



Chipsmall Limited consists of a professional team with an average of over 10 year of expertise in the distribution of electronic components. Based in Hongkong, we have already established firm and mutual-benefit business relationships with customers from,Europe,America and south Asia,supplying obsolete and hard-to-find components to meet their specific needs.

With the principle of "Quality Parts,Customers Priority,Honest Operation,and Considerate Service",our business mainly focus on the distribution of electronic components. Line cards we deal with include Microchip,ALPS,ROHM,Xilinx,Pulse,ON,Everlight and Freescale. Main products comprise IC,Modules,Potentiometer,IC Socket,Relay,Connector.Our parts cover such applications as commercial,industrial, and automotives areas.

We are looking forward to setting up business relationship with you and hope to provide you with the best service and solution. Let us make a better world for our industry!



Contact us

Tel: +86-755-8981 8866 Fax: +86-755-8427 6832

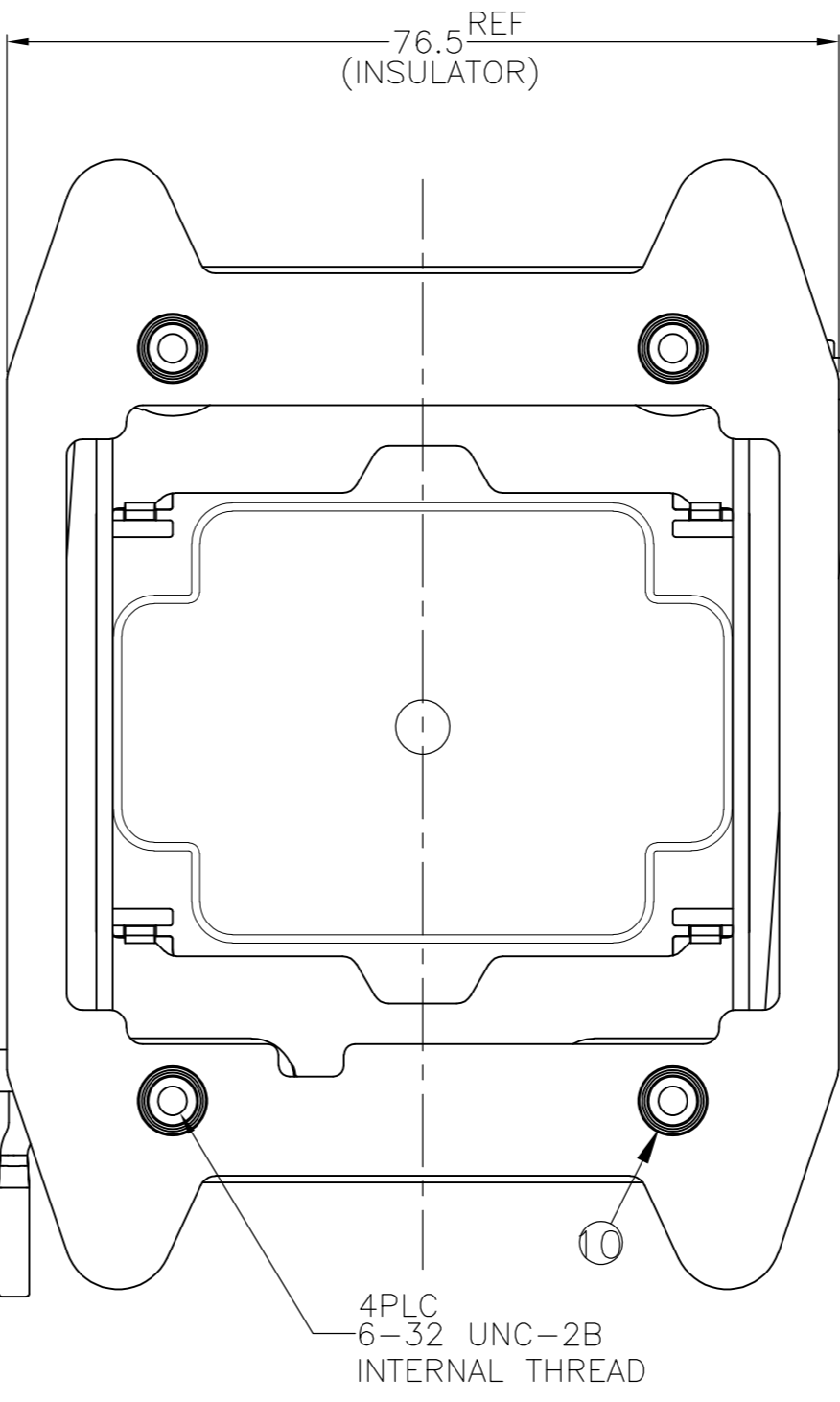
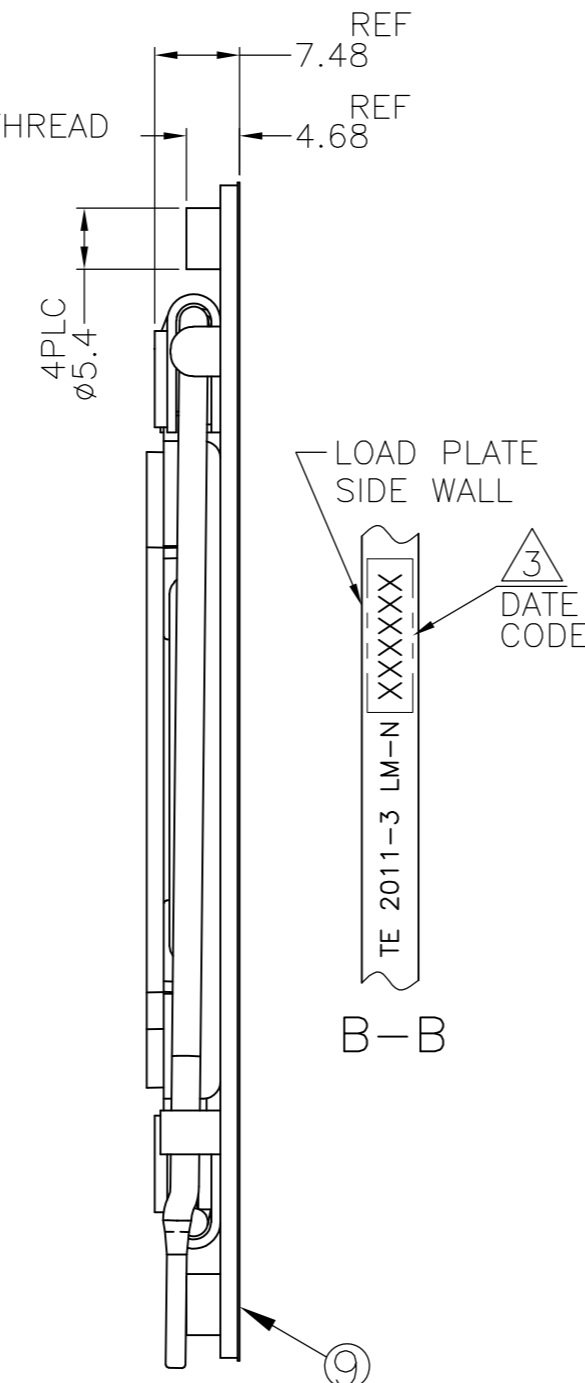
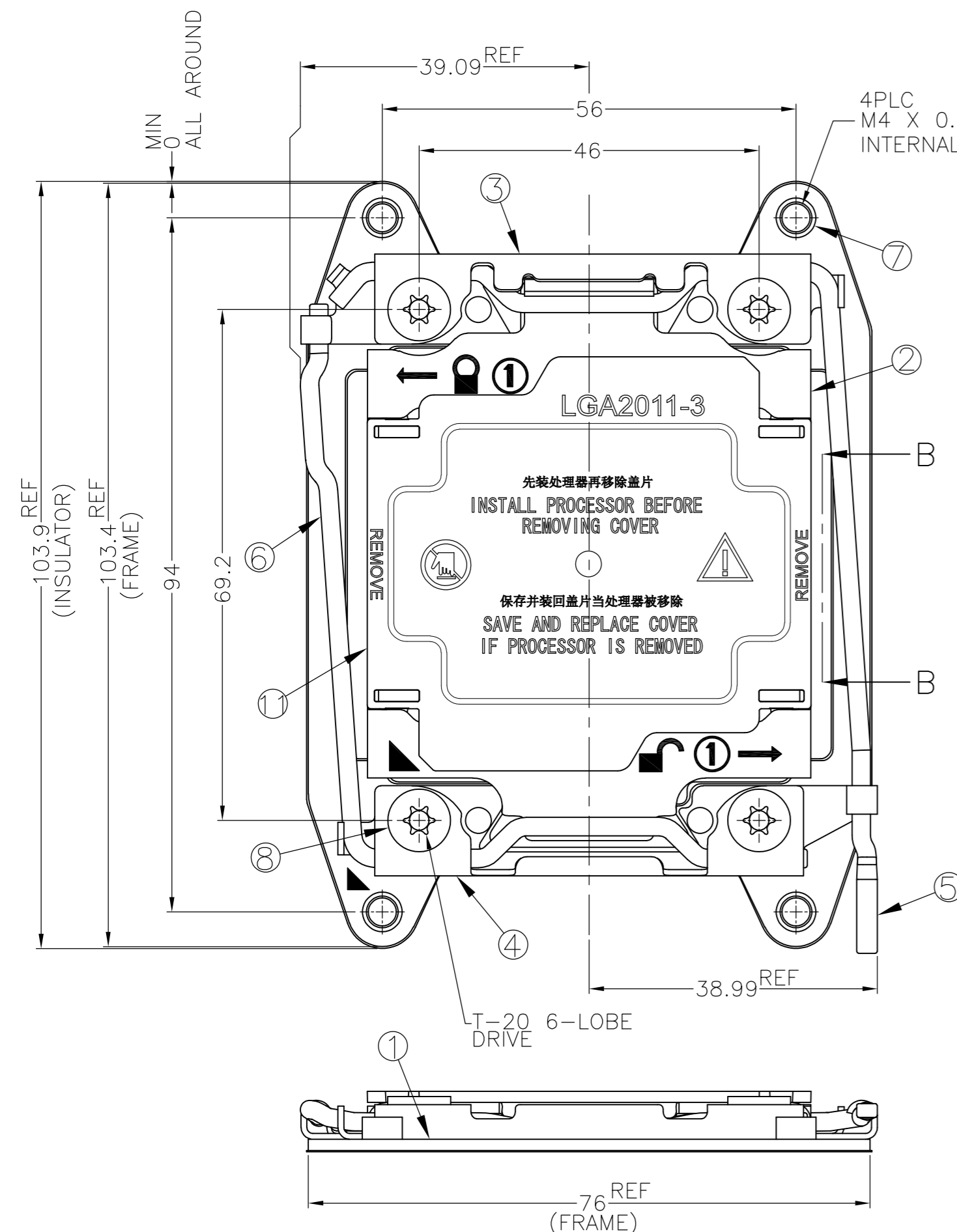
Email & Skype: info@chipsmall.com Web: www.chipsmall.com

Address: A1208, Overseas Decoration Building, #122 Zhenhua RD., Futian, Shenzhen, China



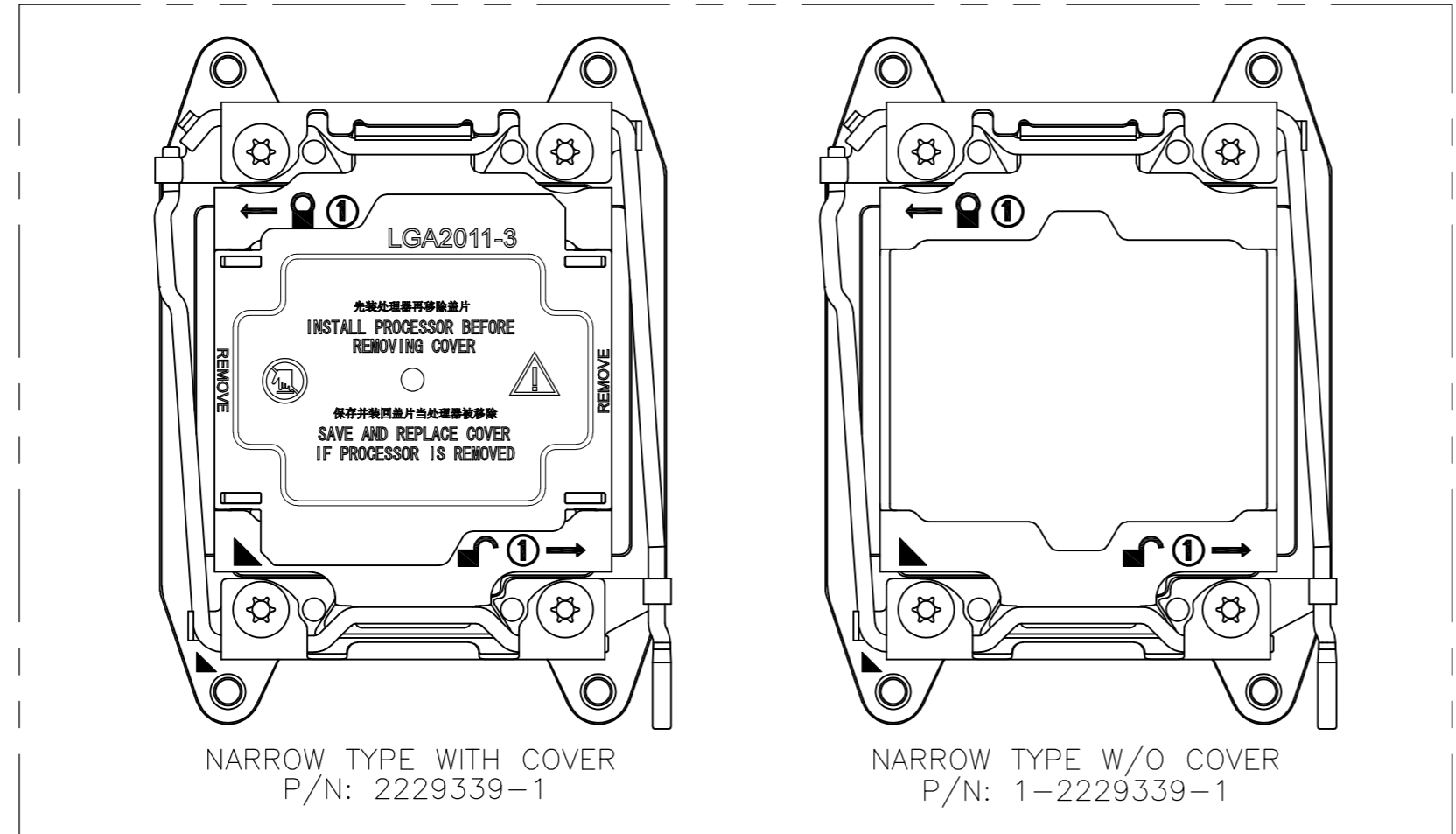
THIS DRAWING IS UNPUBLISHED. RELEASED FOR PUBLICATION APR, 2011.
 © COPYRIGHT 2011 By Tyco Electronics Japan G.K. ALL RIGHTS RESERVED.

LOC J	DIST -	REVISONS				
		P	LTR	DATE	DWN	APVD
		A		RELEASED	29NOV'13	R.Z



- MATERIAL
 - ① FRAME: STAINLESS STEEL
 - ② LOAD PLATE: STAINLESS STEEL
 - ③ HINGE CLEVIS: STAINLESS STEEL
 - ④ ACTIVE CLEVIS: STAINLESS STEEL
 - ⑤ HINGE LEVER: STAINLESS STEEL, 2.5 DIA
 - ⑥ ACTIVE LEVER: STAINLESS STEEL, 2.5 DIA
 - ⑦ HS STUD: CARBON STEEL, FINISH: NI PLATING
 - ⑧ CAPTIVE NUT: CARBON STEEL, FINISH: NI PLATING
 - ⑨ INSULATOR: POLYCARBONATE FILM PLUS ACRYLIC ADHESIVE LAYER
 - ⑩ CAPTIVE NUT COLLAR: CARBON STEEL, FINISH: NI PLATING
 - ⑪ DUST COVER: THERMO-PLASTIC, UL94V-0, BLACK
 - ⑫ RIVET: STAINLESS STEEL
2. APPLICABLE SOCKET P/N: 2201838 SERIES
- △ INDICATED DATE CODE ON THE LOAD PLATE
- △ DO NOT OPEN WITH FORCE FROM OPEN END

P/N: 2229339-1 AS SHOWN (NARROW TYPE WITH COVER)



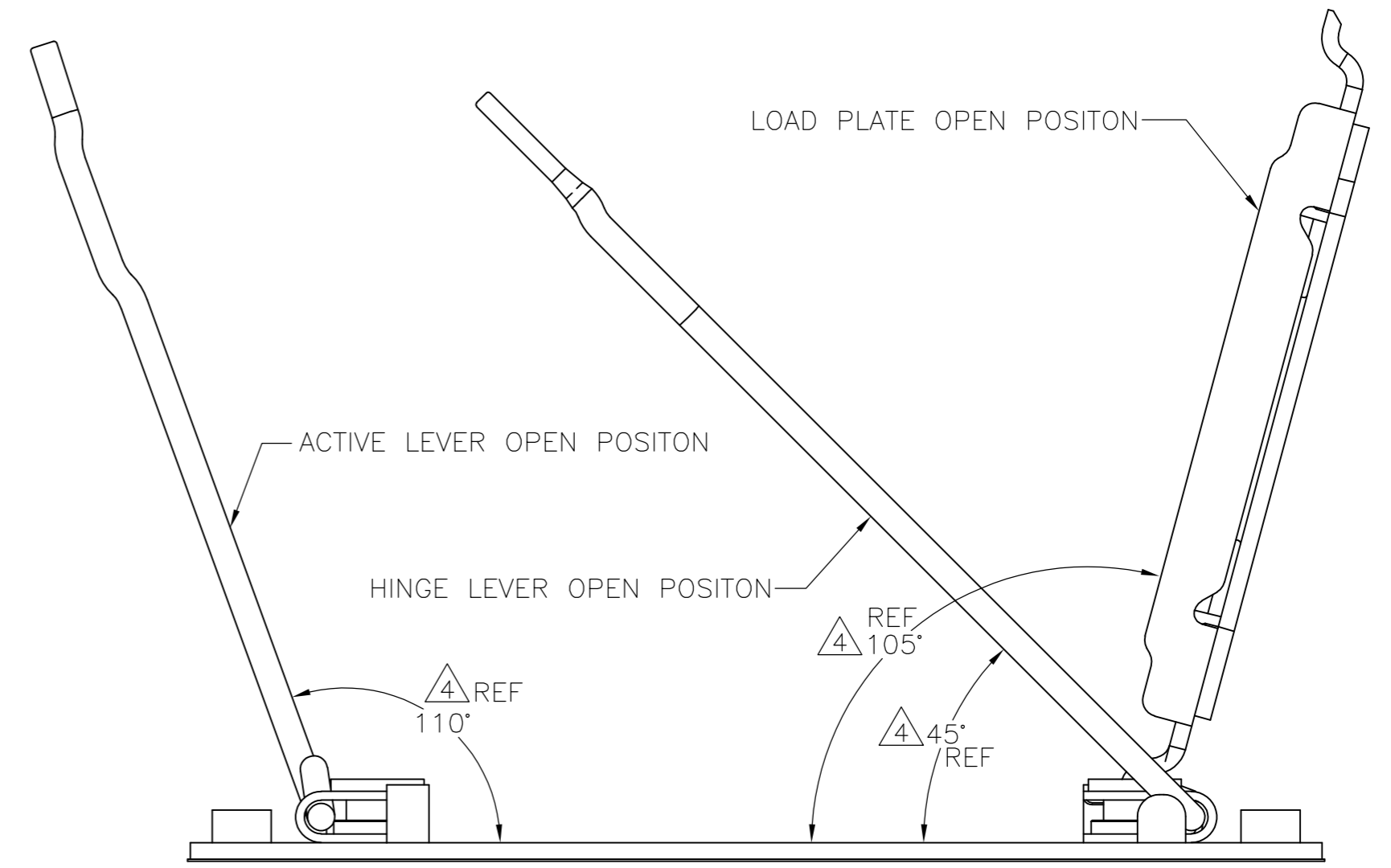
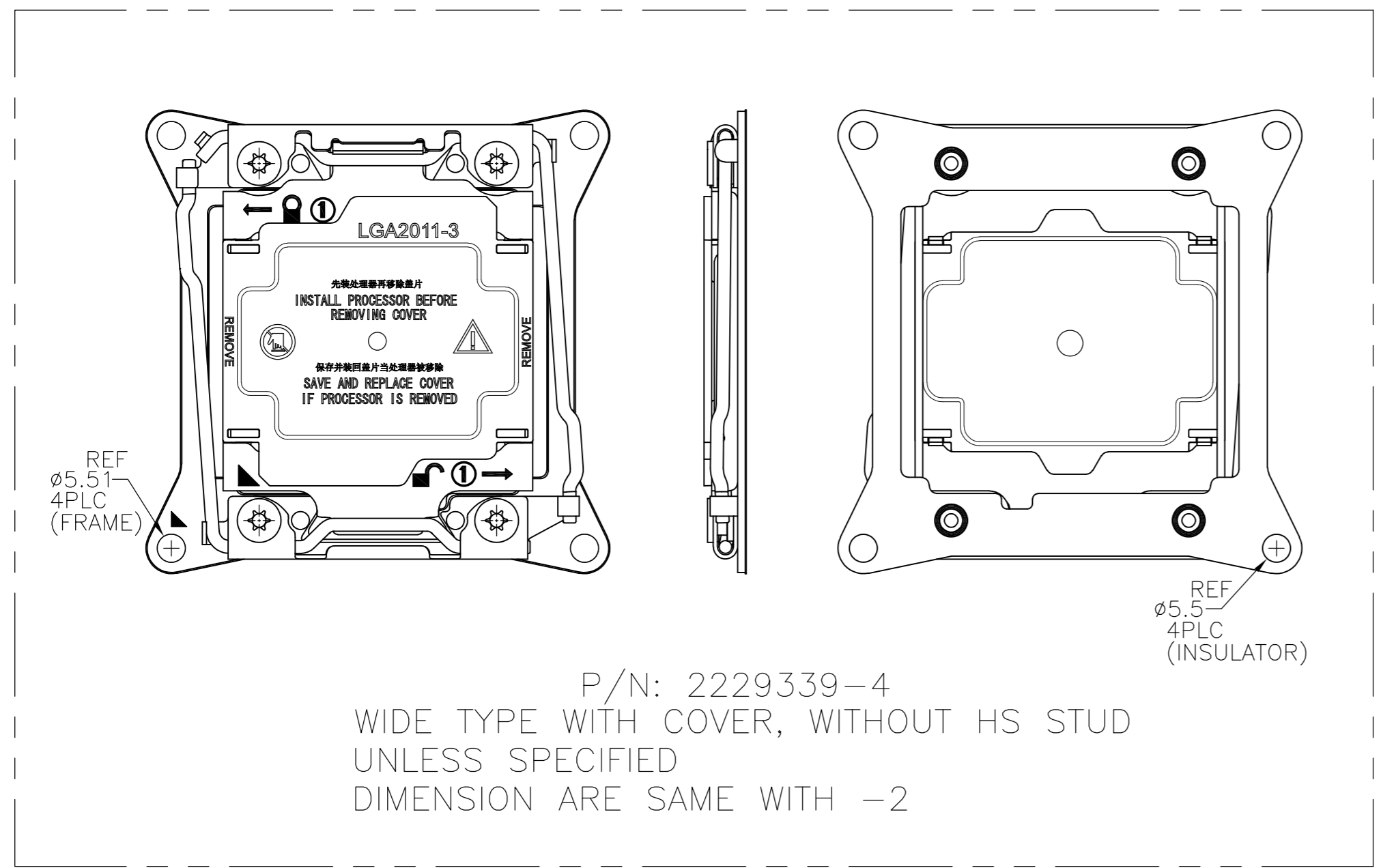
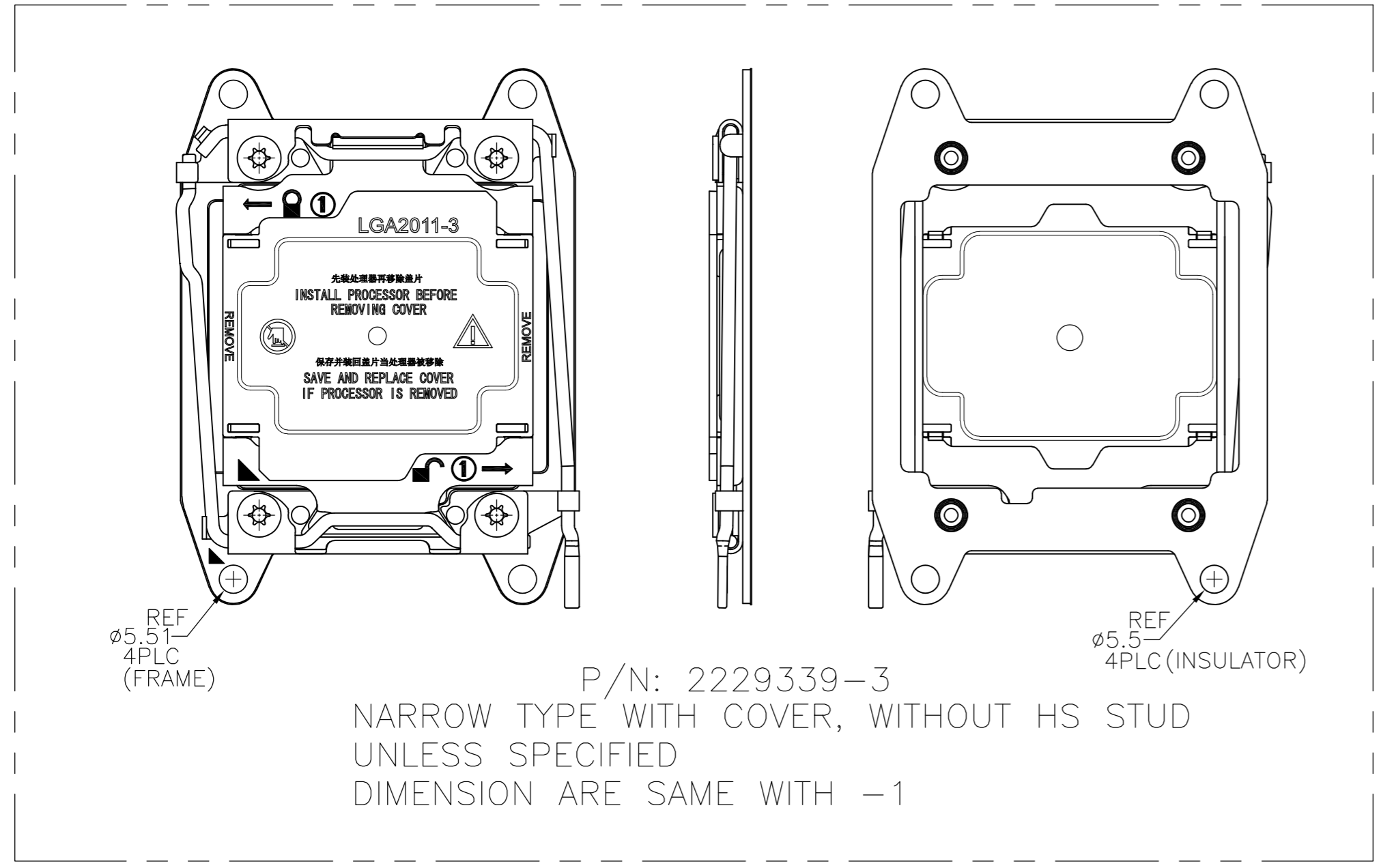
81.2g	WIDE TYPE WITH COVER, W/O HS STUD	2229339-4
81.1g	NARROW TYPE WITH COVER, W/O HS STUD	2229339-3
77.8g	WIDE TYPE W/O COVER	1-2229339-2
82.8g	WIDE TYPE WITH COVER	2229339-2
77.7g	NARROW TYPE W/O COVER	1-2229339-1
82.7g	NARROW TYPE WITH COVER	2229339-1
WEIGHT	DESCRIPTION	P/N

THIS DRAWING IS A CONTROLLED DOCUMENT.

DWN	J.CHEN	27NOV'13	TE Connectivity NAME 名称 ILM ASSY LGA2011-3
CHK	SIMON LI	27NOV'13	
APVD	COREL WANG	29NOV'13	
PRODUCT SPEC	製品規格		
APPLICATION SPEC	取付適用規格		
MATERIAL	材料	WEIGHT	SEE TABLE
DIMENSIONS: 单位: 毫米		TOLERANCES UNLESS OTHERWISE SPECIFIED: 一般公差	
0-PLC ±		±0.3	
1-PLC ±		±0.3	
2-PLC ±		±0.3	
3-PLC ±		±0.3	
4-PLC ±		±0.3	
ANGLES		° ±	
FINISH		仕上	
SIZE	A2	CAGE CODE	00779
DRAWING NO	C=2229339		RESTRICTED TO
SCALE	NTS	SHEET	1 of 3
CUSTOMER DRAWING		REV	A

THIS DRAWING IS UNPUBLISHED. RELEASED FOR PUBLICATION APR , 2011.
 © COPYRIGHT 2011 By Tyco Electronics Japan G.K. ALL RIGHTS RESERVED.

LOC		DIST		REVISIONS				
J		-		我	更	DATE	DWN	APVD
P	LTR	DESCRIPTION			DATE	DWN	APVD	
-	-	SEE SHEET 1			-	-	-	



LEVER AND LOAD PLATE OPEN ANGLES
 THE ACTIVE LEVER MUST OPEN TO A SUFFICIENT ANGLE TO ALLOW THE LOAD PLATE TO OPEN FREELY
 (2229339-1,-2,-3,-4,1-2229339-1,1- -2 AS SHOWN)

THIS DRAWING IS A CONTROLLED DOCUMENT.		DWN	-	TE TE Connectivity	
DIMENSIONS: 单位: 毫米 mm		CHK	-		
TOLERANCES UNLESS OTHERWISE SPECIFIED: 一般公差		APVD	-	NAME 名称	
0-PLC ± 0.3		PRODUCT SPEC 製品規格		ILM ASSY	
1-PLC ± 0.3		APPLICATION SPEC 取付適用規格		LGA2011-3	
2-PLC ± 0.3		WEIGHT		SIZE	A2
3-PLC ± 0.3		CAGE CODE		CAGE CODE	00779
4-PLC ± 0.3		DRAWING NO 番号		DRAWING NO	C=2229339
ANGLES $\pm 3^\circ$		RESTRICTED TO		-	
FINISH 仕上		CUSTOMER DRAWING		SCALE	NTS
MATERIAL 材料		SHEET		3 of 3	
		REV		A	