



Chipsmall Limited consists of a professional team with an average of over 10 year of expertise in the distribution of electronic components. Based in Hongkong, we have already established firm and mutual-benefit business relationships with customers from,Europe,America and south Asia,supplying obsolete and hard-to-find components to meet their specific needs.

With the principle of “Quality Parts,Customers Priority,Honest Operation,and Considerate Service”,our business mainly focus on the distribution of electronic components. Line cards we deal with include Microchip,ALPS,ROHM,Xilinx,Pulse,ON,Everlight and Freescale. Main products comprise IC,Modules,Potentiometer,IC Socket,Relay,Connector.Our parts cover such applications as commercial,industrial, and automotives areas.

We are looking forward to setting up business relationship with you and hope to provide you with the best service and solution. Let us make a better world for our industry!



Contact us

Tel: +86-755-8981 8866 Fax: +86-755-8427 6832

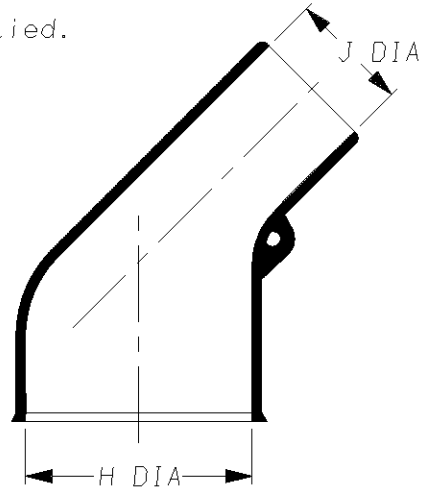
Email & Skype: info@chipsmall.com Web: www.chipsmall.com

Address: A1208, Overseas Decoration Building, #122 Zhenhua RD., Futian, Shenzhen, China



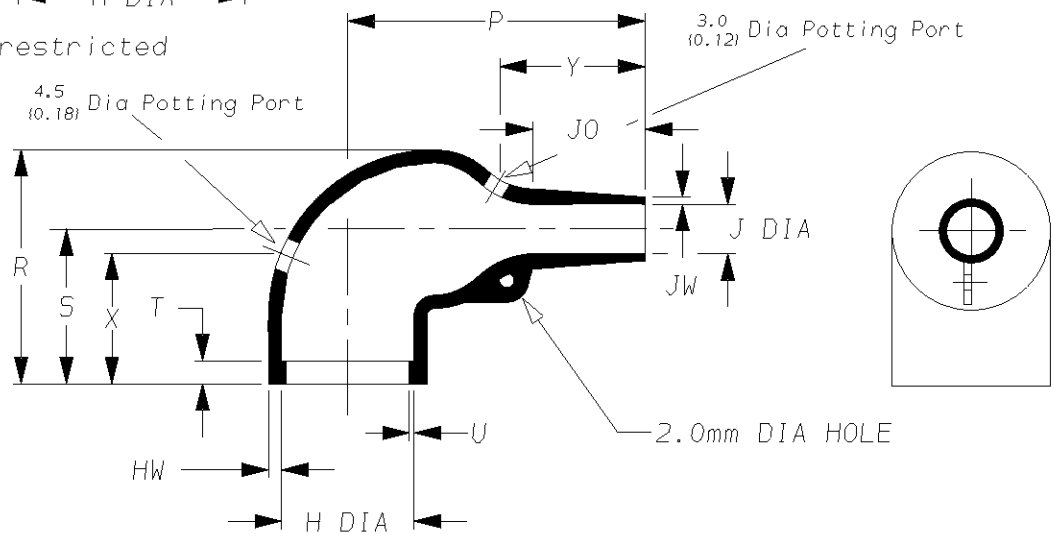
Specification Control Drawing

a) Part as supplied.



222K1**-100

b) Part after unrestricted recovery.


 DIMENSIONS in millimetres
(in inches, for reference)

Part No.	H		J		P	R	S	T	U	J0	HW	JW	X	Y
	Min a	Max b	Min a	Max b	±10% b	±10% b	±10% b	±10% b	±10% b	±10% b	±20% b	±20% b	±20% b	±20% b
222K121	24 (0.94)	10.4 (0.41)	14 (0.55)	5.6 (0.22)	25 (0.98)	25 (0.98)	19 (0.75)	3.0 (0.12)	1.0 (0.04)	8.5 (0.33)	1.3 (0.05)	0.5 (0.02)	18 (0.71)	16 (0.63)
222K132	30 (1.18)	14.2 (0.56)	15 (0.59)	5.9 (0.23)	32 (1.26)	27 (1.06)	20 (0.79)	3.0 (0.12)	1.0 (0.04)	8.5 (0.33)	1.5 (0.06)	0.8 (0.03)	18 (0.71)	20 (0.79)
222K142	31 (1.22)	18.0 (0.71)	18 (0.71)	7.1 (0.28)	39 (1.54)	31 (1.22)	21 (0.83)	3.0 (0.12)	1.0 (0.04)	15.0 (0.59)	1.8 (0.07)	1.0 (0.04)	18 (0.71)	20 (0.79)
222K152	36 (1.42)	22.4 (0.88)	21 (0.83)	8.4 (0.33)	46 (1.81)	38 (1.50)	26 (1.02)	3.0 (0.12)	1.0 (0.04)	16.0 (0.63)	1.8 (0.07)	1.0 (0.04)	25 (0.98)	25 (0.98)
222K163	43 (1.69)	28.2 (1.11)	25 (0.98)	9.9 (0.39)	55 (2.17)	45 (1.77)	30 (1.18)	3.0 (0.12)	1.7 (0.07)	17.5 (0.69)	2.0 (0.08)	1.0 (0.04)	25 (0.98)	30 (1.18)
222K174	52 (2.05)	35.1 (1.38)	39 (1.54)	15.7 (0.62)	80 (3.15)	54 (2.13)	35 (1.38)	3.0 (0.12)	1.7 (0.07)	32.0 (1.26)	3.3 (0.13)	1.5 (0.06)	25 (0.98)	45 (1.77)
222K185	66 (2.60)	44.5 (1.75)	42 (1.65)	16.8 (0.66)	108 (4.25)	68 (2.68)	42 (1.65)	3.0 (0.12)	2.0 (0.08)	48.0 (1.89)	3.8 (0.15)	2.0 (0.08)	35 (1.38)	70 (2.76)

Drawn A.LILLEY. Checked

Issue 5

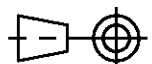
Date April 2008

Conforms to ISO Recommendations

 Approval
Design

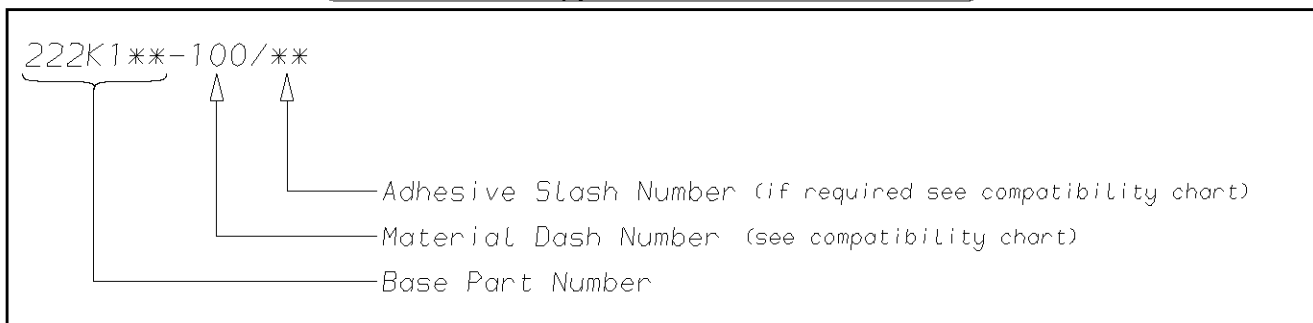
MKTG.

Tech.

 3rd Angle Projection
Not to Scale


TE TE Connectivity		Specification Control Drawing	Part Number 222K1**-100	Issue 5
Iss.	Date	E.C.R. No.	Details of Change	
3	December 1985	****	Redrawn	
4	April 2008	CR06-HM-012	Imperial dimensions added Drawing title was 222K121-100 to 222K185-100	

(Ordering Information)



(COMPATIBILITY CHART)

Material Dash Number	Material Description	SPEC Number	Coating Slash Number
-100	ZEROHAL	RW-2058	/86, (see note 2)

NOTES

- ① Potting Ports are optional, when specified by suffix "-00" they will be located as shown.
- ② ZEROHAL is a trademark of TE Connectivity
- ③ As supplied dimensions are for uncoated parts, when coating is added entry diameters will reduce by 1.5mm Max.

TE Connectivity Faraday Road, Swindon, Wiltshire, SN3 5HH England Telephone: (01793) 528171 Fax: 572516	TE Connectivity 300, Constitution Drive, Menlo Park, CA 94025 USA Telephone (650) 361-3860 Fax: (650) 361-5579
Cage Code K1010	Cage Code 06090