



Chipsmall Limited consists of a professional team with an average of over 10 year of expertise in the distribution of electronic components. Based in Hongkong, we have already established firm and mutual-benefit business relationships with customers from,Europe,America and south Asia,supplying obsolete and hard-to-find components to meet their specific needs.

With the principle of “Quality Parts,Customers Priority,Honest Operation,and Considerate Service”,our business mainly focus on the distribution of electronic components. Line cards we deal with include Microchip,ALPS,ROHM,Xilinx,Pulse,ON,Everlight and Freescale. Main products comprise IC,Modules,Potentiometer,IC Socket,Relay,Connector.Our parts cover such applications as commercial,industrial, and automotives areas.

We are looking forward to setting up business relationship with you and hope to provide you with the best service and solution. Let us make a better world for our industry!



Contact us

Tel: +86-755-8981 8866 Fax: +86-755-8427 6832

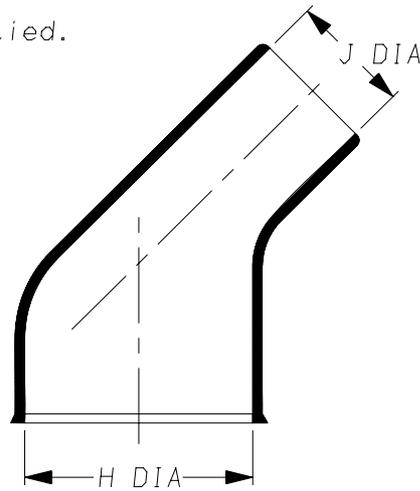
Email & Skype: info@chipsmall.com Web: www.chipsmall.com

Address: A1208, Overseas Decoration Building, #122 Zhenhua RD., Futian, Shenzhen, China

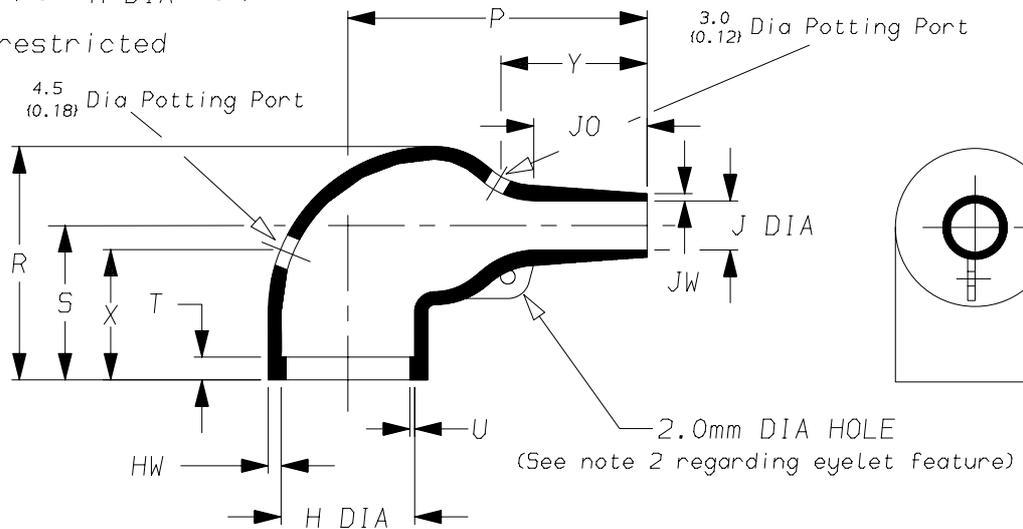


a) Part as supplied.

222K1**-12



b) Part after unrestricted recovery.



DIMENSIONS in millimetres
(in inches, for reference)

Part No.	H		J		P	R	S	T	U	J0	HW	JW	X	Y
	Min a	Max b	Min a	Max b	±10% b	±10% b	±10% b	±10% b	±10% b	±10% b	±20% b	±20% b	±20% b	±20% b
222K121	24 (0.94)	10.4 (0.41)	14 (0.55)	5.6 (0.22)	25 (0.98)	25 (0.98)	19 (0.75)	3.0 (0.12)	1.0 (0.04)	8.5 (0.33)	1.3 (0.05)	0.5 (0.02)	18 (0.71)	16 (0.63)
222K132	30 (1.18)	14.2 (0.56)	15 (0.59)	5.9 (0.23)	32 (1.26)	27 (1.06)	20 (0.79)	3.0 (0.12)	1.0 (0.04)	8.5 (0.33)	1.5 (0.06)	0.8 (0.03)	18 (0.71)	20 (0.79)
222K142	31 (1.22)	18.0 (0.71)	18 (0.71)	7.1 (0.28)	39 (1.54)	31 (1.22)	21 (0.83)	3.0 (0.12)	1.0 (0.04)	15.0 (0.59)	1.8 (0.07)	1.0 (0.04)	18 (0.71)	20 (0.79)
222K152	36 (1.42)	22.4 (0.88)	21 (0.83)	8.4 (0.33)	46 (1.81)	38 (1.50)	26 (1.02)	3.0 (0.12)	1.0 (0.04)	16.0 (0.63)	1.8 (0.07)	1.0 (0.04)	25 (0.98)	25 (0.98)
222K163	43 (1.69)	28.2 (1.11)	25 (0.98)	9.9 (0.39)	55 (2.17)	45 (1.77)	30 (1.18)	3.0 (0.12)	1.7 (0.07)	17.5 (0.69)	2.0 (0.08)	1.0 (0.04)	25 (0.98)	30 (1.18)
222K174	60 (2.36)	35.1 (1.38)	39 (1.54)	15.7 (0.62)	80 (3.15)	54 (2.13)	35 (1.38)	3.0 (0.12)	1.7 (0.07)	32.0 (1.26)	3.3 (0.13)	1.5 (0.06)	25 (0.98)	45 (1.77)
222K185	66 (2.60)	44.5 (1.75)	42 (1.65)	16.8 (0.66)	108 (4.25)	68 (2.68)	42 (1.65)	3.0 (0.12)	2.0 (0.08)	48.0 (1.89)	3.8 (0.15)	2.0 (0.08)	35 (1.38)	70 (2.76)

Copyright (!)

The copyright in this drawing is the property of Tyco Electronics UK Ltd. The drawing is issued on the condition that it is not copied, reproduced or disclosed to a third party, either in whole or in part without the prior written consent of Tyco Electronics UK Ltd.

Drawn A.LILLEY. Checked

Issue 10 Date March 2008

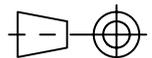
Conforms to ISO Recommendations

Approval
Design

MKTG.

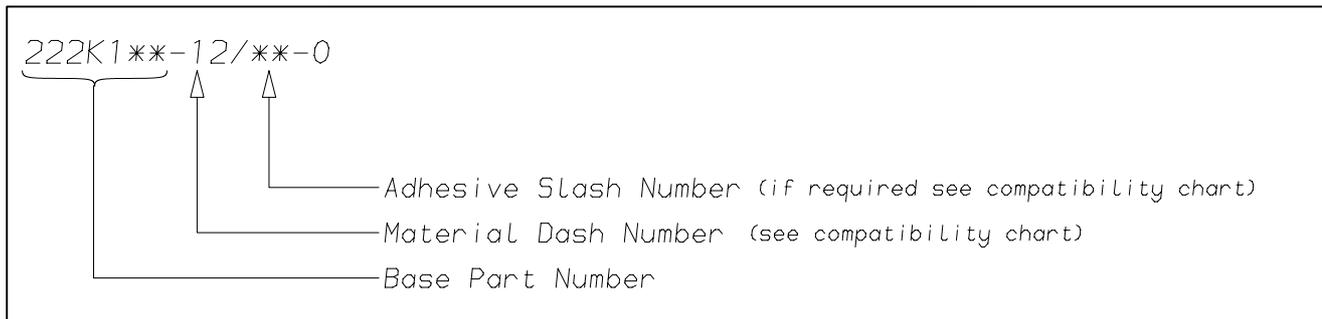
Tech.

3rd Angle Projection
Not to Scale



Raychem		Specification Control Drawing	Part Number 222K1**-12	Issue 10
Iss.	Date	E.C.R. No.	Details of Change	
8	September 1990	H0004	222K174 Ha was 52	
9	October 2006	CR06-HM-011	Eyelet note added to page 1	
9	October 2006	CR06-DM-104	Material description name changed	
10	March 2008	CR08-HM-008	222K185 was typed as 202K185	

(Ordering Information)



(COMPATIBILITY CHART)

Material Dash Number	Material Description	SPEC Number	Coating Slash Number
-12	FLUOROELASTOMER, FLEXIBLE	RT-1312,	/225

NOTES

- ① Potting Ports are optional, when specified by suffix "-00" they will be located as shown.
- ② If eyelet feature is required, add CS-1863 to description:-
222K132-12-CS-1836-0
If eyelet feature and clip is required, add CS-1858 to description:-
222K132-12-CS-1858-0
- ③ As supplied dimensions are for uncoated parts, when coating is added entry diameters will reduce by 1.5mm Max.

Tyco Electronics UK Ltd. Faraday Road, Swindon, Wiltshire, SN3 5HH England Telephone: (01793) 528171 Fax: 572516	Tyco Electronics Corporation 300, Constitution Drive, Menlo Park, CA 94025 USA Telephone (650) 361-3860 Fax: (650) 361-5579
Cage Code K1010	Cage Code 06090