



Chipsmall Limited consists of a professional team with an average of over 10 year of expertise in the distribution of electronic components. Based in Hongkong, we have already established firm and mutual-benefit business relationships with customers from,Europe,America and south Asia,supplying obsolete and hard-to-find components to meet their specific needs.

With the principle of “Quality Parts,Customers Priority,Honest Operation,and Considerate Service”,our business mainly focus on the distribution of electronic components. Line cards we deal with include Microchip,ALPS,ROHM,Xilinx,Pulse,ON,Everlight and Freescale. Main products comprise IC,Modules,Potentiometer,IC Socket,Relay,Connector.Our parts cover such applications as commercial,industrial, and automotives areas.

We are looking forward to setting up business relationship with you and hope to provide you with the best service and solution. Let us make a better world for our industry!



Contact us

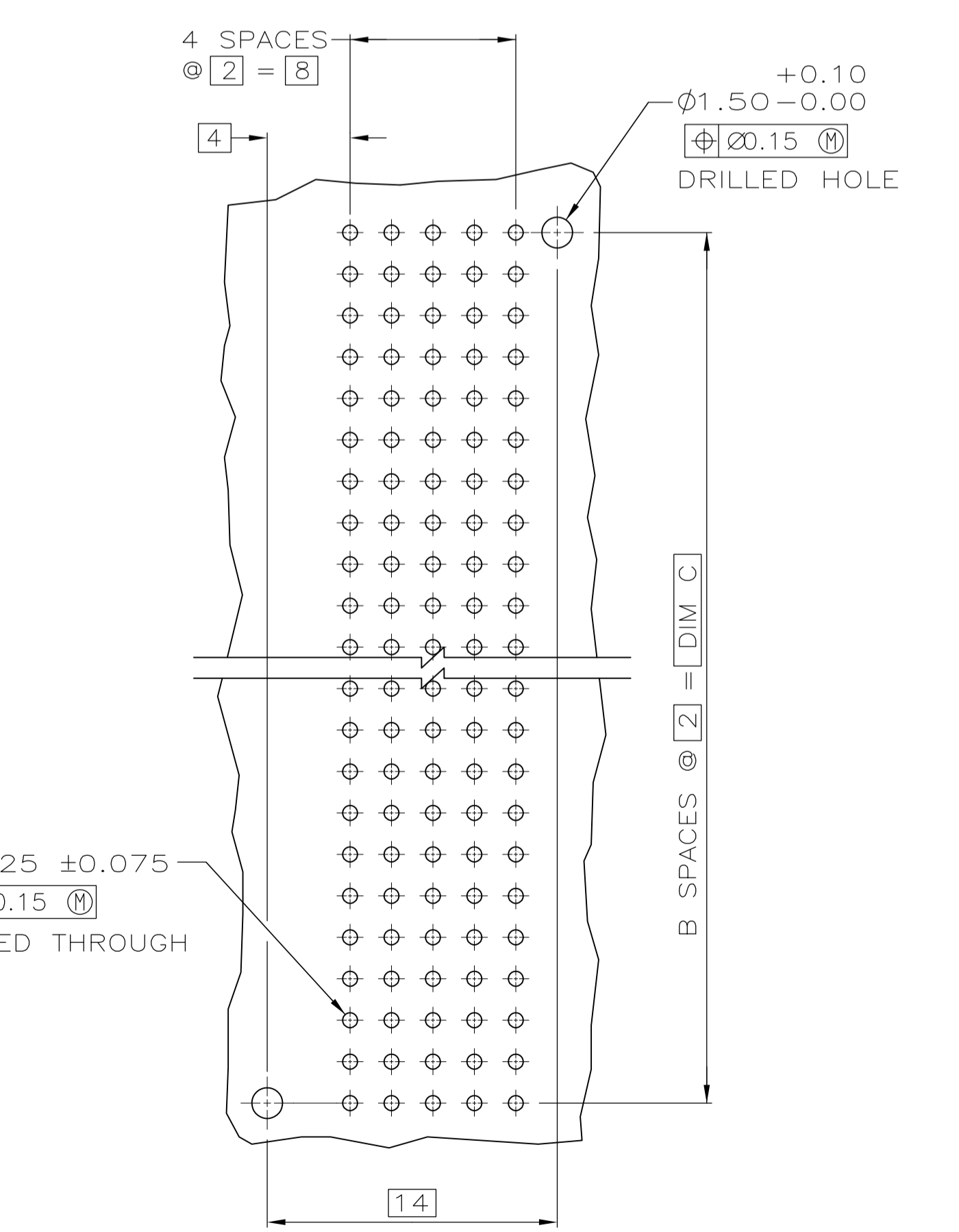
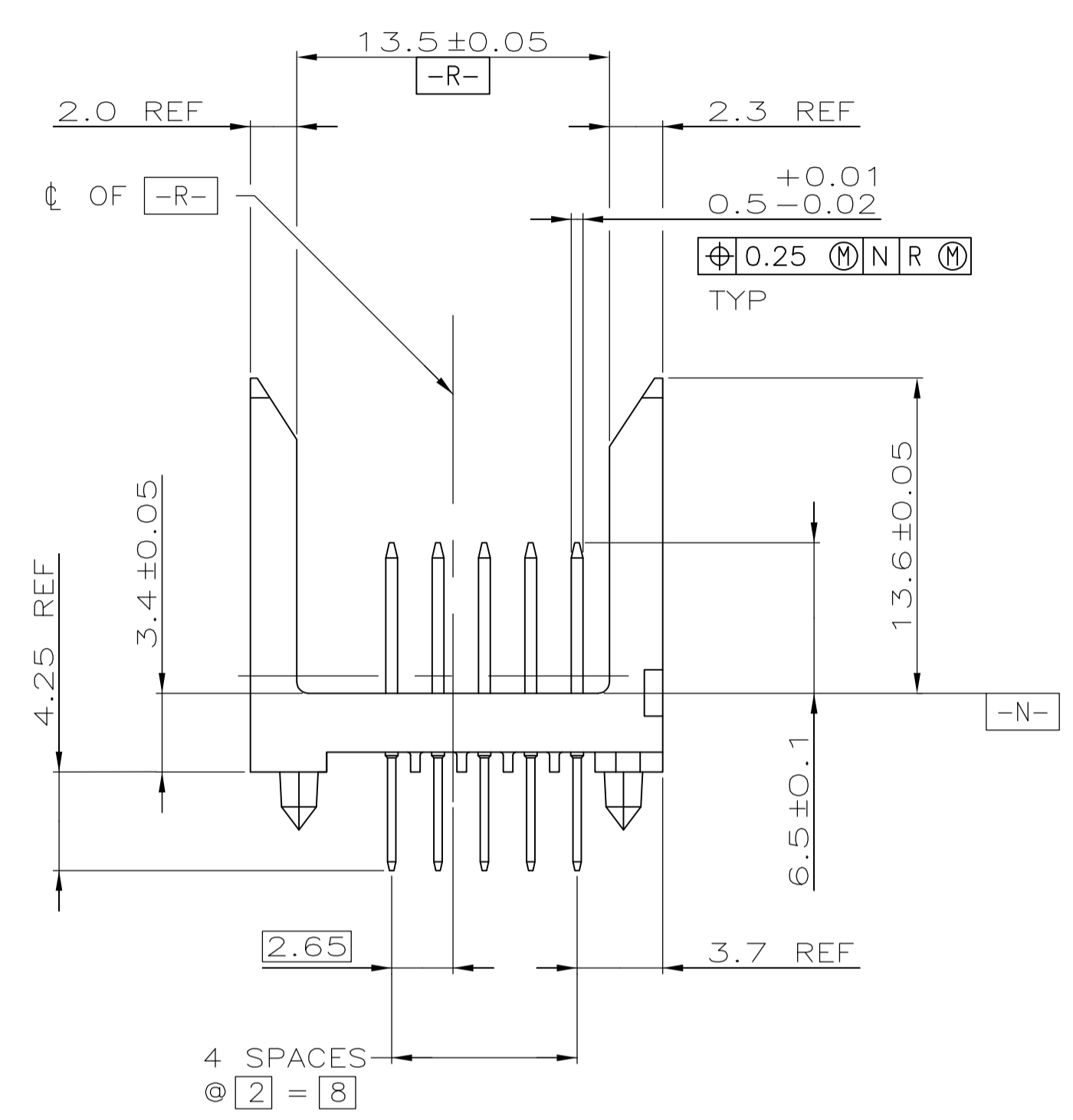
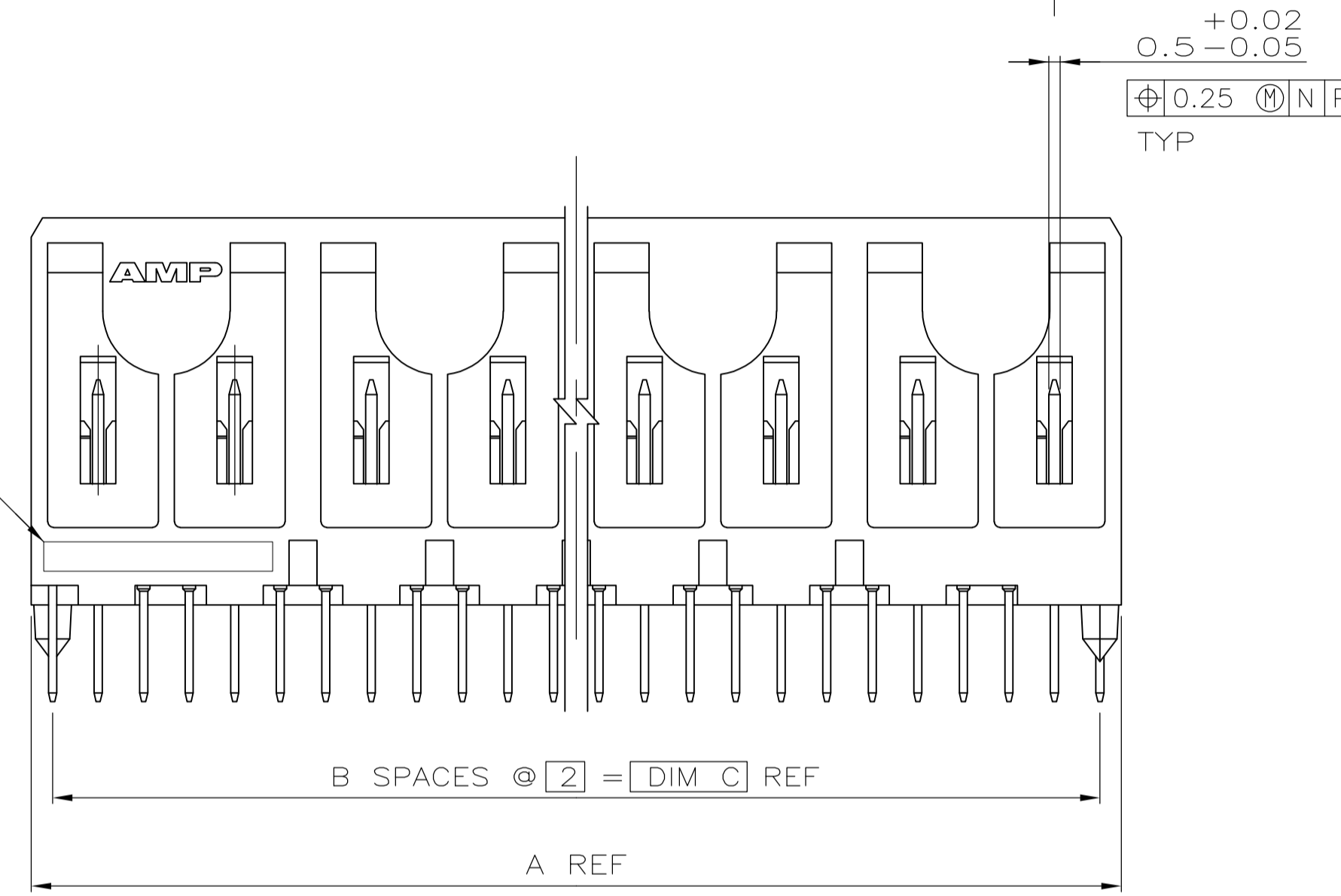
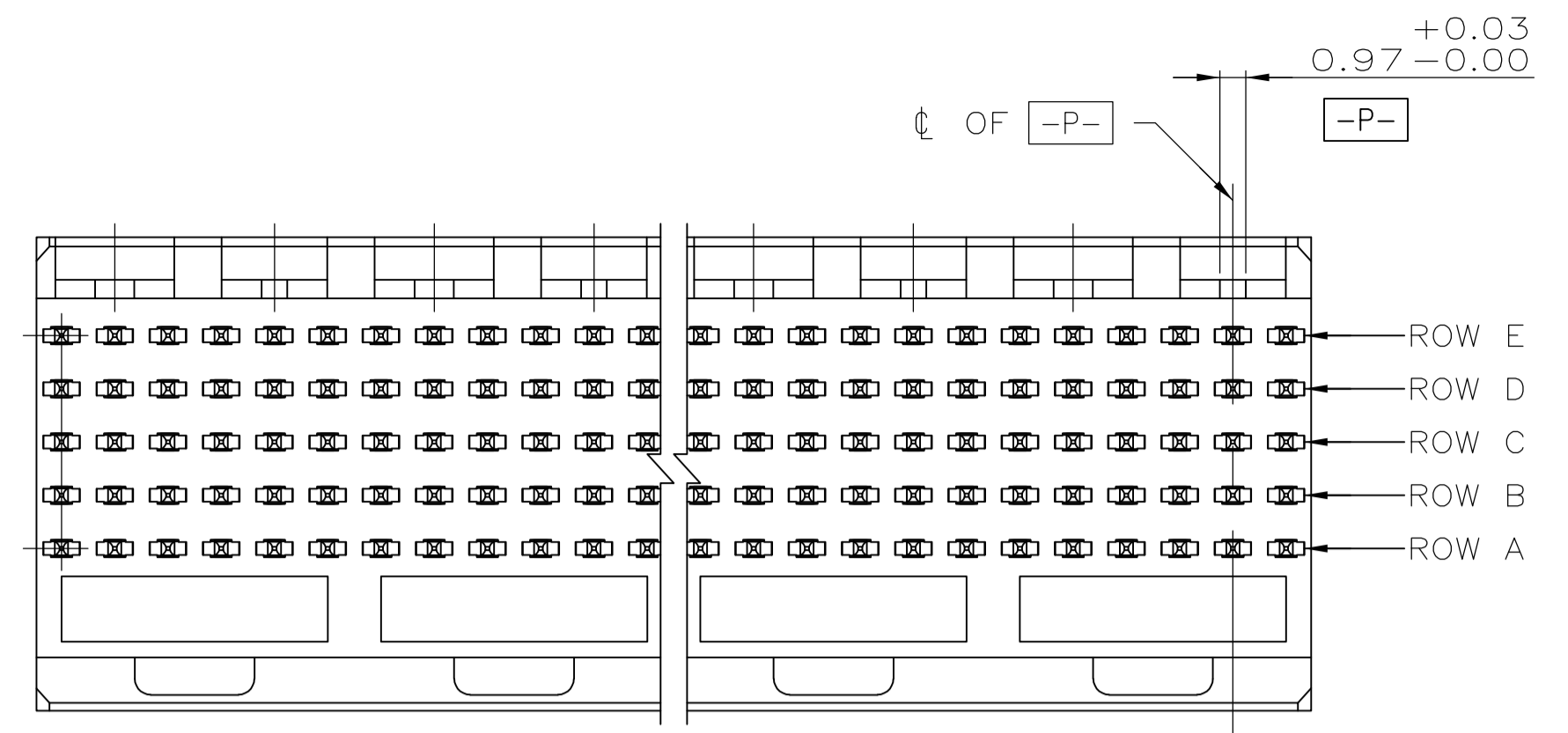
Tel: +86-755-8981 8866 Fax: +86-755-8427 6832

Email & Skype: info@chipsmall.com Web: www.chipsmall.com

Address: A1208, Overseas Decoration Building, #122 Zhenhua RD., Futian, Shenzhen, China

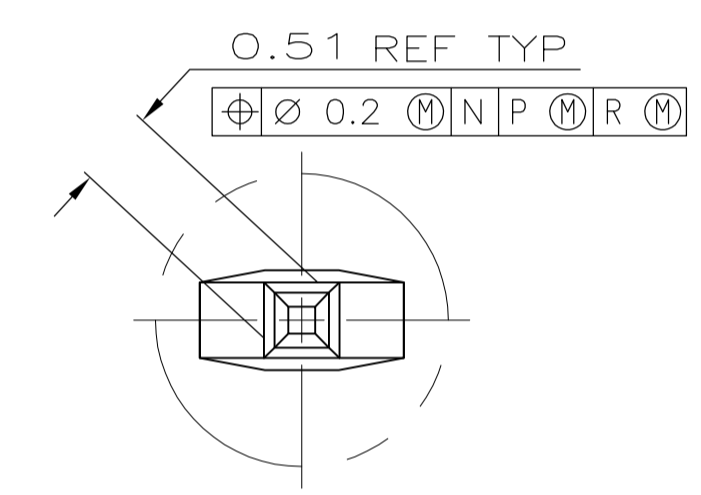


| LOC | | DIST | | REVISIONS | | | |
|-----|-----|---------------------------|-----------|-----------|------|--|--|
| P | LTR | DESCRIPTION | DATE | DMN | APVD | | |
| H1 | | REVISED PER ECR-08-032448 | 19DEC2008 | S.W | S.Y | | |
| J | | REVISED PER ECO-15-003999 | 13MAR15 | D.S.F. | Y | | |

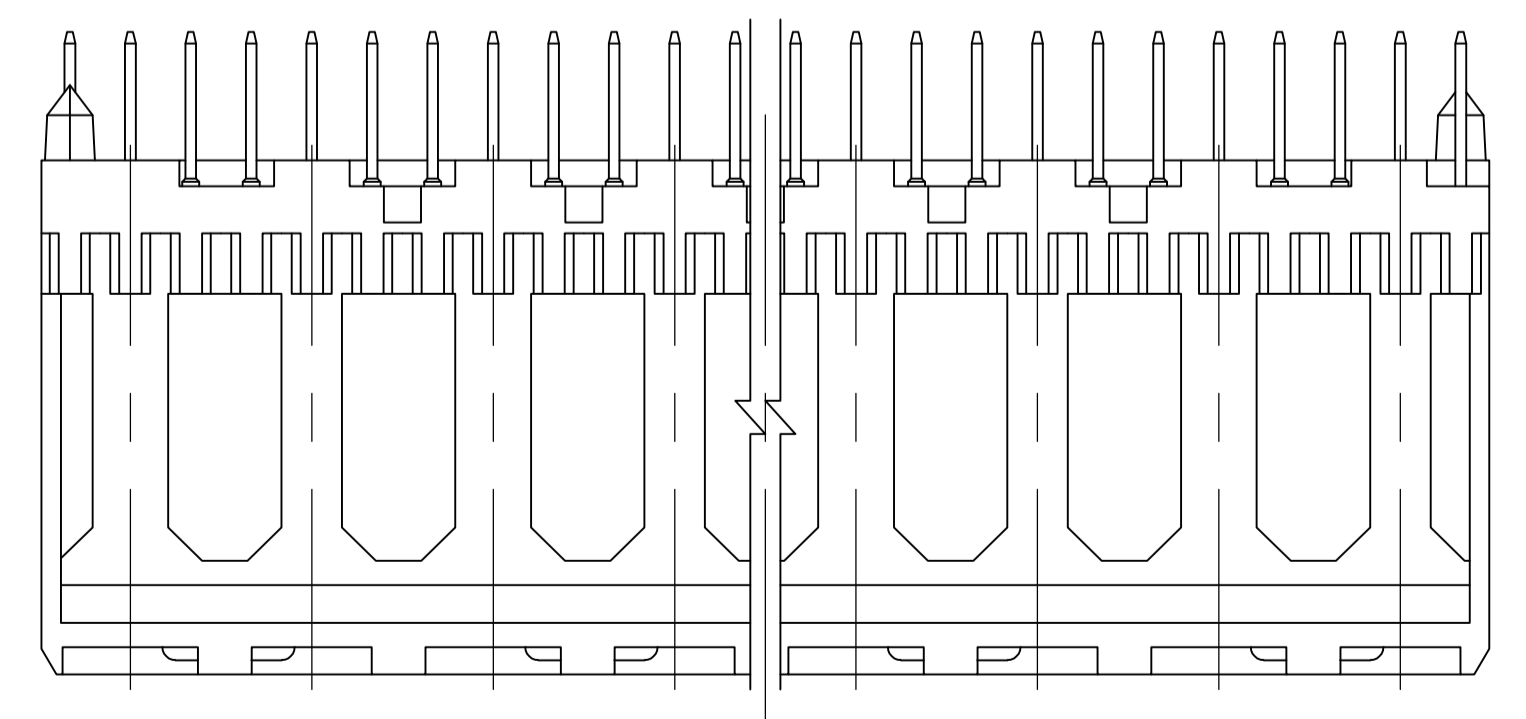
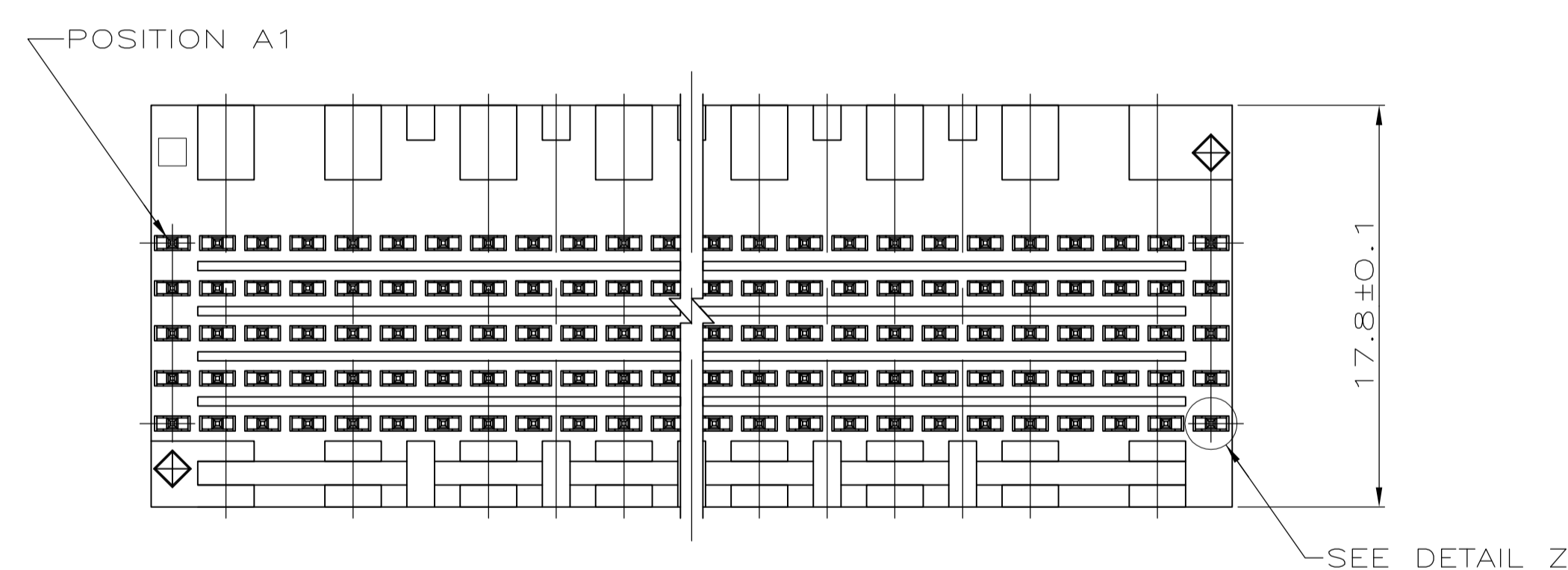


RECOMMENDED CIRCUIT PATTERN (COMPONENT SIDE)

- 1 HOUSING MATERIAL: LIQUID CRYSTAL POLYMER
COLOR: NATURAL.
- 2 CONTACT MATERIAL: PHOSPHOR BRONZE
- 3 CONTACT FINISH:
UNDERPLATE (ENTIRE CONTACT):
0.00127 MIN NICKEL.
ON MATING SURFACES:
CONFORMS TO ALL TESTING SPECIFIED FOR TELCORDIA UNCONTROLLED ENVIRONMENT.
ON LEADS
0.00381 MIN TIN-LEAD OVER UNDERPLATE.
LUBRICATION (ENTIRE CONTACT):
SURFACE CONDITIONER PER AMP SPEC 112-1002 AFTER PLATING.
- 4 PART MARKING LOCATED APPROXIMATELY AS SHOWN.
- 5 OBSOLETE PARTS: OBSOLETE CIS STREAMLINING PER D.RENAUD/D.SINISI



DETAIL Z
SCALE 20:1



| | C | B | A | FINISH | NO OF SIGNAL POSN | PART NUMBER |
|---------------------------|-----|----|--------|--------|-------------------|-------------|
| 5 OBSOLETE | 130 | 65 | 131.88 | 3 | 330 | 1-223000-1 |
| OBSOLETE | 118 | 59 | 119.88 | 3 | 300 | 1-223000-0 |
| 5 OBSOLETE | 106 | 53 | 107.88 | 3 | 270 | 223000-9 |
| 5 SUPERSEDED BY 5223000-8 | 94 | 47 | 95.88 | 3 | 240 | 223000-8 |
| 5 OBSOLETE | 82 | 41 | 83.88 | 3 | 210 | 223000-7 |
| SUPERSEDED | 70 | 35 | 71.88 | 3 | 180 | 223000-6 |
| | 58 | 29 | 59.88 | 3 | 150 | 223000-5 |
| | 46 | 23 | 47.88 | 3 | 120 | 223000-4 |
| | 34 | 17 | 35.88 | 3 | 90 | 223000-3 |
| OBSOLETE | 22 | 11 | 23.88 | 3 | 60 | 223000-2 |
| | 10 | 5 | 11.88 | 3 | 30 | 223000-1 |

THIS DRAWING IS A CONTROLLED DOCUMENT.

DIN R BUCHHEISTER 10/JAN/96
CHK D BAECHTLE 11/JAN/96
APVD D SINISI 11/JAN/96

STE TE Connectivity

ASSEMBLY, PIN, SIGNAL, VERTICAL, Z-PACK 2mm FB, 5 ROW, SOLDER LEAD

SIZE: A1 CASE CODE: 00779 DRAWING NO: 223000

RESTRICTED TO: CUSTOMER DRAWING SCALE: 4:1 SHEET: 1 OF 1 REV: J