



Chipsmall Limited consists of a professional team with an average of over 10 year of expertise in the distribution of electronic components. Based in Hongkong, we have already established firm and mutual-benefit business relationships with customers from,Europe,America and south Asia,supplying obsolete and hard-to-find components to meet their specific needs.

With the principle of “Quality Parts,Customers Priority,Honest Operation,and Considerate Service”,our business mainly focus on the distribution of electronic components. Line cards we deal with include Microchip,ALPS,ROHM,Xilinx,Pulse,ON,Everlight and Freescale. Main products comprise IC,Modules,Potentiometer,IC Socket,Relay,Connector.Our parts cover such applications as commercial,industrial, and automotives areas.

We are looking forward to setting up business relationship with you and hope to provide you with the best service and solution. Let us make a better world for our industry!



Contact us

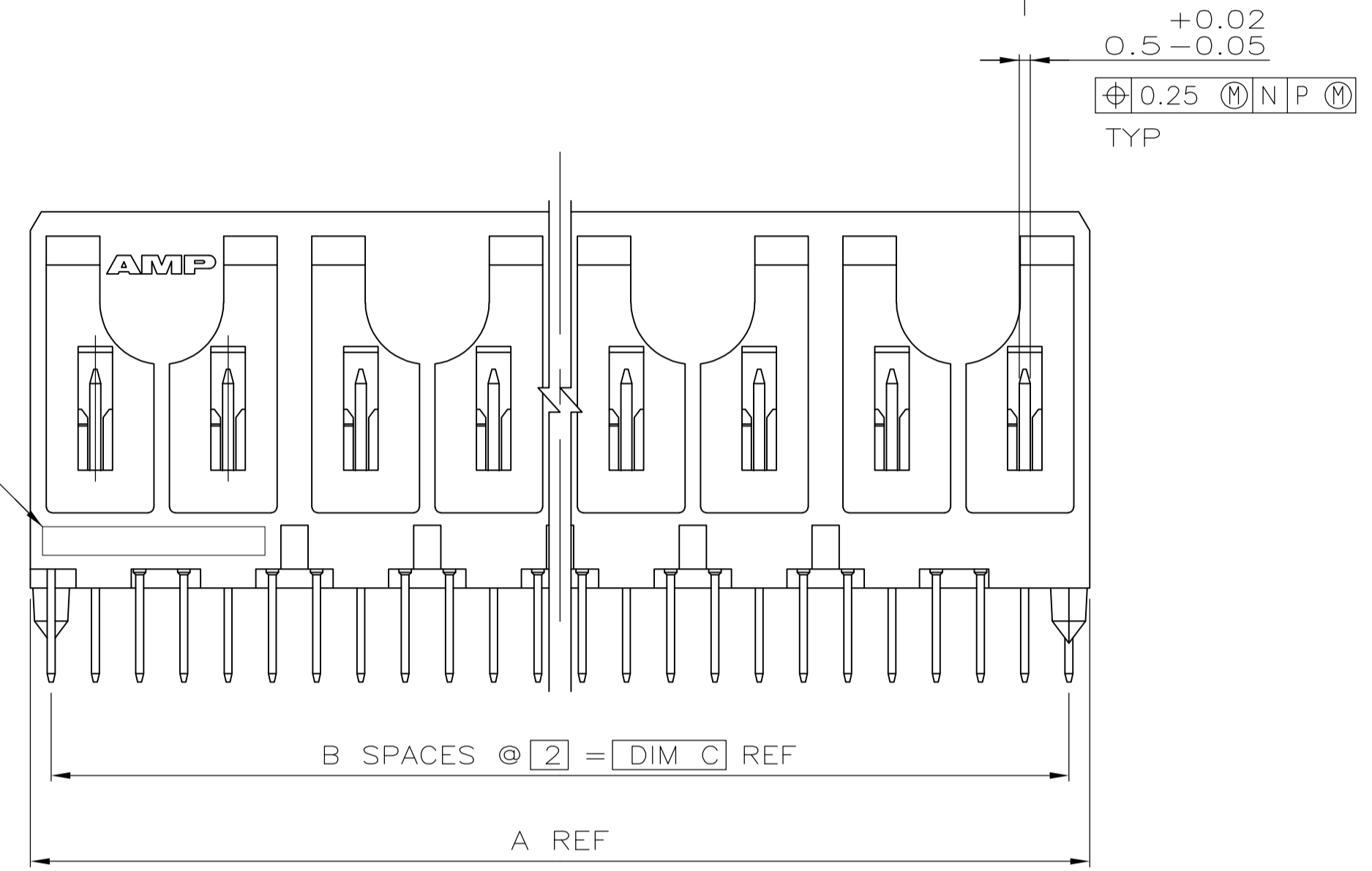
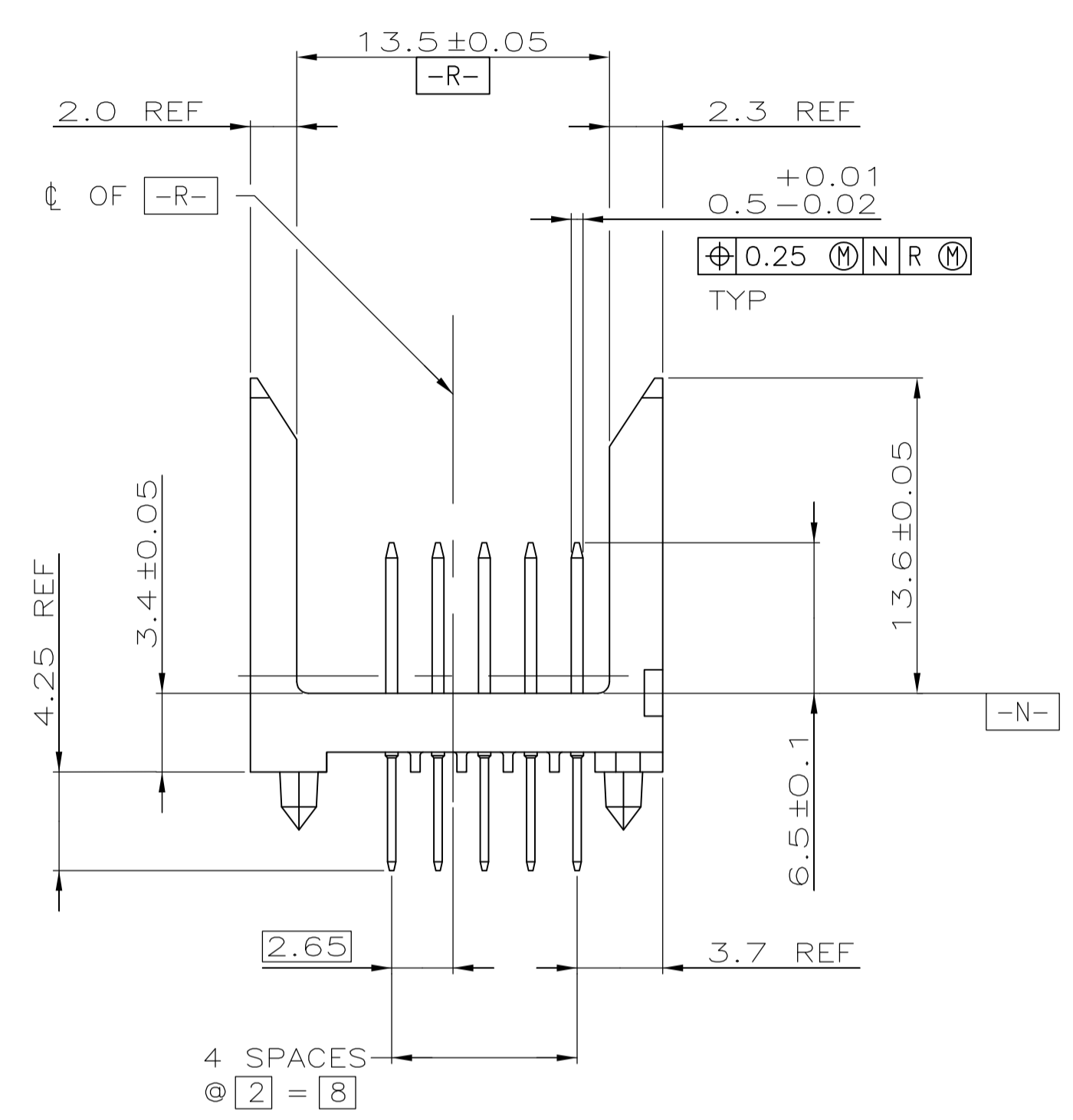
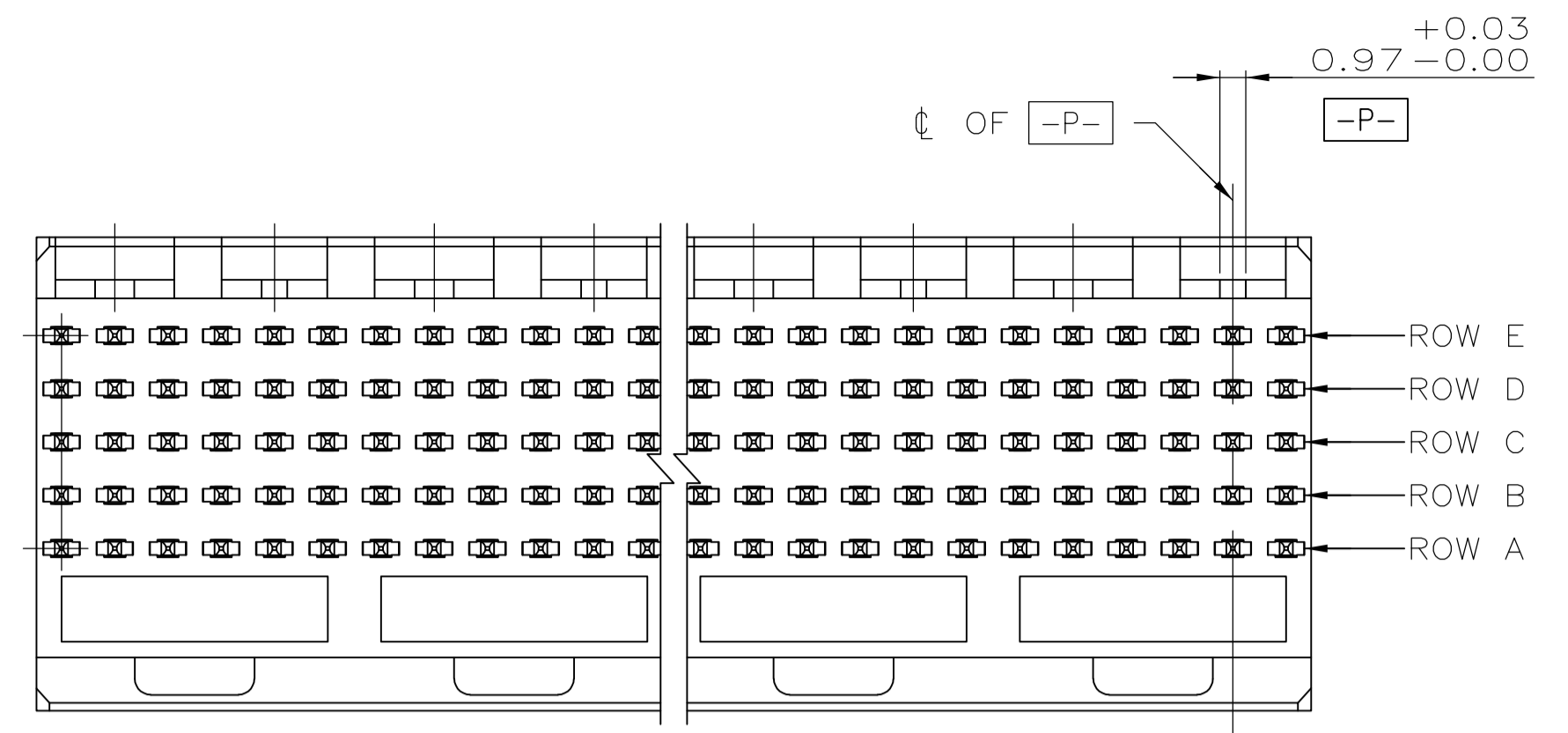
Tel: +86-755-8981 8866 Fax: +86-755-8427 6832

Email & Skype: info@chipsmall.com Web: www.chipsmall.com

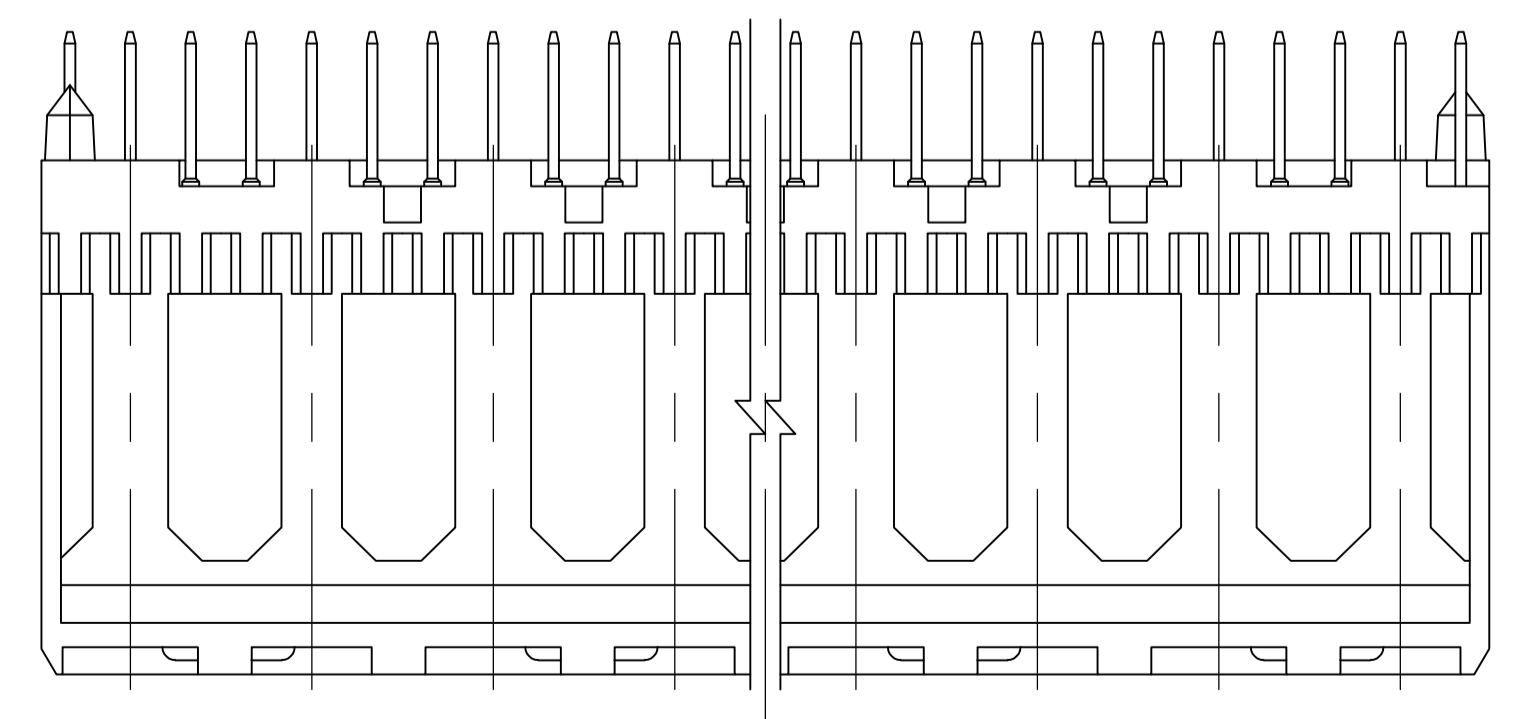
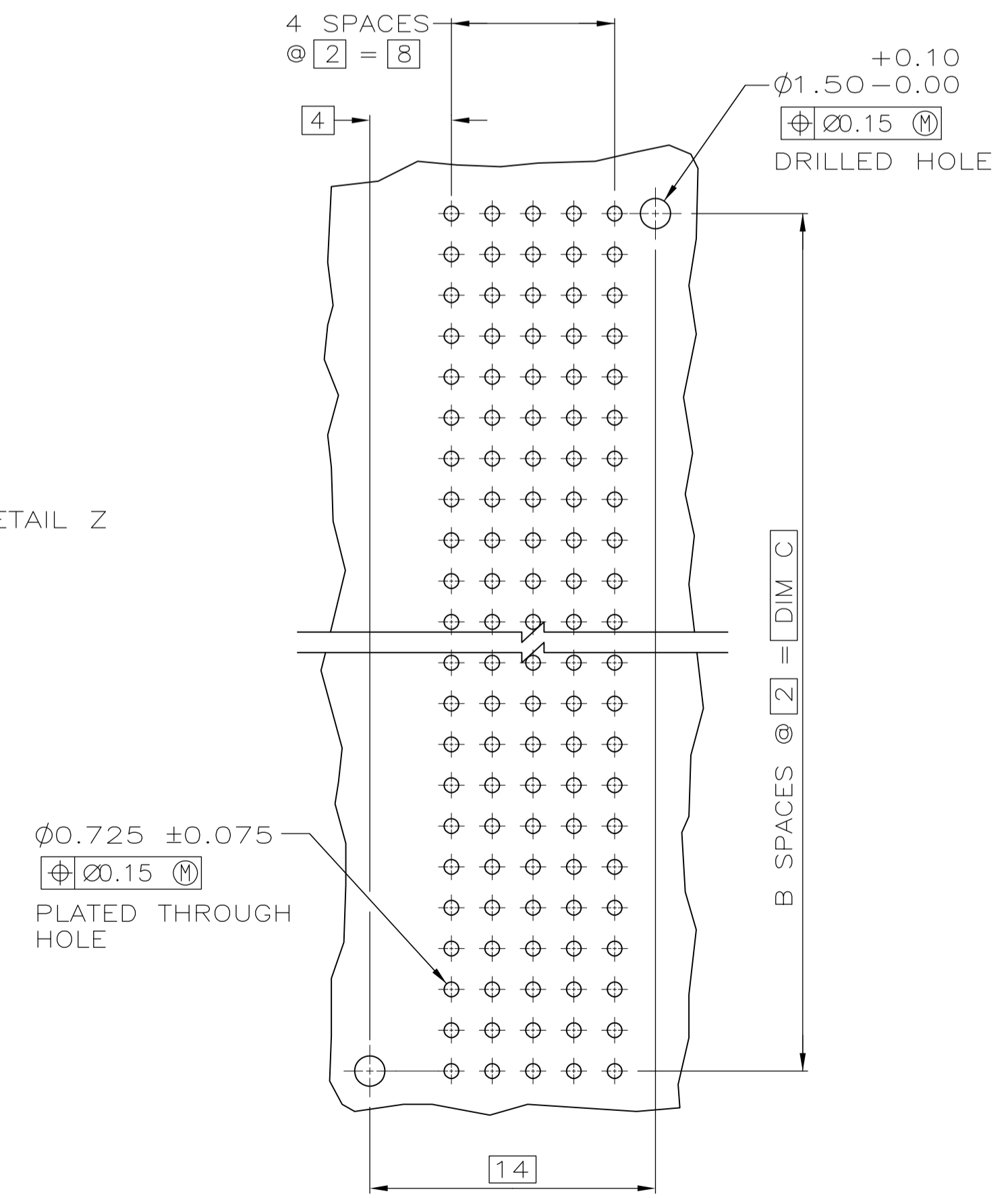
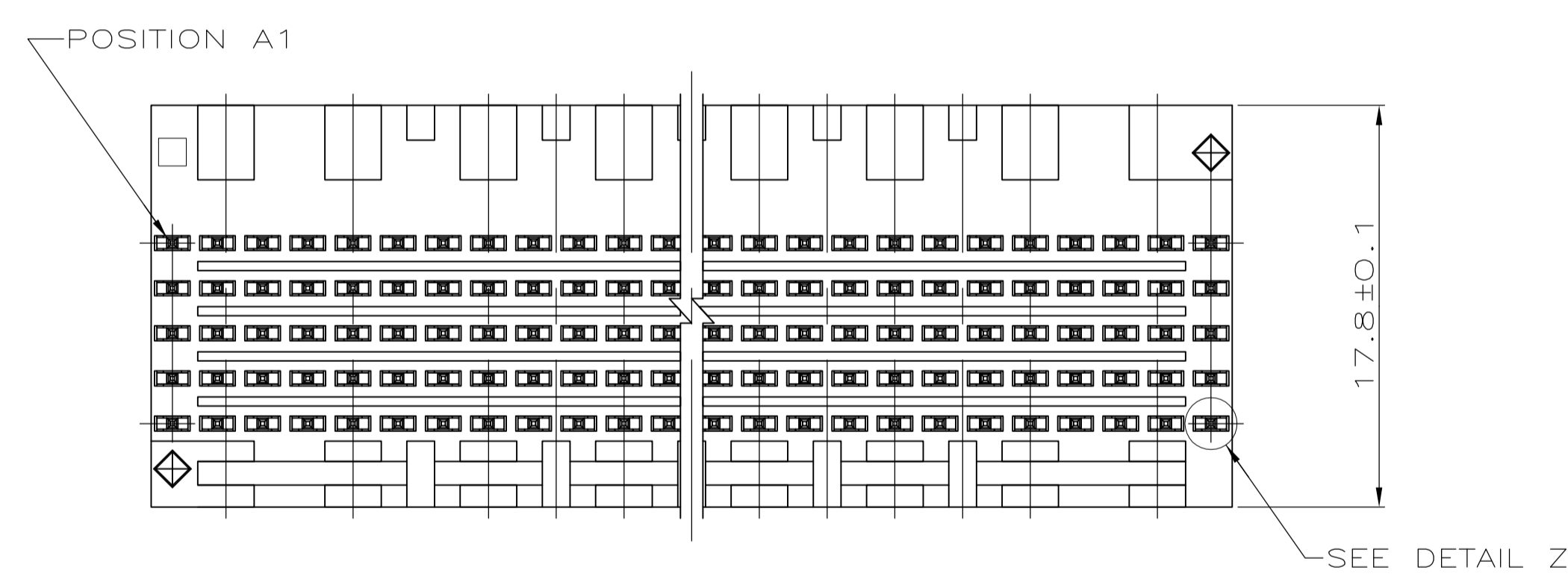
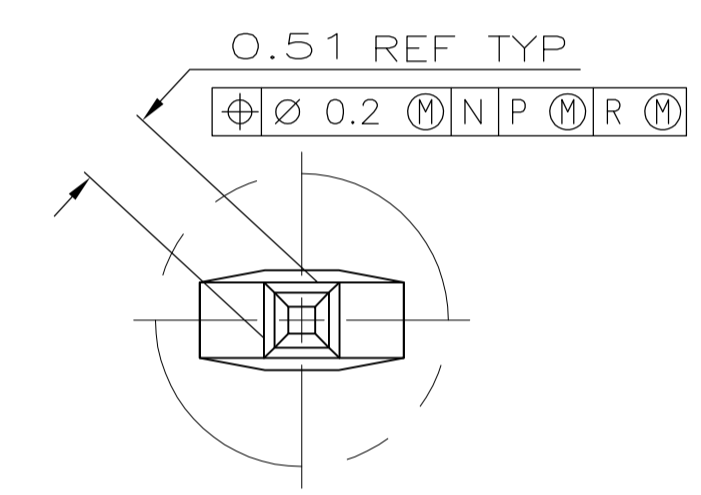
Address: A1208, Overseas Decoration Building, #122 Zhenhua RD., Futian, Shenzhen, China



LOC		DIST		REVISIONS			
P	LTR	DESCRIPTION	DATE	DMN	APVD		
H1		REVISED PER ECR-08-032448	19DEC2008	S.W	S.Y		
J		REVISED PER ECO-15-003999	13MAR15	D.S.F.	Y		



- 1 HOUSING MATERIAL: LIQUID CRYSTAL POLYMER
COLOR: NATURAL.
- 2 CONTACT MATERIAL: PHOSPHOR BRONZE
- 3 CONTACT FINISH:
UNDERPLATE (ENTIRE CONTACT):
0.00127 MIN NICKEL.
ON MATING SURFACES:
CONFORMS TO ALL TESTING SPECIFIED FOR TELCORDIA
UNCONTROLLED ENVIRONMENT.
ON LEADS
0.00381 MIN TIN-LEAD OVER UNDERPLATE.
LUBRICATION (ENTIRE CONTACT):
SURFACE CONDITIONER PER AMP SPEC 112-1002 AFTER PLATING.
- 4 PART MARKING LOCATED APPROXIMATELY AS SHOWN.
- 5 OBSOLETE PARTS: OBSOLETE CIS STREAMLINING
PER D.RENAUD/D.SINISI



RECOMMENDED CIRCUIT PATTERN (COMPONENT SIDE)

	C	B	A	FINISH	NO OF SIGNAL POSN	PART NUMBER
5 OBSOLETE	130	65	131.88	3	330	1-223000-1
OBSOLETE	118	59	119.88	3	300	1-223000-0
5 OBSOLETE	106	53	107.88	3	270	223000-9
5 SUPERSEDED BY 5223000-8	94	47	95.88	3	240	223000-8
5 OBSOLETE	82	41	83.88	3	210	223000-7
SUPERSEDED	70	35	71.88	3	180	223000-6
	58	29	59.88	3	150	223000-5
	46	23	47.88	3	120	223000-4
	34	17	35.88	3	90	223000-3
OBSOLETE	22	11	23.88	3	60	223000-2
	10	5	11.88	3	30	223000-1

THIS DRAWING IS A CONTROLLED DOCUMENT. DIN R BUCHHEISTER 10/JAN/96. CHK D BAECHTLE 11/JAN/96. APVD D SINISI 11/JAN/96. NAME: ASSEMBLY, PIN, SIGNAL, VERTICAL, Z-PACK 2mm FB, 5 ROW, SOLDER LEAD. PRODUCT SPEC: -. APPLICATION SPEC: -. SIZE: A1. CASE CODE: 00779. DRAWING NO: 223000. WEIGHT: -. RESTRICTED TO: -. CUSTOMER DRAWING. SCALE: 4:1. SHEET: 1 of 1. REV: J.