



Chipsmall Limited consists of a professional team with an average of over 10 year of expertise in the distribution of electronic components. Based in Hongkong, we have already established firm and mutual-benefit business relationships with customers from,Europe,America and south Asia,supplying obsolete and hard-to-find components to meet their specific needs.

With the principle of “Quality Parts,Customers Priority,Honest Operation,and Considerate Service”,our business mainly focus on the distribution of electronic components. Line cards we deal with include Microchip,ALPS,ROHM,Xilinx,Pulse,ON,Everlight and Freescale. Main products comprise IC,Modules,Potentiometer,IC Socket,Relay,Connector.Our parts cover such applications as commercial,industrial, and automotives areas.

We are looking forward to setting up business relationship with you and hope to provide you with the best service and solution. Let us make a better world for our industry!



Contact us

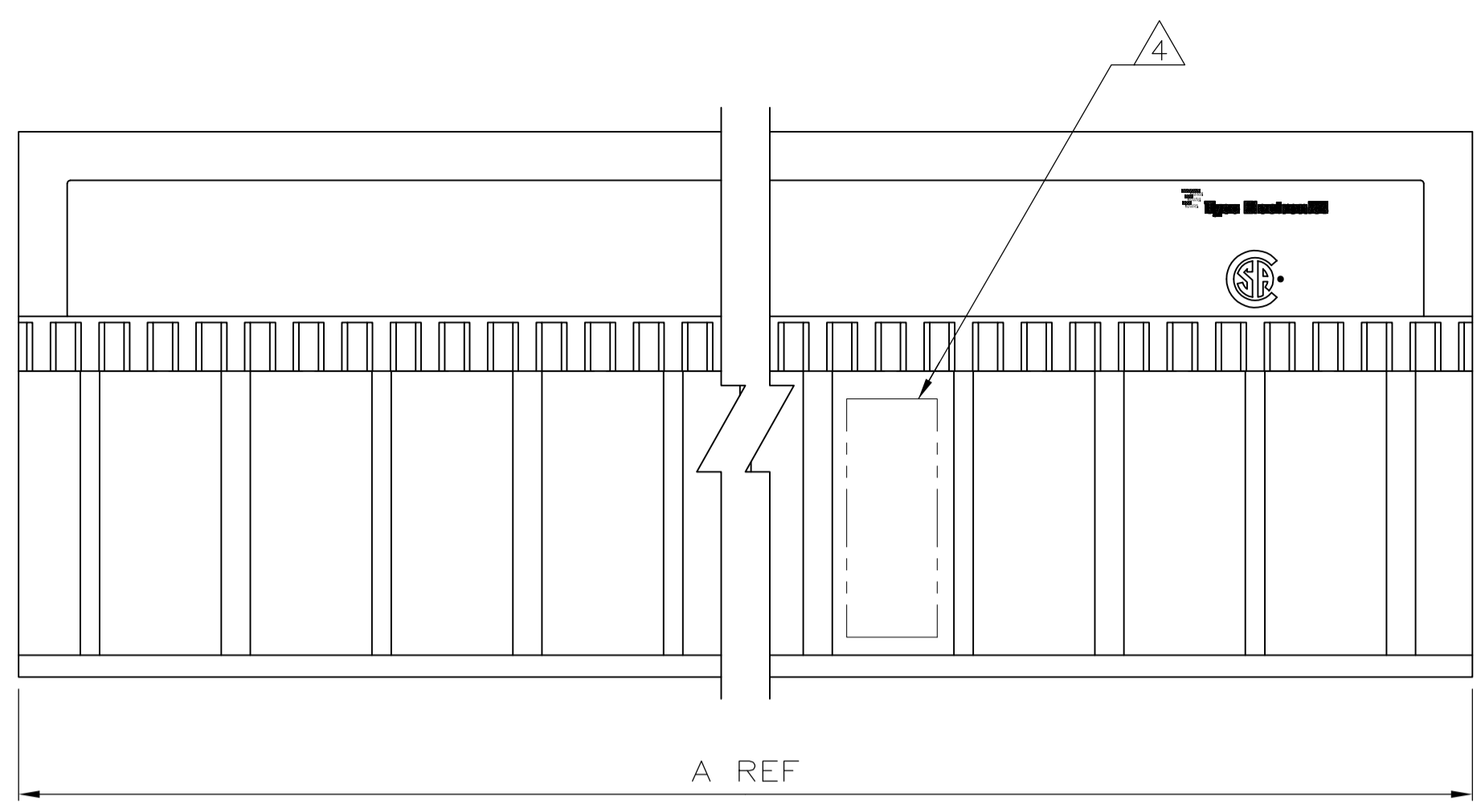
Tel: +86-755-8981 8866 Fax: +86-755-8427 6832

Email & Skype: info@chipsmall.com Web: www.chipsmall.com

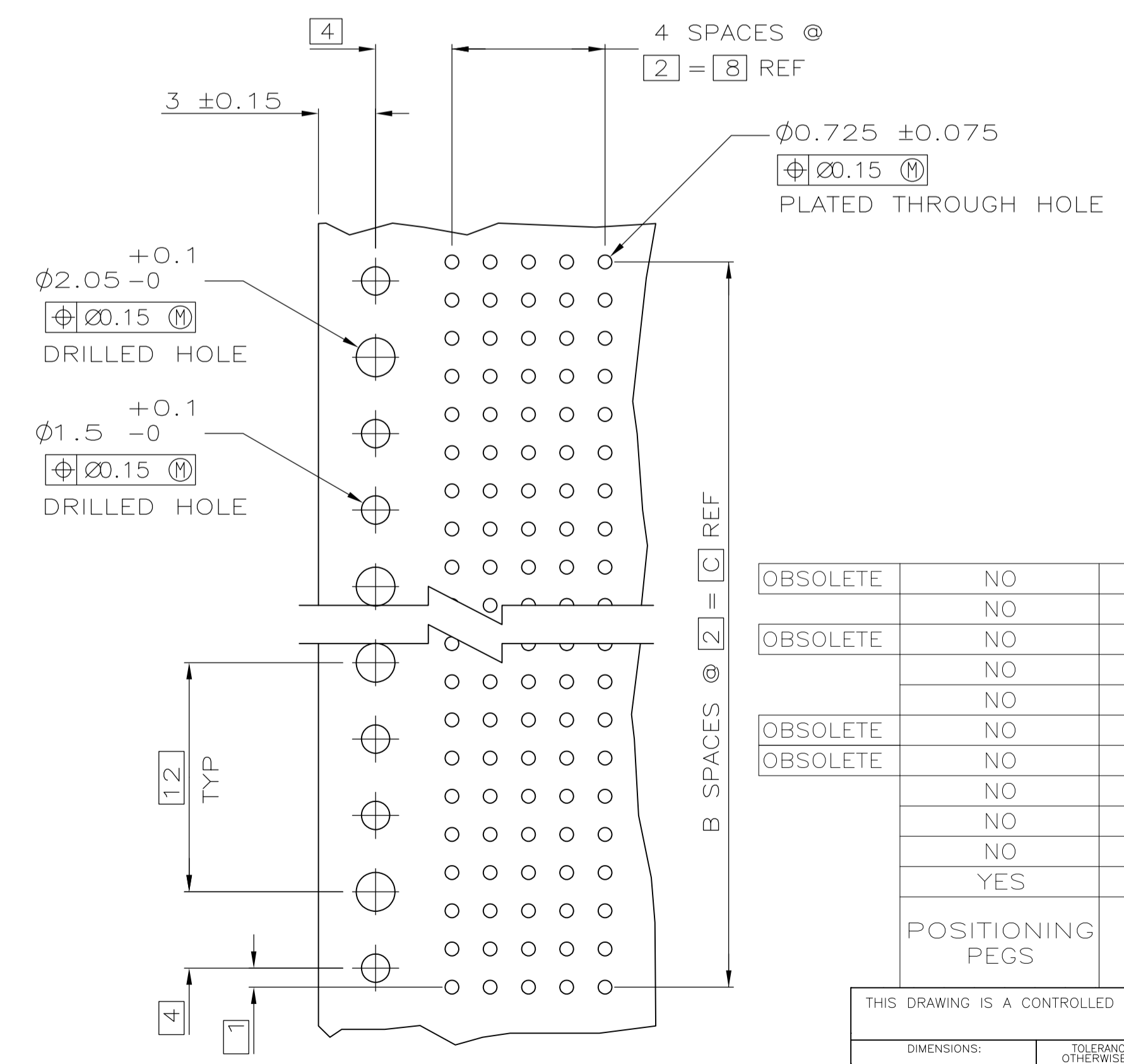
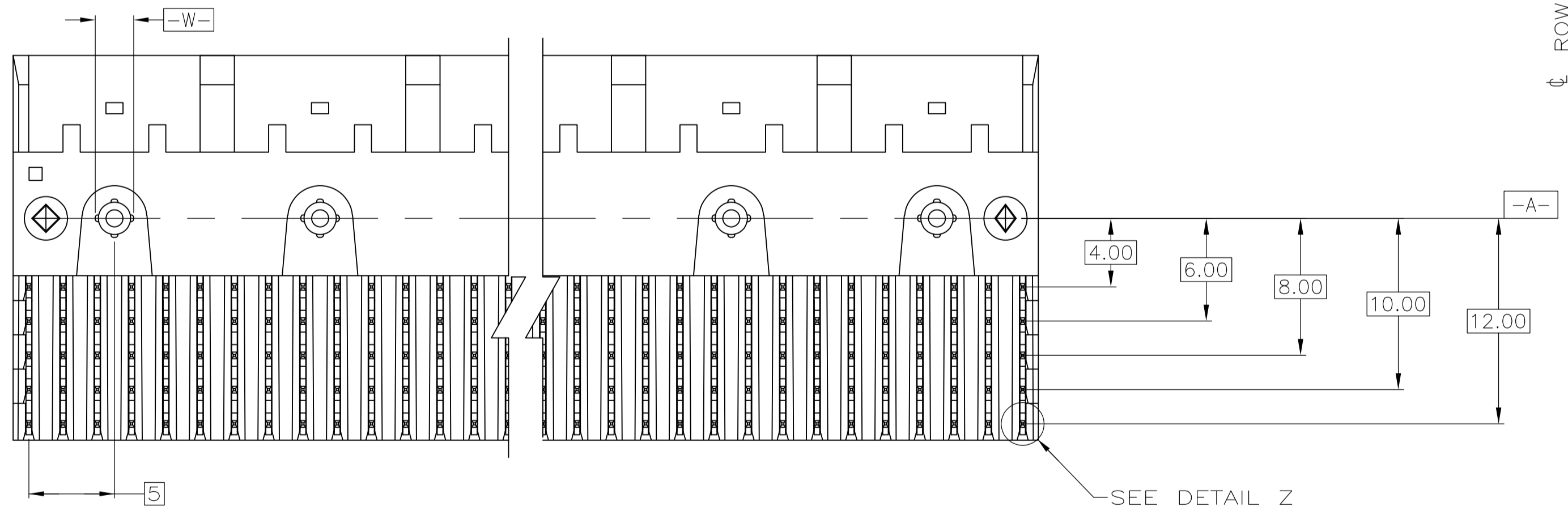
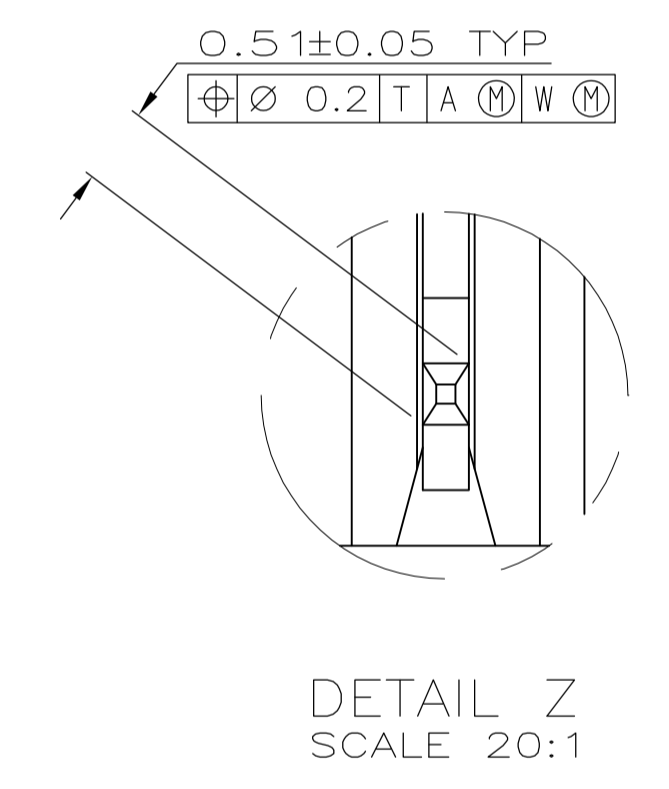
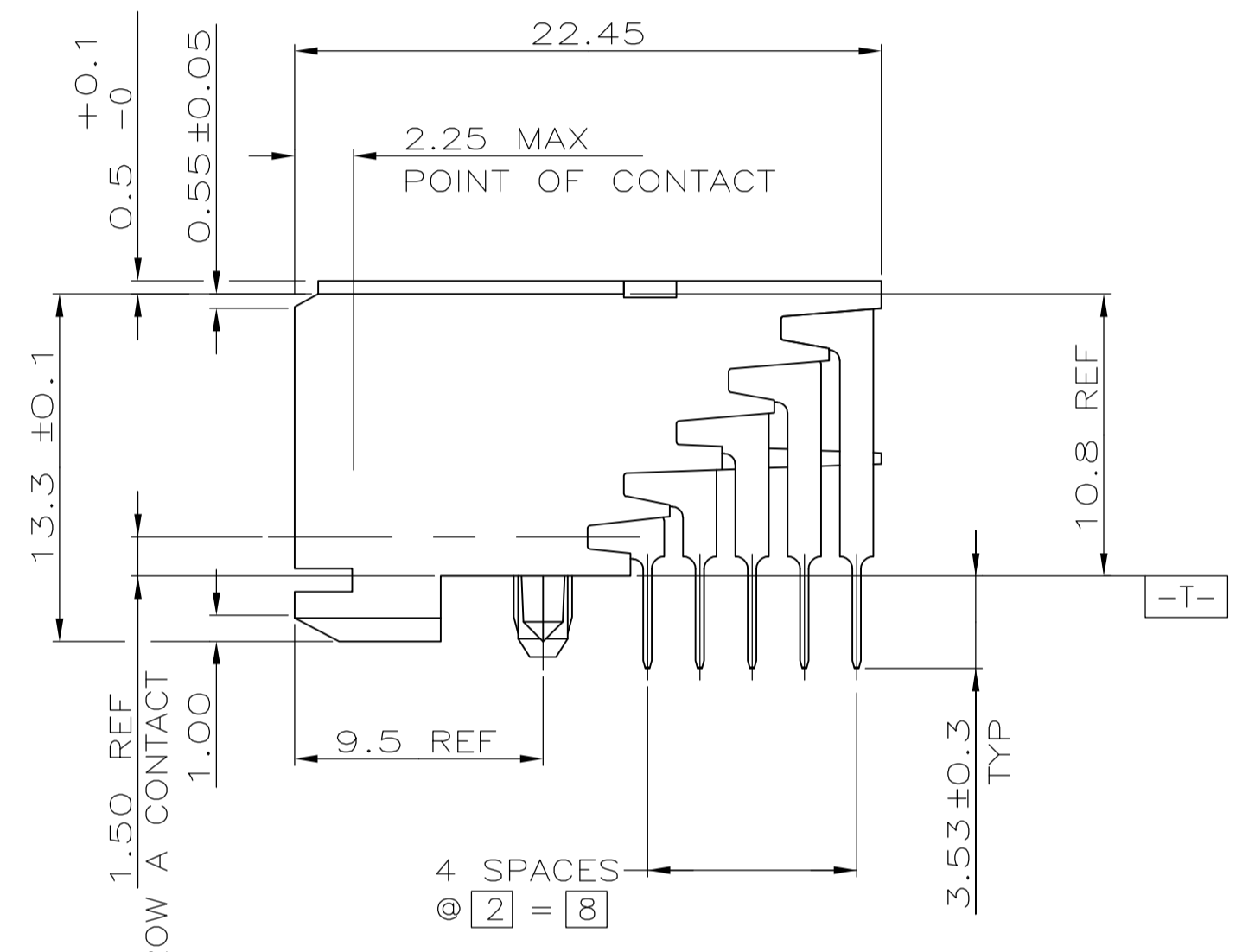
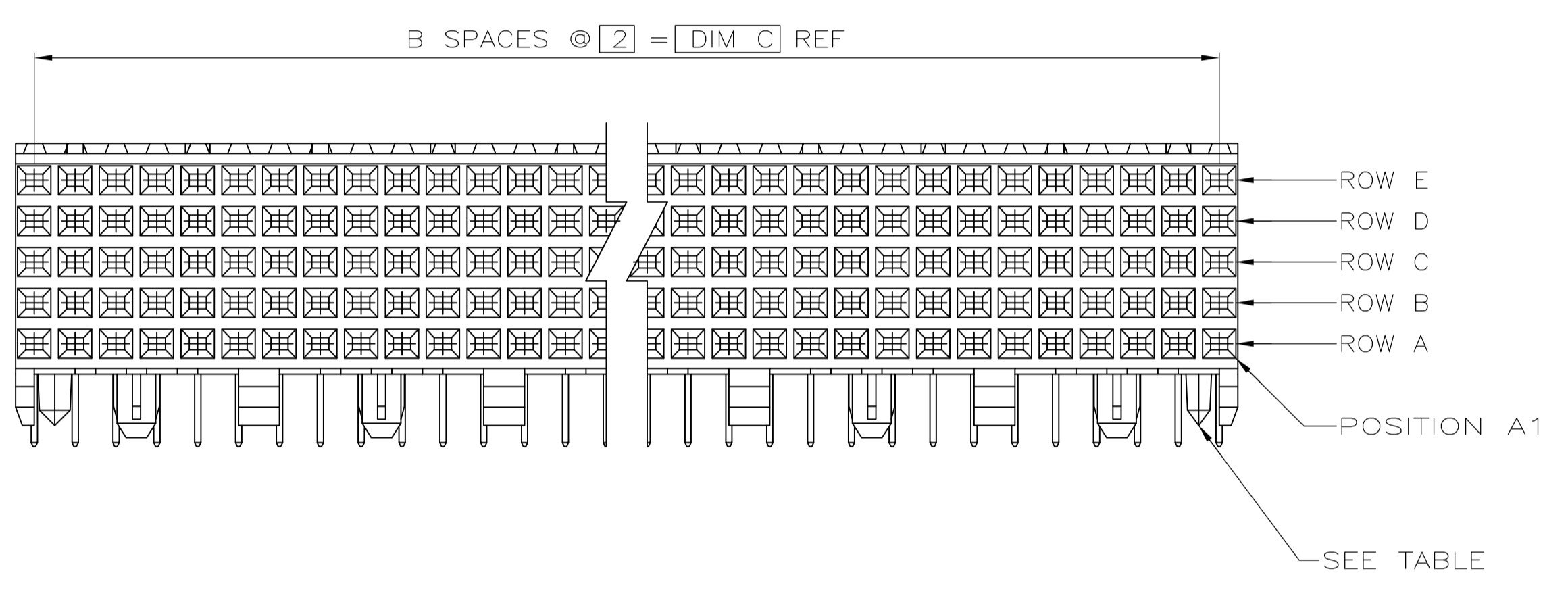
Address: A1208, Overseas Decoration Building, #122 Zhenhua RD., Futian, Shenzhen, China



LOC		DIST		REVISIONS			
P	LTR	DESCRIPTION	DATE	DMN	APVD		
M1		REVISED PER ECO-08-009053	16APR08	DH	AS		
M2		REVISED PER ECO-09-020689	25AUG09	KK	AEG		



- △ HOUSING MATERIAL: LIQUID CRYSTAL POLYMER
COLOR: NATURAL.
- △ CONTACT MATERIAL: PHOSPHOR-BRONZE.
- △ CONTACT FINISH:
UNDERPLATE (ENTIRE CONTACT):
0.00127 MIN NICKEL.
ON MATING SURFACES:
CONFORMS TO ALL TESTING SPECIFIED FOR TELCORDIA
UNCONTROLLED ENVIRONMENT.
ON LEADS
0.00381 MIN TIN-LEAD OVER UNDERPLATE.
LUBRICATION (ENTIRE CONTACT):
SURFACE CONDITIONER PER AMP SPEC 112-1002 AFTER PLATING.
- △ PART MARKING LOCATED APPROXIMATELY AS SHOWN.
- △ OBSOLETE PARTS: OBSOLETE CIS STREAMLINING PER D.RENAUD/D.SINISI



OBsolete	NO	130	65	131.88	△	330	△	1-223007-1
	NO	118	59	119.88	△	300	△	1-223007-0
OBsolete	NO	106	53	107.88	△	270	△	223007-9
	NO	94	47	95.88	△	240	△	223007-8
	NO	82	41	83.88	△	210	△	223007-7
OBsolete	NO	70	35	71.88	△	180	△	223007-6
OBsolete	NO	58	29	59.88	△	150	△	223007-5
	NO	46	23	47.88	△	120	△	223007-4
	NO	34	17	35.88	△	90	△	223007-3
	NO	22	11	23.88	△	60	△	223007-2
	YES	10	5	11.88	△	30	△	223007-1
POSITIONING PEGS	C	B	A	FINISH	NO OF SIGNAL POSN	PART NUMBER		

RECOMMENDED CIRCUIT PATTERN
 PER IPC-D300 TYPE II, CLASS C
 (COMPONENT SIDE)

THIS DRAWING IS A CONTROLLED DOCUMENT.

DIN R BUCHHEISTER 08/FEB/96
 CHK D BAECHTLE 08/FEB/96

APVD D SINISI 08/FEB/96

Tyco Electronics Corporation
 Harrisburg, PA 17105-3608

NAME ASSEMBLY, RECEPTACLE, SIGNAL, RIGHT ANGLE, Z-PACK 2mm FB, 5 ROW, SOLDER LEAD

PRODUCT SPEC

APPLICATION SPEC

SIZE CAGE CODE DRAWING NO
 A1 00779 C=223007

RESTRICTED TO

MATERIAL FINISH WEIGHT

CUSTOMER DRAWING SCALE 4:1 SHEET 1 OF 1 REV M2