



Chipsmall Limited consists of a professional team with an average of over 10 year of expertise in the distribution of electronic components. Based in Hongkong, we have already established firm and mutual-benefit business relationships with customers from,Europe,America and south Asia,supplying obsolete and hard-to-find components to meet their specific needs.

With the principle of “Quality Parts,Customers Priority,Honest Operation,and Considerate Service”,our business mainly focus on the distribution of electronic components. Line cards we deal with include Microchip,ALPS,ROHM,Xilinx,Pulse,ON,Everlight and Freescale. Main products comprise IC,Modules,Potentiometer,IC Socket,Relay,Connector.Our parts cover such applications as commercial,industrial, and automotives areas.

We are looking forward to setting up business relationship with you and hope to provide you with the best service and solution. Let us make a better world for our industry!



## Contact us

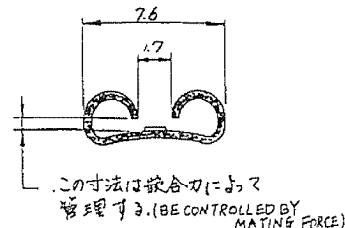
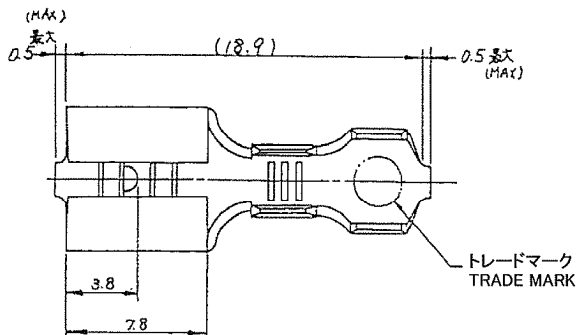
Tel: +86-755-8981 8866 Fax: +86-755-8427 6832

Email & Skype: info@chipsmall.com Web: www.chipsmall.com

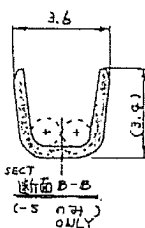
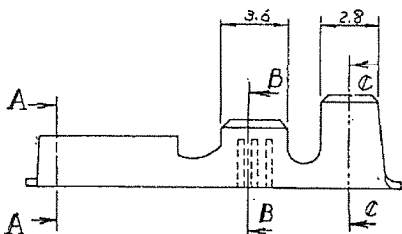
Address: A1208, Overseas Decoration Building, #122 Zhenhua RD., Futian, Shenzhen, China



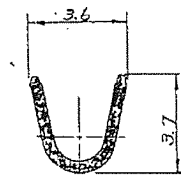
REV	DESCRIPTION	DATE	DWN	APVD
A2	REVISED PER ECR-14-011658	28AUG2014	NK	DC



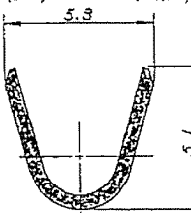
断面 A-A 尺度 2-1 (SECT) (SCALE)



断面 B-B 尺度 2-1 (SECT) (SCALE)



断面 C-C 尺度 2-1 (SECT) (SCALE)



断面 C-C 尺度 2-1 (SECT) (SCALE)

- 注: 1. 嵌合するワフの詳細については CP-63-048J の  
断面を参照。専  
2. 製品規格番号 108-5006

NOTES: 1. SEE DRAWING OF CP-63-048J FOR THE DETAIL OF MATING TAB.  
2. PRODUCT SPEC; 108-5006

PLAIN	2232112-4
TIN PLATING BRASS	2232112-1
FINISH	PART NUMBER

WIRE RANGE 組合電線断面積 0.75~2.27 mm <sup>2</sup> (AWG 18-14)	INSULATION DIA 絶縁外径 2.54~4.32 mm
--	--

DWN	D.L	TE Connectivity
CHK	T.D	
DIMENSIONS 寸法	TOLERANCES UNLESS OTHERWISE SPECIFIED 公差	NAME 名称 (250° SERIES FASTON RECEPTACLE)
	一般公差 10% ±0.7 20% ±0.25 30% ±0.3 40% ±0.35 50% ±0.4 60% ±0.45	APP Yuhong.Mao
	MATERIAL 材質	FINISH 仕上
表参照 (SEE TABLE)	表参照 (SEE TABLE)	APPLICATION SPEC 114-5084
CUSTOMER DRAWING		SIZE A3
		CAGE CODE 00779
		DRAWING NO 2232112
		SCALE 尺度 4-1
		SHEET 1
		OF 1
		REV A2