



Chipsmall Limited consists of a professional team with an average of over 10 year of expertise in the distribution of electronic components. Based in Hongkong, we have already established firm and mutual-benefit business relationships with customers from,Europe,America and south Asia,supplying obsolete and hard-to-find components to meet their specific needs.

With the principle of “Quality Parts,Customers Priority,Honest Operation,and Considerate Service”,our business mainly focus on the distribution of electronic components. Line cards we deal with include Microchip,ALPS,ROHM,Xilinx,Pulse,ON,Everlight and Freescale. Main products comprise IC,Modules,Potentiometer,IC Socket,Relay,Connector.Our parts cover such applications as commercial,industrial, and automotives areas.

We are looking forward to setting up business relationship with you and hope to provide you with the best service and solution. Let us make a better world for our industry!



Contact us

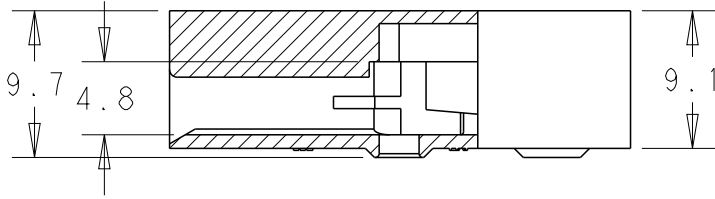
Tel: +86-755-8981 8866 Fax: +86-755-8427 6832

Email & Skype: info@chipsmall.com Web: www.chipsmall.com

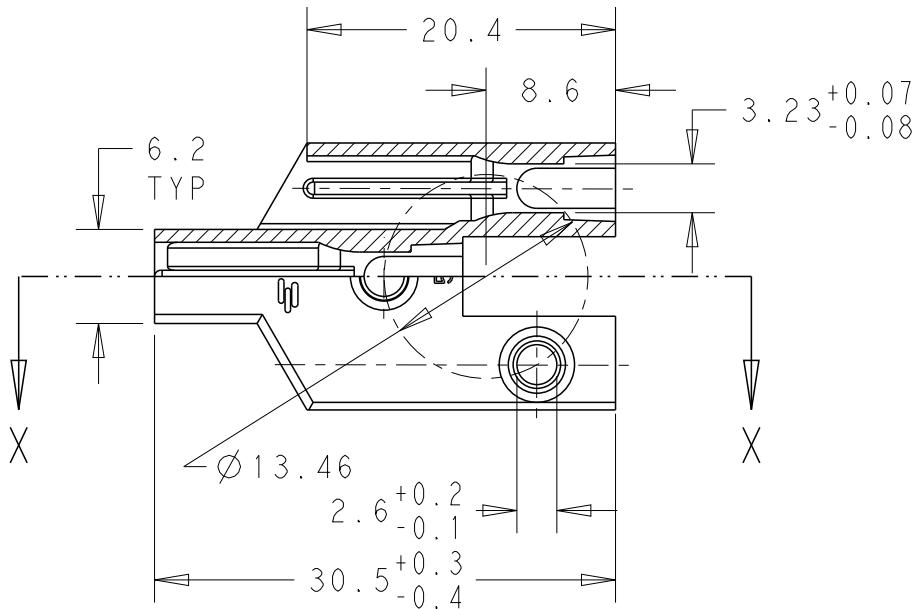
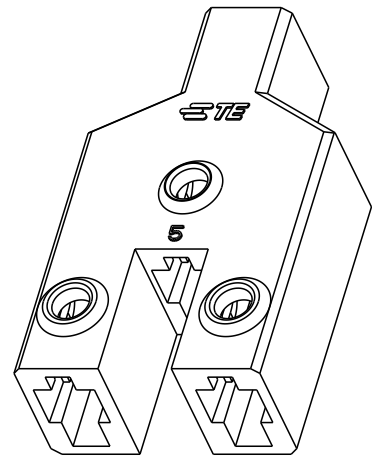
Address: A1208, Overseas Decoration Building, #122 Zhenhua RD., Futian, Shenzhen, China



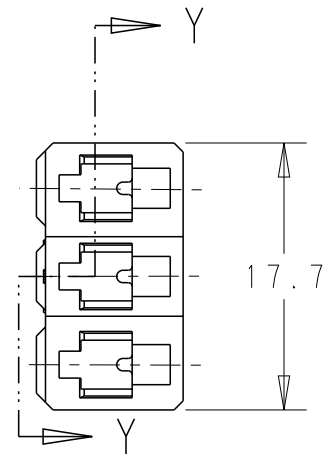
LOC	DIST	REVISIONS					
CN	-	P	LTR	DESCRIPTION	DATE	DWN	APVD
		A2		CHANGE THE DIMENSION 30.5+/-0.3 TO 30.5+0.3/-0.4	11FEB2014	W.W	YH.M



SECTION X - X



SECTION Y - Y



RELEASED FOR PUBLICATION

ALL RIGHTS RESERVED.

BY TE CONNECTIVITY

THIS DRAWING IS UNPUBLISHED.

© COPYRIGHT -

NATURAL	PA6 WITH GLASS FIBER	2232326-2
NATURAL	PBT	2232326-1
FINISH	MATERIAL	PART NUMBER

DIMENSIONS: mm	DWN WINTER WANG	25FEB2013	MATERIAL	-	FINISH	-
	CHK JAIN LIU	01MAR2013	TE Connectivity			
TOLERANCES UNLESS OTHERWISE SPECIFIED:	APVD YUHONG MAO	01MAR2013				
	0 PLC ±-	PRODUCT SPEC	108-2008	SIZE	CAGE CODE	DRAWING NO
1 PLC ±0.3	APPLICATION SPEC	-	A4	00779	C=2232326	-
2 PLC ±0.3	WEIGHT	-	Customer Drawing			
3 PLC ±-			SCALE	-	SHEET	1 OF 1
4 PLC ±-					REV	A2
ANGLES ±-						

