



Chipsmall Limited consists of a professional team with an average of over 10 year of expertise in the distribution of electronic components. Based in Hongkong, we have already established firm and mutual-benefit business relationships with customers from,Europe,America and south Asia,supplying obsolete and hard-to-find components to meet their specific needs.

With the principle of “Quality Parts,Customers Priority,Honest Operation,and Considerate Service”,our business mainly focus on the distribution of electronic components. Line cards we deal with include Microchip,ALPS,ROHM,Xilinx,Pulse,ON,Everlight and Freescale. Main products comprise IC,Modules,Potentiometer,IC Socket,Relay,Connector.Our parts cover such applications as commercial,industrial, and automotives areas.

We are looking forward to setting up business relationship with you and hope to provide you with the best service and solution. Let us make a better world for our industry!



Contact us

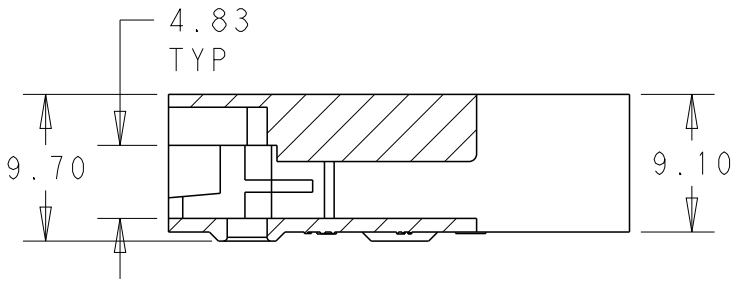
Tel: +86-755-8981 8866 Fax: +86-755-8427 6832

Email & Skype: info@chipsmall.com Web: www.chipsmall.com

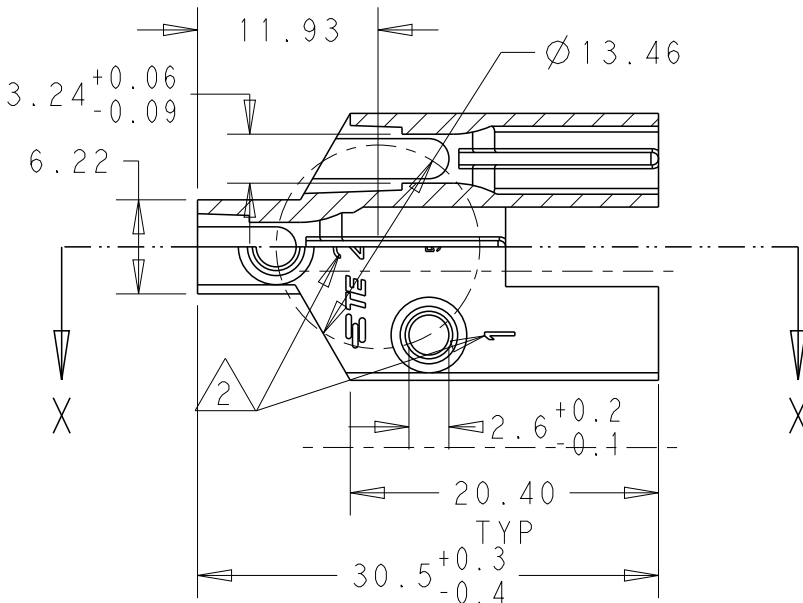
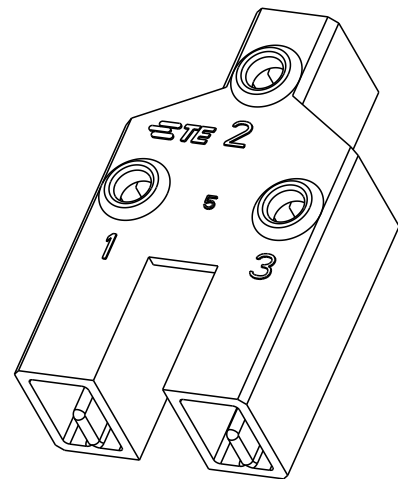
Address: A1208, Overseas Decoration Building, #122 Zhenhua RD., Futian, Shenzhen, China



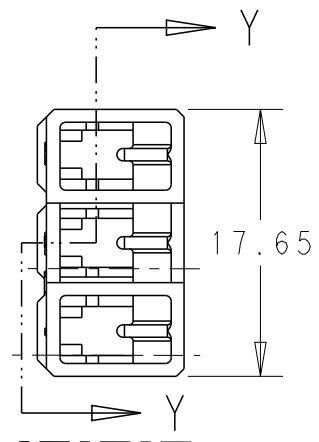
LOC	DIST	REVISIONS					
CN	-	P	LTR	DESCRIPTION	DATE	DWN	APVD
		C		REVISED AS PER ECR-16-005625	19APR2016	MKD	PKS



SECTION X - X



SECTION Y - Y



NOTES:

- ① MATERIAL CONFORM TO UL94V0 AND GWT 750 NF
- ② CIRCUIT IDENTIFICATION NUMBER

NATURAL	PA6 GF ①	2232327-2
NATURAL	PBT	2232327-1
FINISH	MATERIAL	PART NUMBER

THIS DRAWING IS UNPUBLISHED. BY TE CONNECTIVITY

RELEASED FOR PUBLICATION. ALL RIGHTS RESERVED. COPYRIGHT 20

DIMENSIONS: mm	DWN WINTER WANG 01MAR2013	MATERIAL	FINISH
TOLERANCES UNLESS OTHERWISE SPECIFIED:	CHK JAIN LIU 01MAR2013	TE Connectivity	
0 PLC ±-	APVD YUHONG MAO 01MAR2013		
1 PLC ±-	PRODUCT SPEC	NAME	
2 PLC ±0.3	108-2008	CLUSTER BLOCK HSG 2.29 (.090) DIA	
3 PLC ±-	APPLICATION SPEC	SIZE	CAGE CODE
4 PLC ±-	-	A4	00779
ANGLES ±-	WEIGHT	DRAWING NO	RESTRICTED TO
	-	C=2232327	-
Customer Drawing		SCALE	SHEET 1 OF 1
		-	REV C