



Chipsmall Limited consists of a professional team with an average of over 10 year of expertise in the distribution of electronic components. Based in Hongkong, we have already established firm and mutual-benefit business relationships with customers from,Europe,America and south Asia,supplying obsolete and hard-to-find components to meet their specific needs.

With the principle of “Quality Parts,Customers Priority,Honest Operation,and Considerate Service”,our business mainly focus on the distribution of electronic components. Line cards we deal with include Microchip,ALPS,ROHM,Xilinx,Pulse,ON,Everlight and Freescale. Main products comprise IC,Modules,Potentiometer,IC Socket,Relay,Connector.Our parts cover such applications as commercial,industrial, and automotives areas.

We are looking forward to setting up business relationship with you and hope to provide you with the best service and solution. Let us make a better world for our industry!



## Contact us

Tel: +86-755-8981 8866 Fax: +86-755-8427 6832

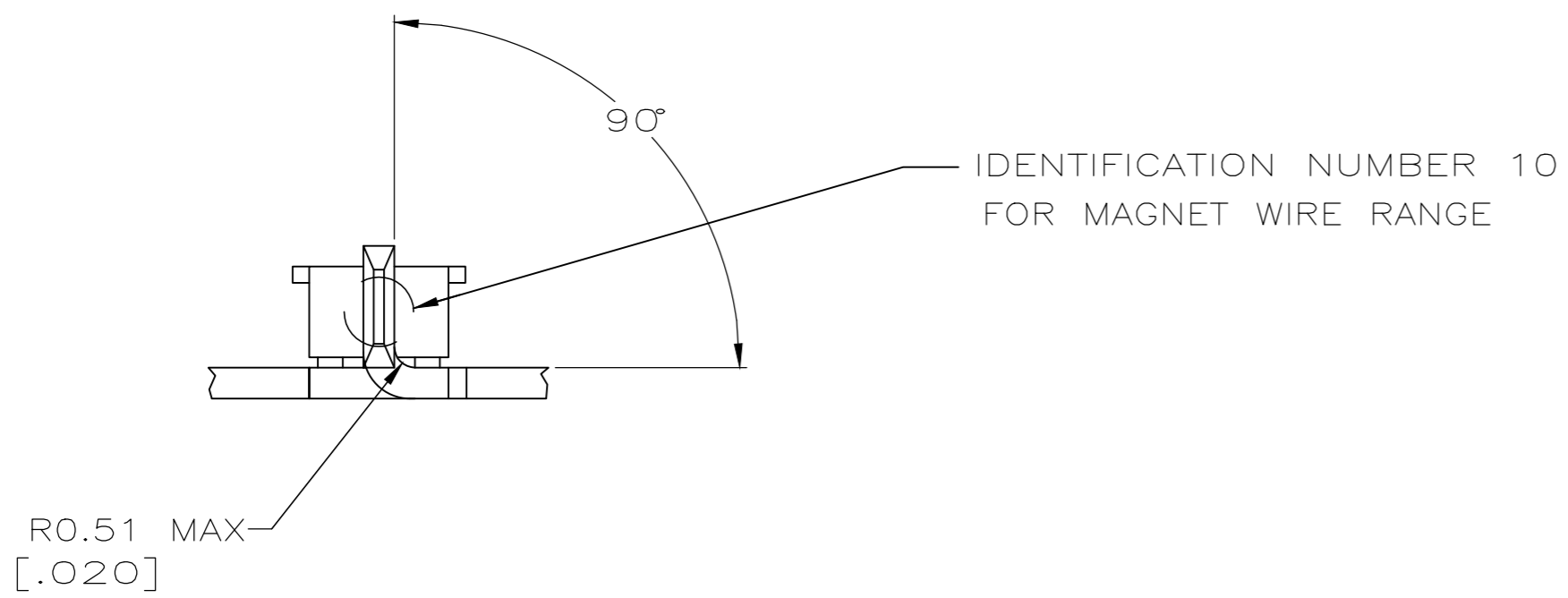
Email & Skype: info@chipsmall.com Web: www.chipsmall.com

Address: A1208, Overseas Decoration Building, #122 Zhenhua RD., Futian, Shenzhen, China

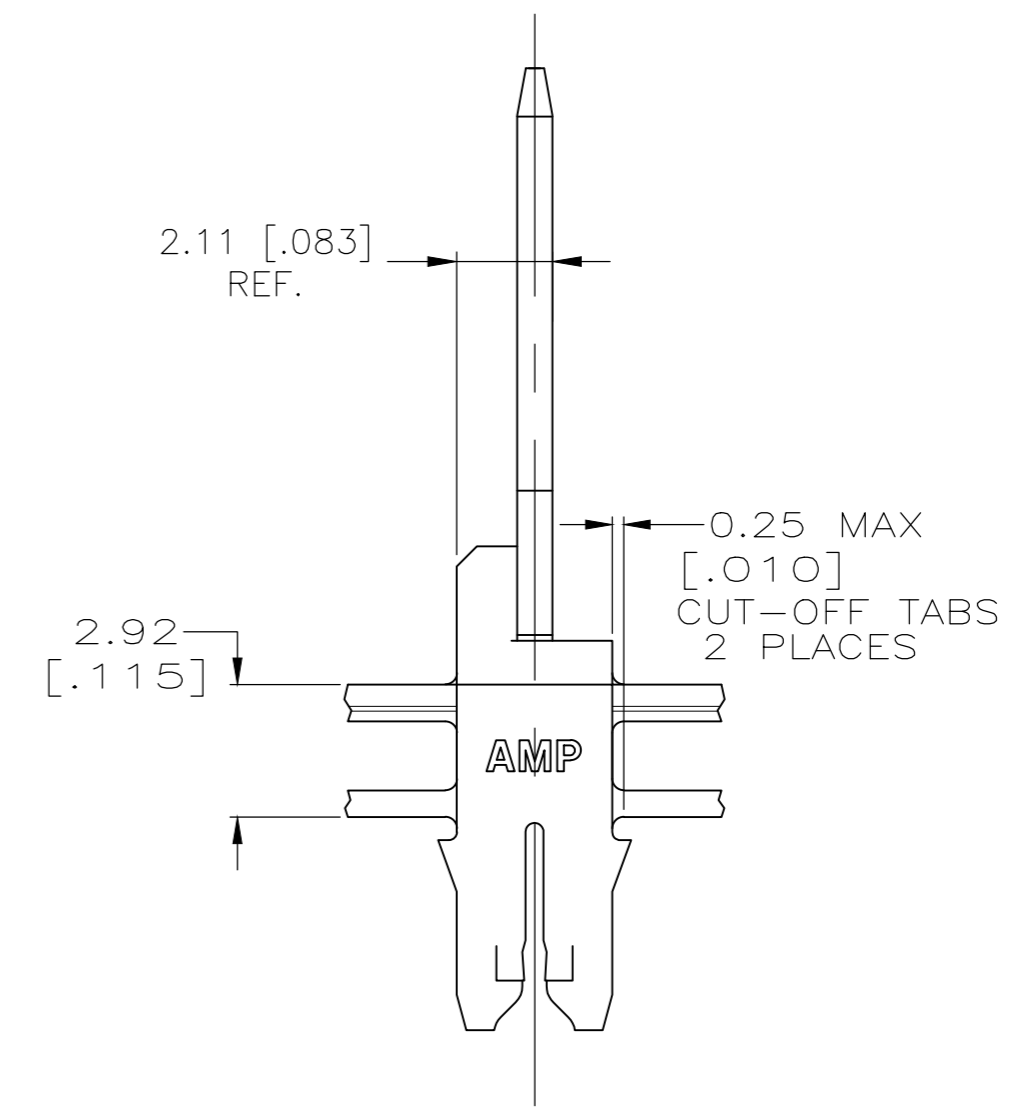
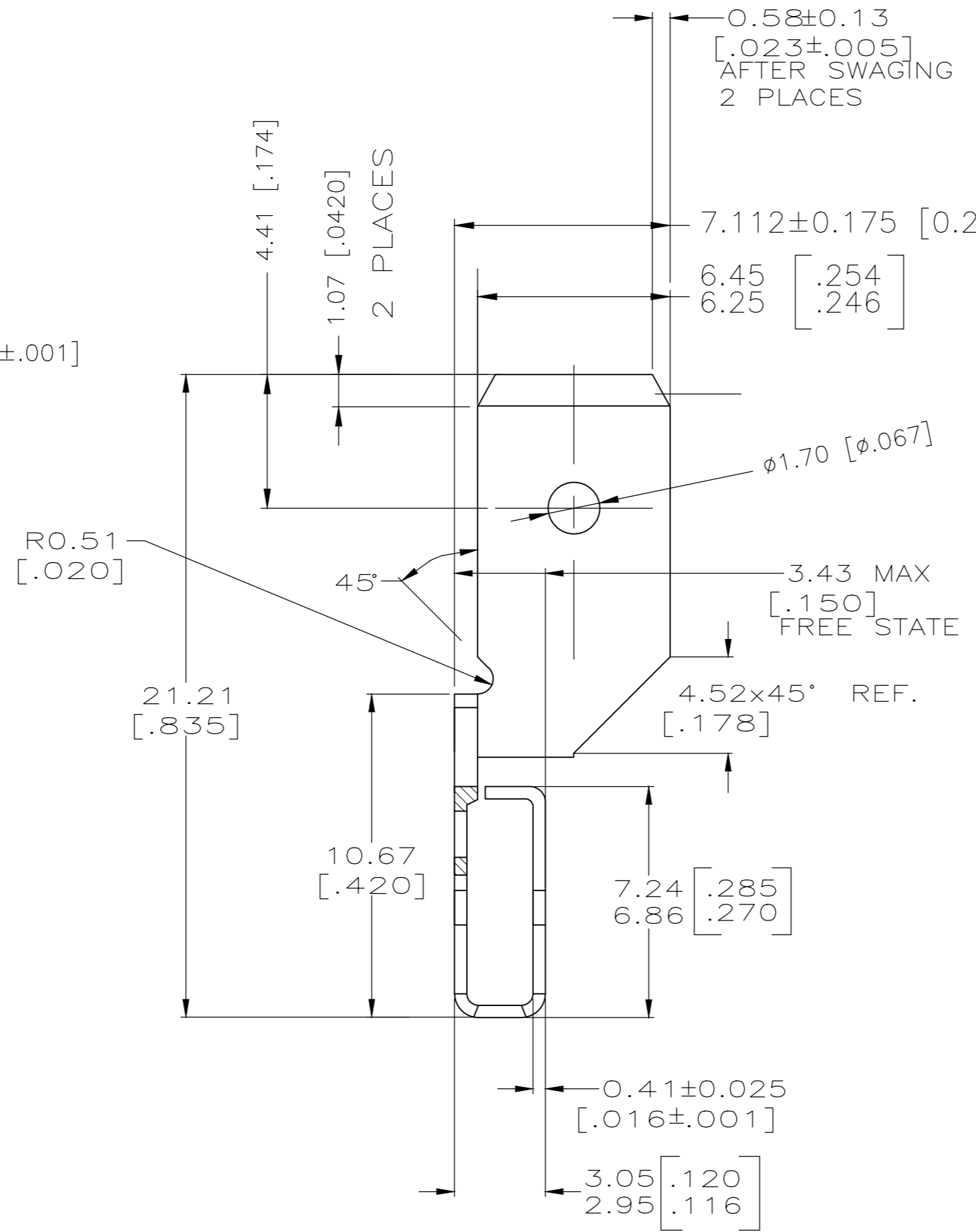
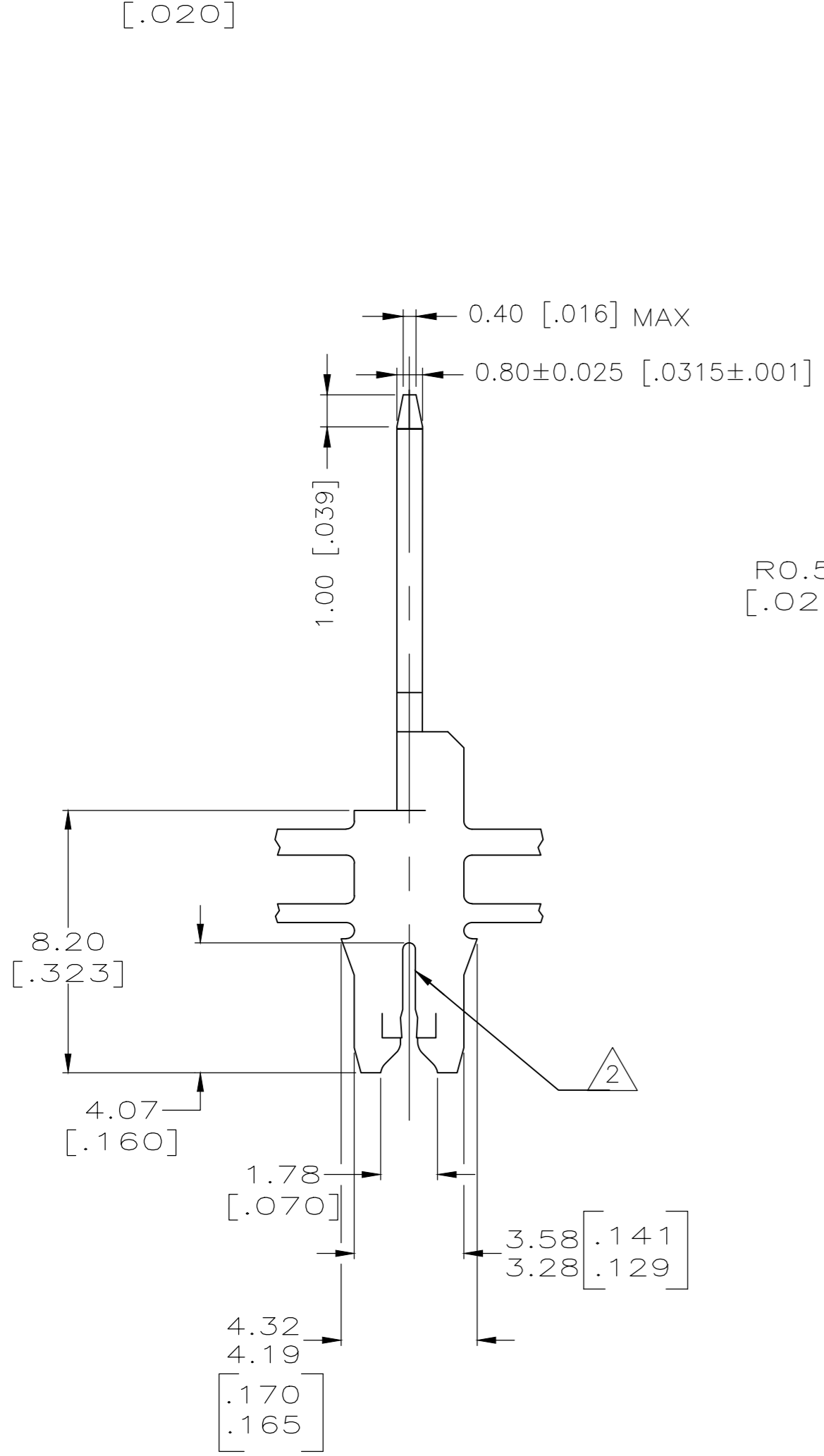


THIS DRAWING IS UNPUBLISHED. RELEASED FOR PUBLICATION  
 © COPYRIGHT - By - ALL RIGHTS RESERVED.

REVISIONS				
P	LTR	DESCRIPTION	DATE	APVD
A3		REVISED PER ECR-17-008705	15NOV2017	FV SK



- 1 CONTINUOUS STRIP ON REELS WITH TERMINALS LOCATED ON 8.38±0.076 [.330±.003] CENTERS
- 2 SLOT ACCEPTS 0.36-0.57 [#27-#23 AWG] SINGLE OR DOUBLE COPPER MAGNET WIRE ONLY  
 SLOT ACCEPTS 0.51-0.64 [#24-#22 AWG] SINGLE OR DOUBLE ALUMINUM MAGNET WIRE ONLY
- 3 REFER TO DWG 87-1039-3 FOR ADDITIONAL CAVITY INFORMATION (MODIFIED DEPTH)
- 4 0.0010 [.000040] MIN TIN PLATE



THIS DRAWING IS A CONTROLLED DOCUMENT.		DWN R.GRZYBOWSKI 24JUN97	4 FINISH		WELD	2232555-1
DIMENSIONS: mm		CHK M.S.FEHER 24JUN97	TE Connectivity		SPLICE	PART NUMBER
TOLERANCES UNLESS OTHERWISE SPECIFIED:		APVD N.E.NEFF 24JUN97	NAME		TAB, 6.30 [.250] CONNECTING, MAG-MATE	
0 PLC ± -		PRODUCT SPEC 108-2012	SIZE		CAGE CODE	DRAWING NO
1 PLC ± -		APPLICATION SPEC 114-2046	A2		00779	C=2232555
2 PLC ± 0.25 [.010]		WEIGHT 0.000000	SCALE		SHEET	RESTRICTED TO
3 PLC ± -		CUSTOMER DRAWING	6:1		1 of 1	REV A3
4 PLC ± -						
ANGLES ± 5°						
FINISH SEE TABLE						