



Chipsmall Limited consists of a professional team with an average of over 10 year of expertise in the distribution of electronic components. Based in Hongkong, we have already established firm and mutual-benefit business relationships with customers from,Europe,America and south Asia,supplying obsolete and hard-to-find components to meet their specific needs.

With the principle of “Quality Parts,Customers Priority,Honest Operation,and Considerate Service”,our business mainly focus on the distribution of electronic components. Line cards we deal with include Microchip,ALPS,ROHM,Xilinx,Pulse,ON,Everlight and Freescale. Main products comprise IC,Modules,Potentiometer,IC Socket,Relay,Connector.Our parts cover such applications as commercial,industrial, and automotives areas.

We are looking forward to setting up business relationship with you and hope to provide you with the best service and solution. Let us make a better world for our industry!



Contact us

Tel: +86-755-8981 8866 Fax: +86-755-8427 6832

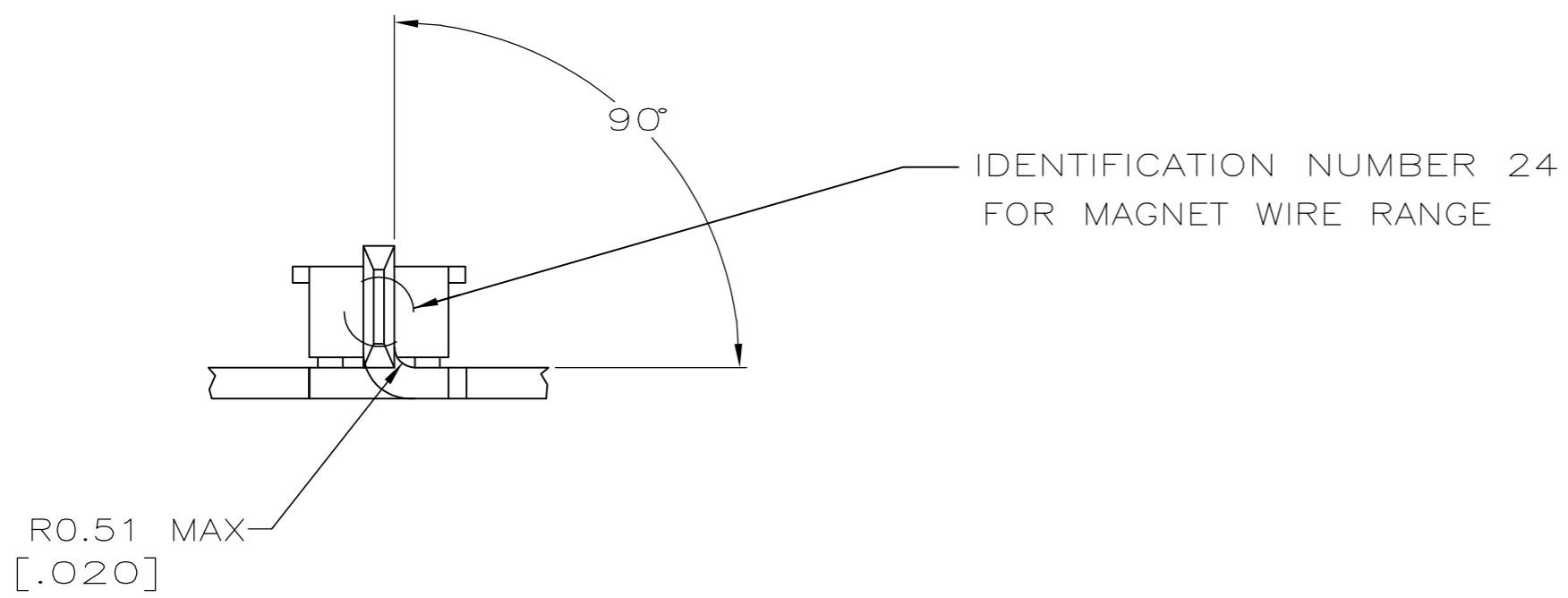
Email & Skype: info@chipsmall.com Web: www.chipsmall.com

Address: A1208, Overseas Decoration Building, #122 Zhenhua RD., Futian, Shenzhen, China

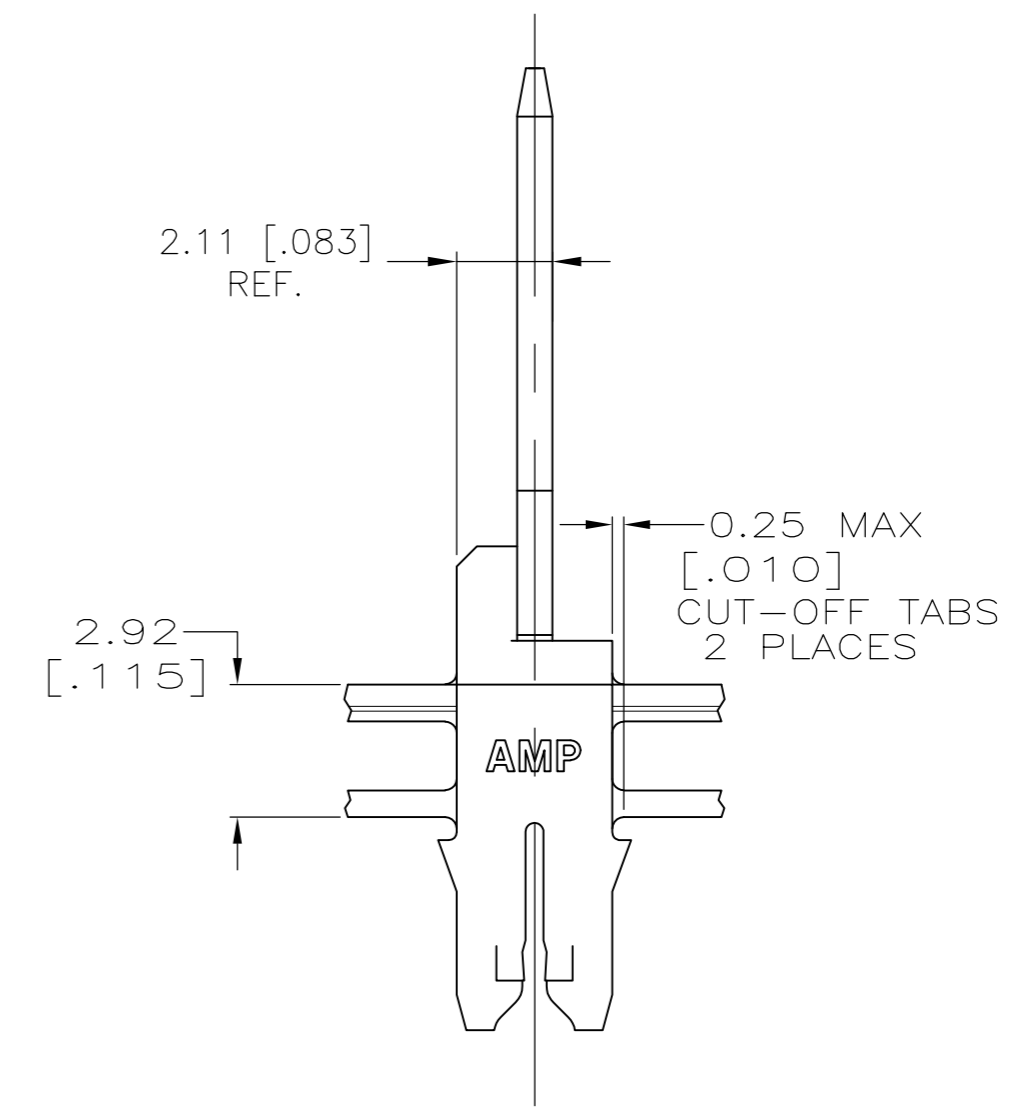
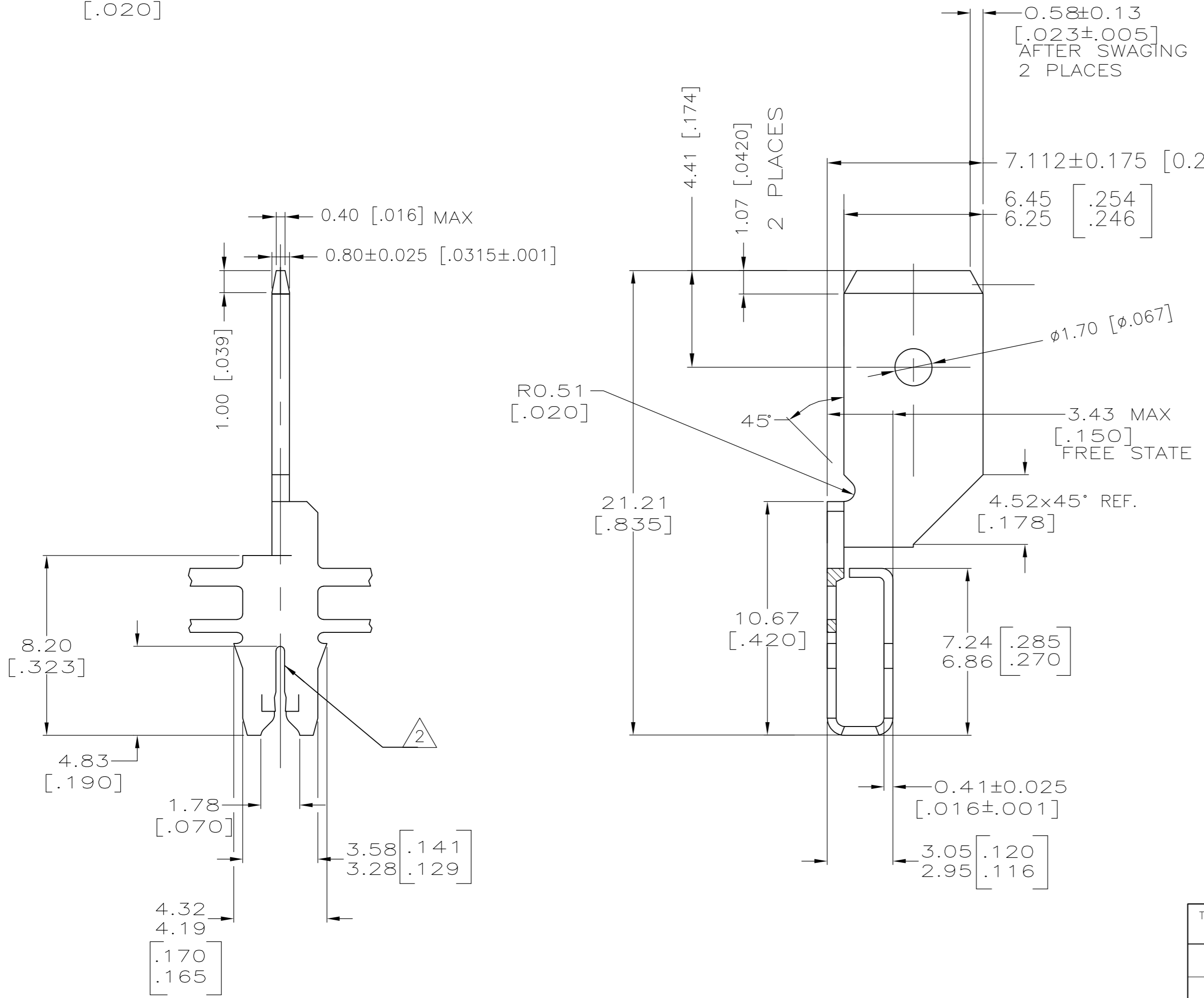


THIS DRAWING IS UNPUBLISHED. RELEASED FOR PUBLICATION
 © COPYRIGHT - By - ALL RIGHTS RESERVED.

LOC		DIST		REVISIONS					
AF		50		P	LTR	DESCRIPTION	DATE	DWN	APVD
				A2		ECR-15-000371	09JAN15	PKS	RRP



- 1 CONTINUOUS STRIP ON REELS WITH TERMINALS LOCATED ON 8.38±0.076 [.330±.003] CENTERS
- 2 SLOT ACCEPTS SINGLE OR DOUBLE 1.05-1.15mm DIA [#18-#17] AWG COPPER OR ALUMINUM MAGNET WIRE
- 3 REFER TO DWG 87-1039-3 FOR ADDITIONAL CAVITY INFORMATION (MODIFIED DEPTH)
- 4 ~~PRE-PRODUCTION FASR REQUIRED~~
- 5 0.0010 [.000040] MIN TIN PLATE



THIS DRAWING IS A CONTROLLED DOCUMENT.		DWN	R.GRZYBOWSKI	24JUN97	 TE Connectivity	WELD		2232556-1					
DIMENSIONS: mm		CHK	M.S.FEHER	24JUN97		SPLICE		PART NUMBER					
TOLERANCES UNLESS OTHERWISE SPECIFIED:		APVD	N.E.NEFF	24JUN97		NAME		TAB, 6.30 [.250] CONNECTING, MAG-MATE					
0 PLC ± -	1 PLC ± -	PRODUCT SPEC	108-2012	SIZE		CAGE CODE	DRAWING NO	RESTRICTED TO					
2 PLC ± 0.25 [.010]	3 PLC ± -	APPLICATION SPEC	114-2046	A2		00779	C=2232556	-					
4 PLC ± -	ANGLES ± 5°	MATERIAL	PRE-MILLED BRASS	FINISH	SEE TABLE	WEIGHT	-	SCALE	6:1	SHEET	1 of 1	REV	A2
CUSTOMER DRAWING													