



Chipsmall Limited consists of a professional team with an average of over 10 year of expertise in the distribution of electronic components. Based in Hongkong, we have already established firm and mutual-benefit business relationships with customers from,Europe,America and south Asia,supplying obsolete and hard-to-find components to meet their specific needs.

With the principle of “Quality Parts,Customers Priority,Honest Operation,and Considerate Service”,our business mainly focus on the distribution of electronic components. Line cards we deal with include Microchip,ALPS,ROHM,Xilinx,Pulse,ON,Everlight and Freescale. Main products comprise IC,Modules,Potentiometer,IC Socket,Relay,Connector.Our parts cover such applications as commercial,industrial, and automotives areas.

We are looking forward to setting up business relationship with you and hope to provide you with the best service and solution. Let us make a better world for our industry!



## Contact us

Tel: +86-755-8981 8866 Fax: +86-755-8427 6832

Email & Skype: info@chipsmall.com Web: www.chipsmall.com

Address: A1208, Overseas Decoration Building, #122 Zhenhua RD., Futian, Shenzhen, China



THIS DRAWING IS UNPUBLISHED.

RELEASED FOR PUBLICATION

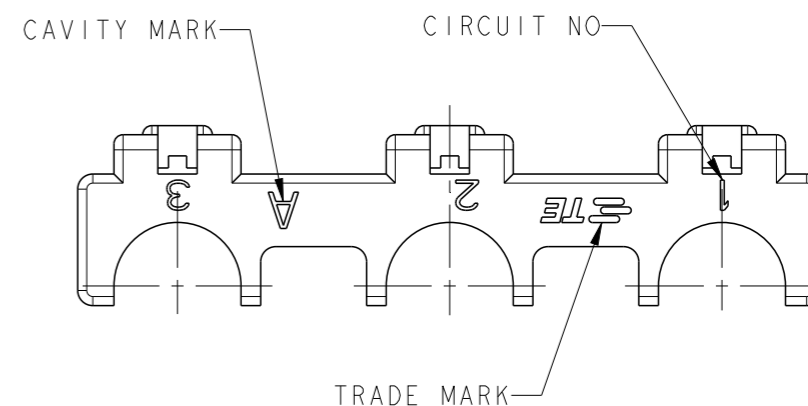
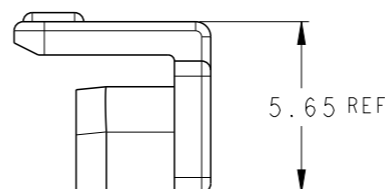
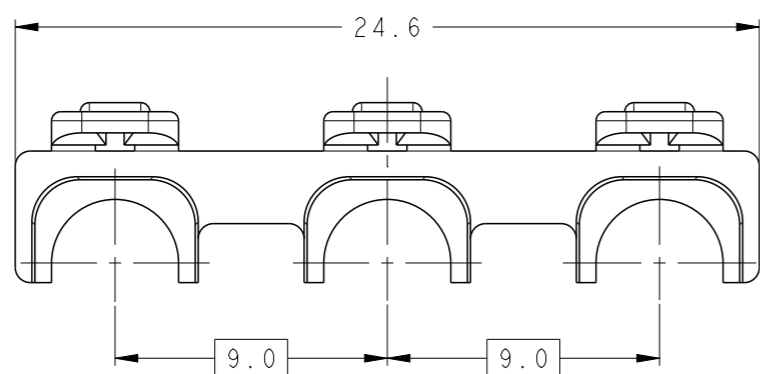
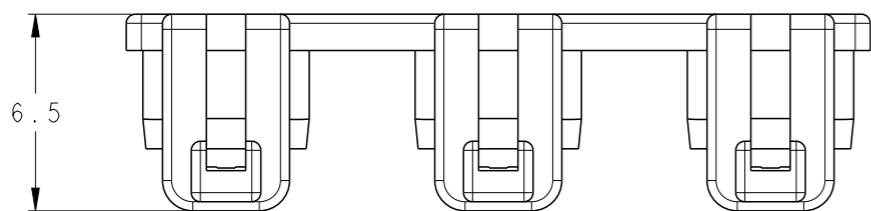
20

© COPYRIGHT 20 BY -

ALL RIGHTS RESERVED.

REVISIONS



P	LTR	DESCRIPTION	DATE	DWN	APVD
	A	PRODUCT RELEASED PER ECR-17-005313	13APR2017	SC	BH



NOTE,

1. APPLICABLE WIRE: UL1015 TYPE, AWG #16~#12

*-1903414-2	BLACK	2232563-1
MATING P/N	COLOR	P/N

THIS DRAWING IS A CONTROLLED DOCUMENT.		DWN SC KIM 26OCT2016	 TE Connectivity			
DIMENSIONS: mm		CHK BH CHO 26OCT2016				
		APVD BW KANG 26OCT2016				
TOLERANCES UNLESS OTHERWISE SPECIFIED: 0 PLC ± ±0.3 1 PLC ± ±5° 2 PLC ± ±5° 3 PLC ± ±5° 4 PLC ± ±5° ANGLES ± ± FINISH -		PRODUCT SPEC 108-78357				
MATERIAL PA66, UL94V-0		APPLICATION SPEC 114-5356	NAME GRACE HI-CURRENT(GHC) 9.0mm 3POS TPA HOUSING			
		WEIGHT -	SIZE A3	CAGE CODE 00779	DRAWING NO C-2232563	RESTRICTED TO -
CUSTOMER DRAWING			SCALE 4:1	SHEET 1 OF 1	REV A	