



Chipsmall Limited consists of a professional team with an average of over 10 year of expertise in the distribution of electronic components. Based in Hongkong, we have already established firm and mutual-benefit business relationships with customers from,Europe,America and south Asia,supplying obsolete and hard-to-find components to meet their specific needs.

With the principle of “Quality Parts,Customers Priority,Honest Operation,and Considerate Service”,our business mainly focus on the distribution of electronic components. Line cards we deal with include Microchip,ALPS,ROHM,Xilinx,Pulse,ON,Everlight and Freescale. Main products comprise IC,Modules,Potentiometer,IC Socket,Relay,Connector.Our parts cover such applications as commercial,industrial, and automotives areas.

We are looking forward to setting up business relationship with you and hope to provide you with the best service and solution. Let us make a better world for our industry!



## Contact us

Tel: +86-755-8981 8866 Fax: +86-755-8427 6832

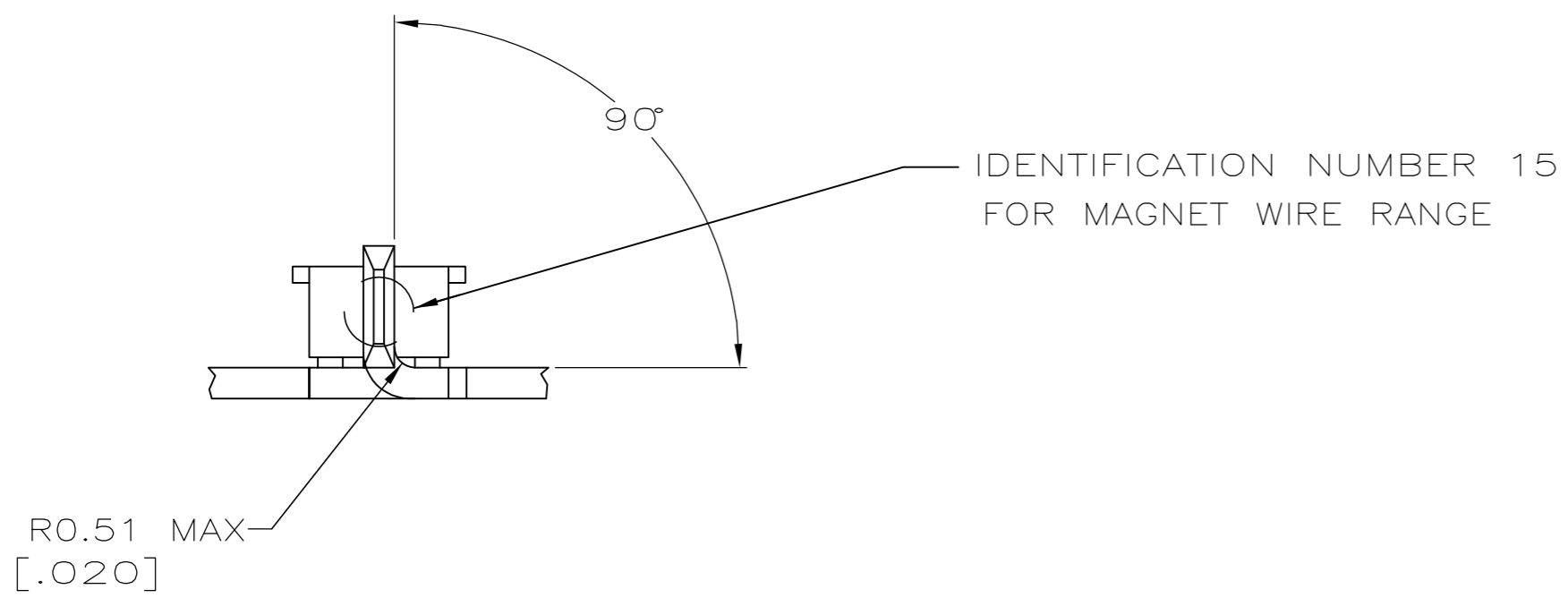
Email & Skype: info@chipsmall.com Web: www.chipsmall.com

Address: A1208, Overseas Decoration Building, #122 Zhenhua RD., Futian, Shenzhen, China

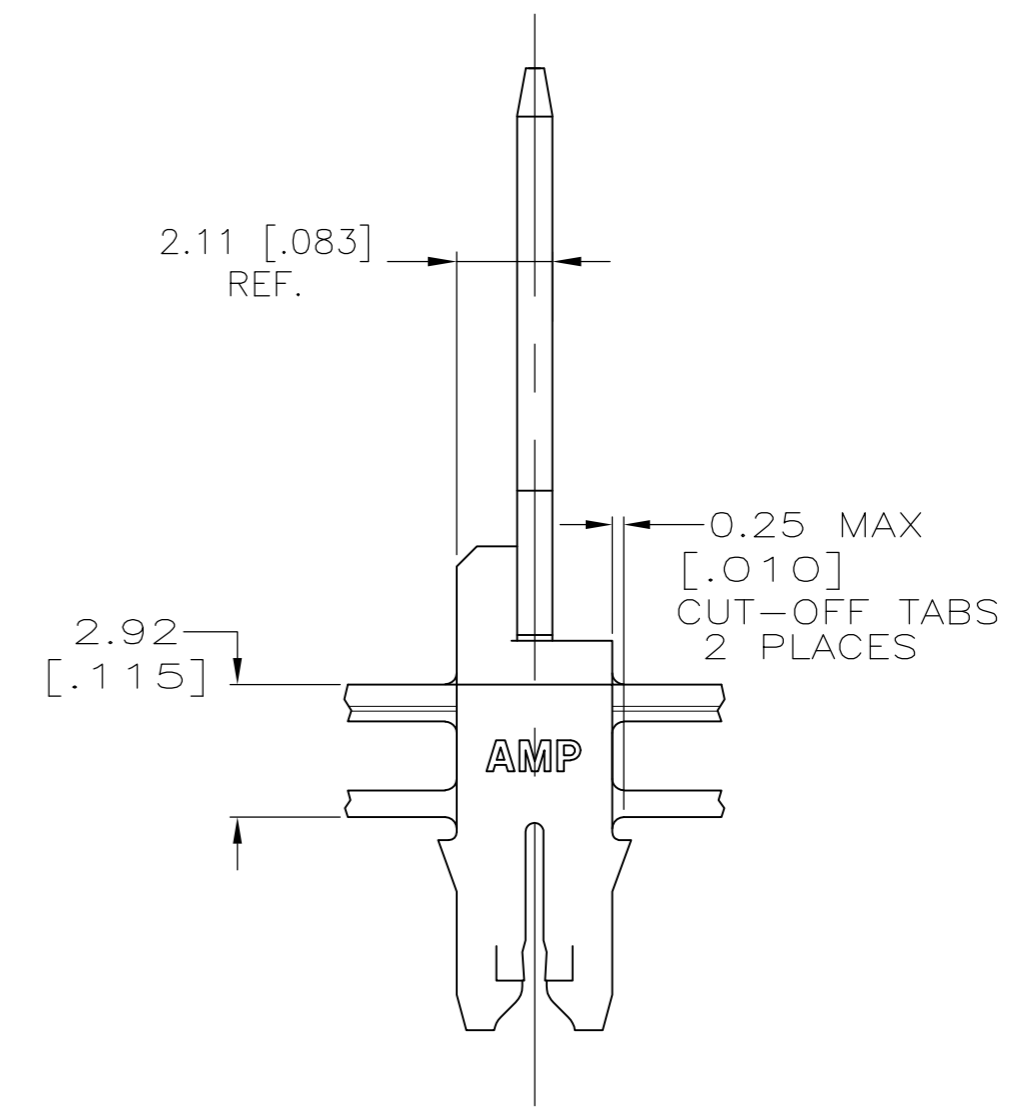
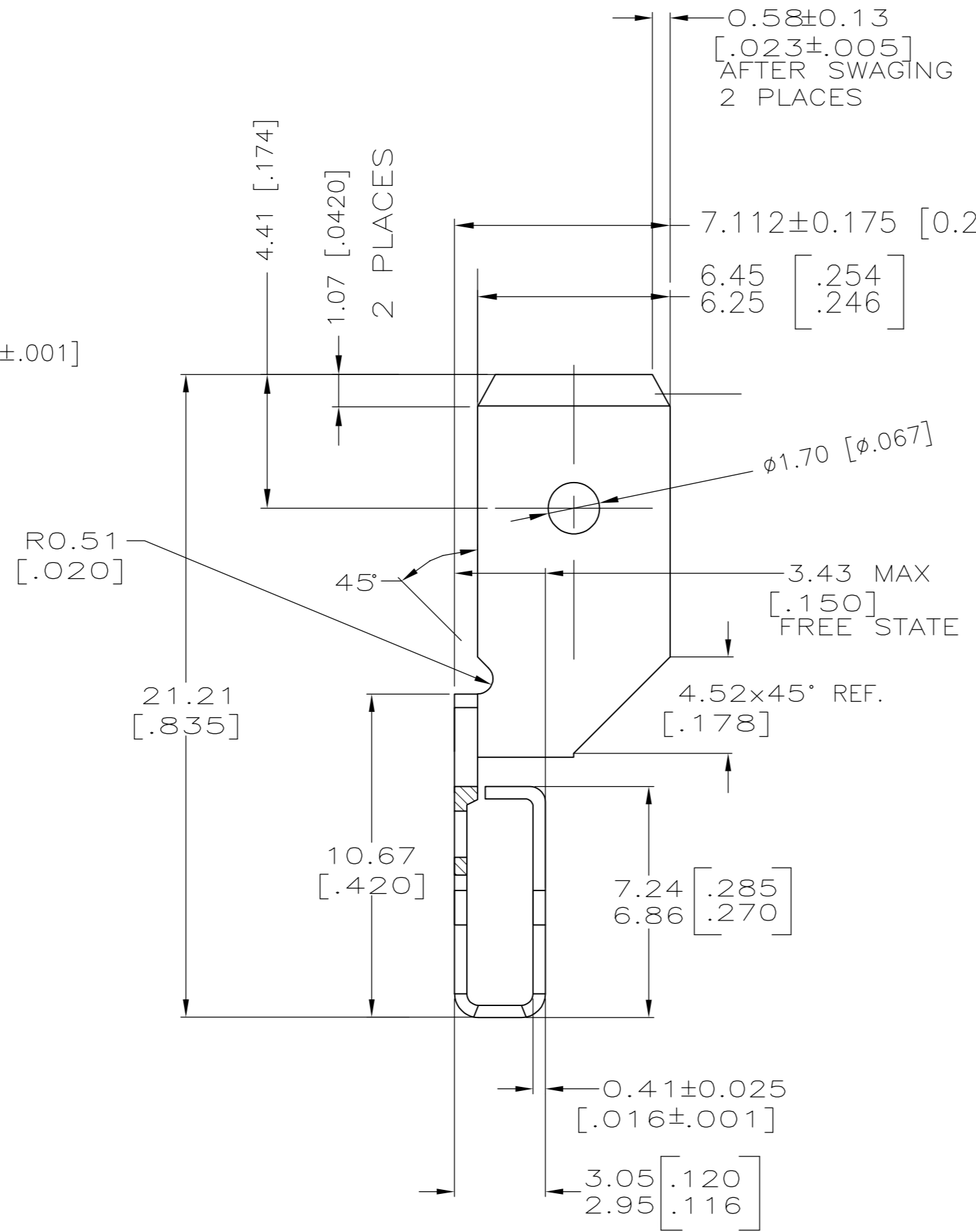
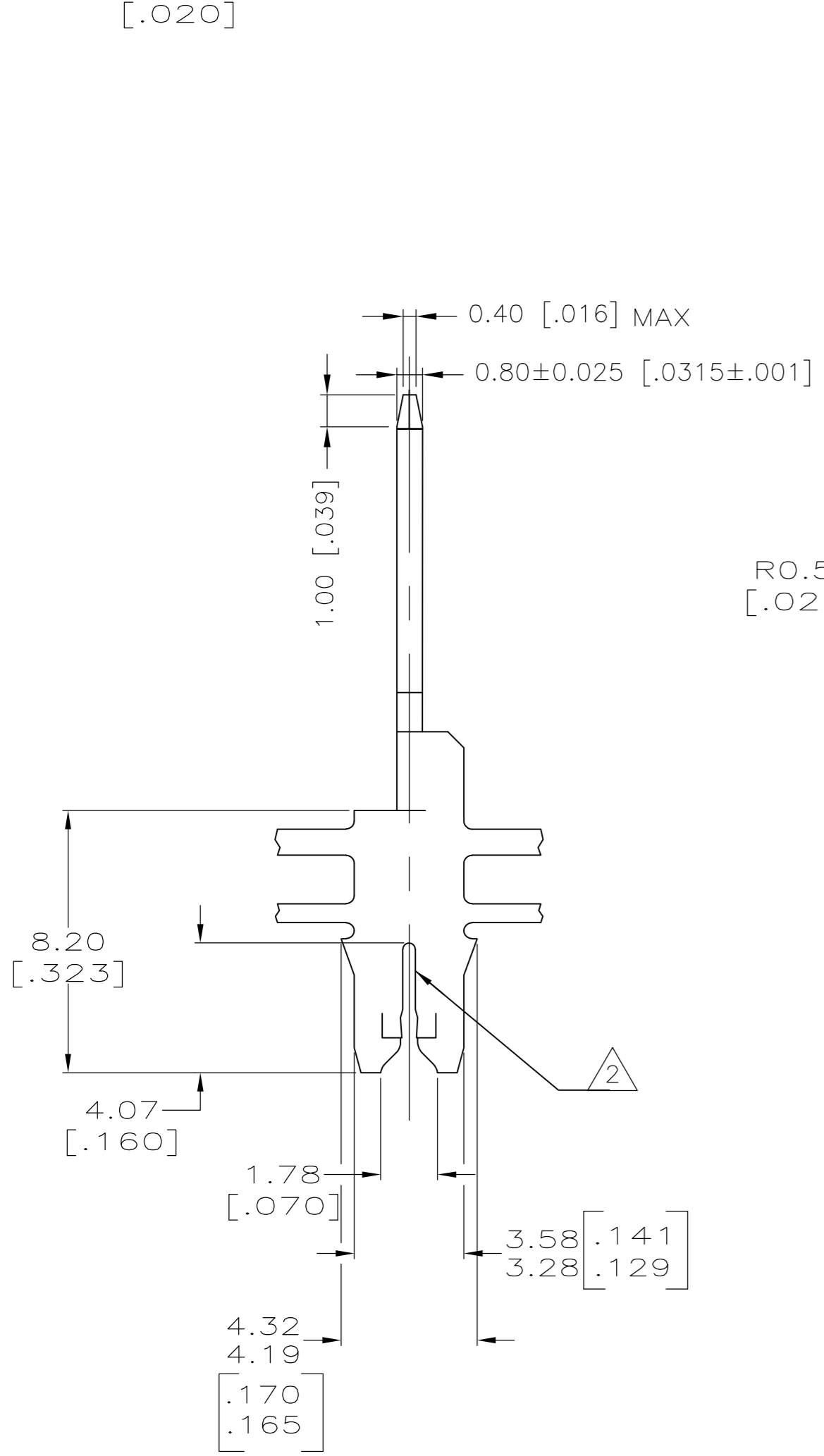


THIS DRAWING IS UNPUBLISHED. RELEASED FOR PUBLICATION  
 © COPYRIGHT - By - ALL RIGHTS RESERVED.

LOC		DIST		REVISIONS			
P	LTR	DESCRIPTION		DATE	DWN	APVD	
AF	50	A1	ECR-14-012274	14AUG14	PKS	RRP	



- 1 CONTINUOUS STRIP ON REELS WITH TERMINALS LOCATED ON 8.38±0.076 [.330±.003] CENTERS
- 2 SLOT ACCEPTS SINGLE OR DOUBLE 0.7-0.9mm DIA [#21-19] AWG ALUMINUM MAGNET WIRE
- 3 REFER TO DWG 87-1039-3 FOR ADDITIONAL CAVITY INFORMATION (MODIFIED DEPTH)
- 4 PRE-PRODUCTION - FASR REQUIRED
- 5 0.0010 [.000040] MIN TIN PLATE



THIS DRAWING IS A CONTROLLED DOCUMENT.		DWN	R.GRZYBOWSKI	24JUN97	FINISH		WELD	2232683-1		
DIMENSIONS: mm		CHK	M.S.FEHER	24JUN97	SPLICE		PART NUMBER			
TOLERANCES UNLESS OTHERWISE SPECIFIED:		APVD	N.E.NEFF	24JUN97	NAME		TE Connectivity			
0 PLC	± -	PRODUCT SPEC	108-2012		TAB, 6.30 [.250] CONNECTING, MAG-MATE		-			
1 PLC	± -	APPLICATION SPEC	114-2046		SIZE	A2	CAGE CODE	00779	DRAWING NO	C=2232683
2 PLC	± 0.25 [.010]	FINISH	SEE TABLE		SCALE	6:1	SHEET	1 of 1	REV	A1
3 PLC	± -	MATERIAL		PRE-MILLED BRASS	CUSTOMER DRAWING					
4 PLC	± -	WEIGHT		-						
ANGLES	± 5°	RESTRICTED TO								