



Chipsmall Limited consists of a professional team with an average of over 10 year of expertise in the distribution of electronic components. Based in Hongkong, we have already established firm and mutual-benefit business relationships with customers from,Europe,America and south Asia,supplying obsolete and hard-to-find components to meet their specific needs.

With the principle of “Quality Parts,Customers Priority,Honest Operation,and Considerate Service”,our business mainly focus on the distribution of electronic components. Line cards we deal with include Microchip,ALPS,ROHM,Xilinx,Pulse,ON,Everlight and Freescale. Main products comprise IC,Modules,Potentiometer,IC Socket,Relay,Connector.Our parts cover such applications as commercial,industrial, and automotives areas.

We are looking forward to setting up business relationship with you and hope to provide you with the best service and solution. Let us make a better world for our industry!



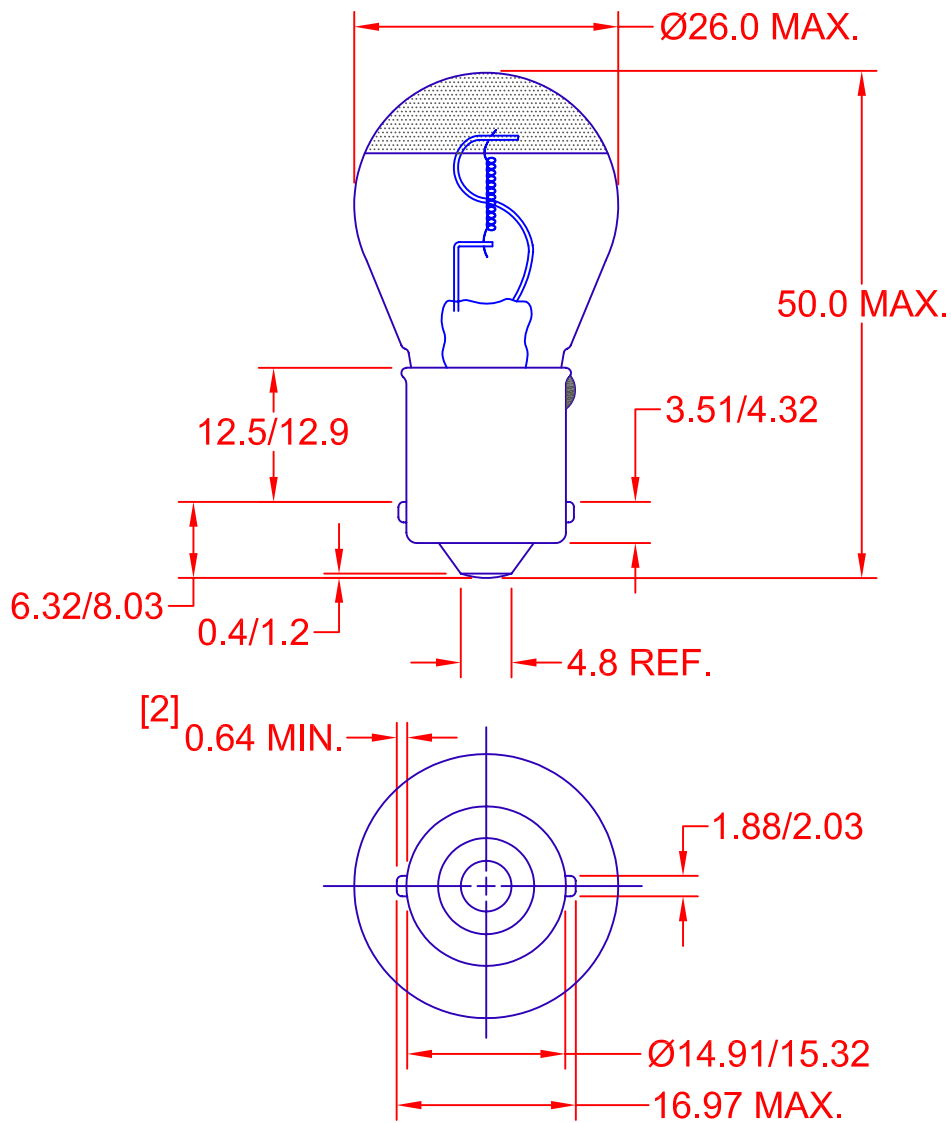
## Contact us

Tel: +86-755-8981 8866 Fax: +86-755-8427 6832

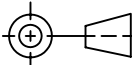
Email & Skype: info@chipsmall.com Web: www.chipsmall.com

Address: A1208, Overseas Decoration Building, #122 Zhenhua RD., Futian, Shenzhen, China





JKL LAMP NUMBER	VOLTS RATED	AMPS ±10%	MSCP ±25%	LUMENS ±25%	AVERAGE LIFE HRS.	FILAMENT TYPE
2232SB	28.0	.643	17.0	213.7	2,000	CC-8

		<b>METRIC</b>  THIRD ANGLE PROJECTION		DIMENSIONS ARE IN MILLIMETERS TOLERANCE UNLESS OTHERWISE SPECIFIED 1 PL +/- 0.2 2 PL +/- 0.20 ANGLE +/- 0		<b>JKL COMPONENTS CORPORATION</b> TITLE <b>S-8 SINGLE CONTACT BAYONET BASE LAMP</b>					
DRAWN BY		APPV'D BY		DATE	SIZE	FSCM NO.	DRAWING NO.				
L. WENGSTROM		J.K.		6/28/05	<b>A</b>	<b>55335</b>	<b>2232SB</b>				
RELEASED AS CAD		6/28/05		- CAD DRAWING -			SCALE	RELEASED DATE	REVISION DATE	REV. NO.	SHEET
REV. NO.		DESCRIPTION/ECO NUMBER		MANUAL REVISIONS NOT PERMITTED		NONE		6/28/05			1 OF 1