



Chipsmall Limited consists of a professional team with an average of over 10 year of expertise in the distribution of electronic components. Based in Hongkong, we have already established firm and mutual-benefit business relationships with customers from,Europe,America and south Asia,supplying obsolete and hard-to-find components to meet their specific needs.

With the principle of “Quality Parts,Customers Priority,Honest Operation,and Considerate Service”,our business mainly focus on the distribution of electronic components. Line cards we deal with include Microchip,ALPS,ROHM,Xilinx,Pulse,ON,Everlight and Freescale. Main products comprise IC,Modules,Potentiometer,IC Socket,Relay,Connector.Our parts cover such applications as commercial,industrial, and automotives areas.

We are looking forward to setting up business relationship with you and hope to provide you with the best service and solution. Let us make a better world for our industry!



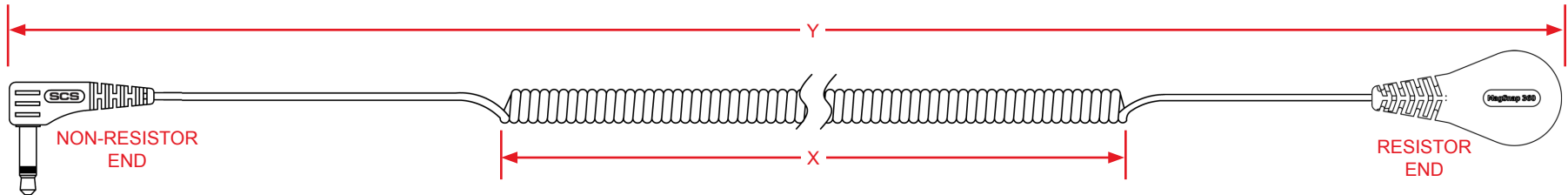
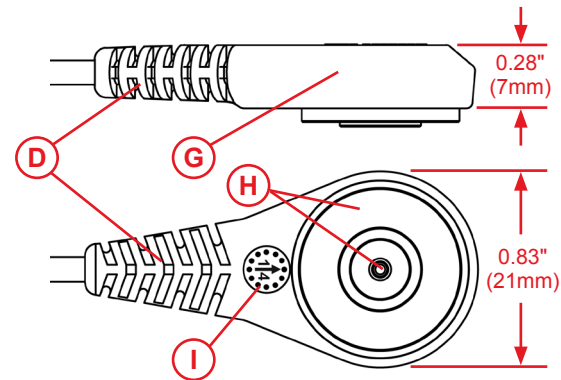
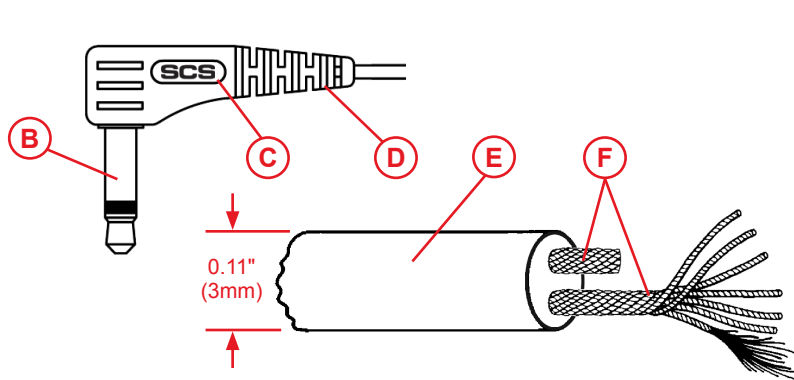
Contact us

Tel: +86-755-8981 8866 Fax: +86-755-8427 6832

Email & Skype: info@chipsmall.com Web: www.chipsmall.com

Address: A1208, Overseas Decoration Building, #122 Zhenhua RD., Futian, Shenzhen, China





- A. Underwriters Laboratory Listing 90P1C.
- B. Compatible with [SCS Dual-Wire Continuous Monitors](#) and other brands that accept a 3.5mm phono plug.
- C. SCS logo molded in compliance with ANSI/ESD S1.1.
- D. Thermoplastic elastomer strain relief molded on.
- E. Relaxed retraction coil cord reduces tug on wearer's wrist. Black PVC insulation. Break load average 30 pounds.

- F. Dual T-3067 tinsel conductor. Consists of stranded polyester wrapped in copper. Equivalent to 29 gauge (cir mil and/or ohms).
- G. 1 megohm ($\pm 5\%$) current limiting resistors on both conductors.
- H. Unique dual contact design is to be paired with a [SCS MagSnap 360™ Wristband](#) (not included) for a superior electrical connection. The magnetic connection made with the wristband maintains a 1-5 pound perpendicular breakaway force to prevent accidental disconnects. Spring loaded center contact rated to 1 million cycles.
- I. Date coded with date of manufacture in compliance with ANSI/ESD S1.1.

Meets required limits of ANSI/ESD S20.20 and requirements of ANSI/ESD S1.1.

Item	Mold Color	Mono Plug Tip Diameter	Retracted Length		Extended Length	
			X	Y	Nominal	Max
2234	Grey	0.116"	12"	20"	6'	8.5'
2235	Grey	0.116"	24"	32"	12'	17'
2236	Grey	0.116"	30"	38"	20'	22'

U.S. Patent Pending

Unless otherwise noted, tolerance $\pm 10\%$

Specifications and procedures subject to change without notice.

MAGSNAP 360™ DUAL-WIRE COIL CORD

926 JR Industrial Drive, Sanford, NC 27332
 WEB SITE: StaticControl.com
 PHONE (919) 718-0000

DRAWING NUMBER
2234

DATE
August 2015

