



Chipsmall Limited consists of a professional team with an average of over 10 year of expertise in the distribution of electronic components. Based in Hongkong, we have already established firm and mutual-benefit business relationships with customers from,Europe,America and south Asia,supplying obsolete and hard-to-find components to meet their specific needs.

With the principle of “Quality Parts,Customers Priority,Honest Operation,and Considerate Service”,our business mainly focus on the distribution of electronic components. Line cards we deal with include Microchip,ALPS,ROHM,Xilinx,Pulse,ON,Everlight and Freescale. Main products comprise IC,Modules,Potentiometer,IC Socket,Relay,Connector.Our parts cover such applications as commercial,industrial, and automotives areas.

We are looking forward to setting up business relationship with you and hope to provide you with the best service and solution. Let us make a better world for our industry!



Contact us

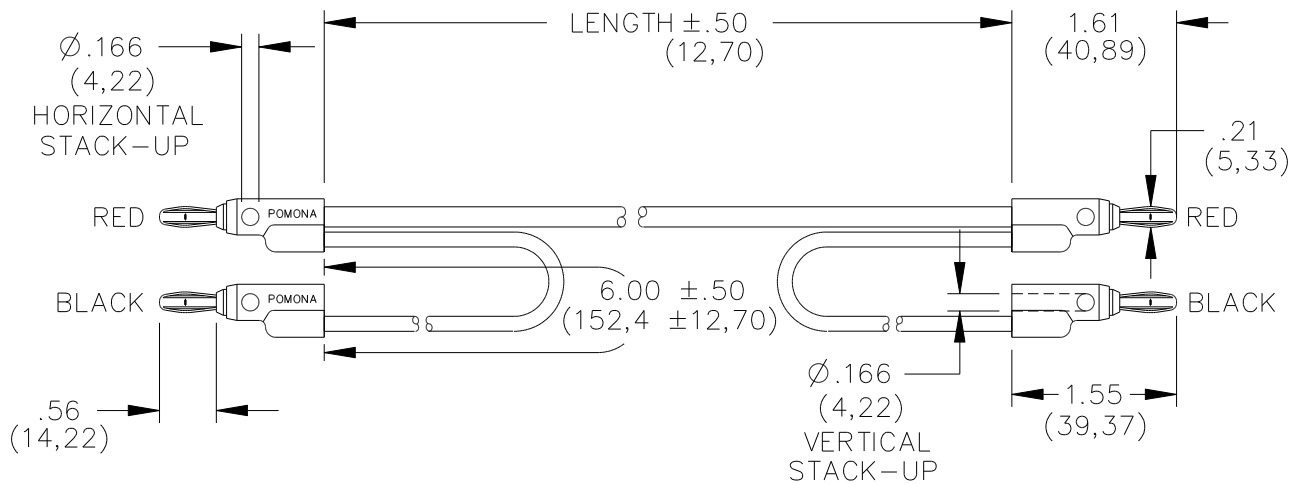
Tel: +86-755-8981 8866 Fax: +86-755-8427 6832

Email & Skype: info@chipsmall.com Web: www.chipsmall.com

Address: A1208, Overseas Decoration Building, #122 Zhenhua RD., Futian, Shenzhen, China



Model 2239 Single Stacking Banana Plugs Both Ends Cable Assembly



MATERIALS:

Banana Plugs:

Plug Body: Brass, Nickel Plated

Spring: Beryllium Copper, Nickel Plated

Insulation: Polypropylene Molded to the Plug Bodies, Cable and Wires. Color: 2 Red and 2 Black

Marking: POMONA ELECTRONICS POMONA CALIFORNIA

Cable: RG58C/U, Cap. pf/ft.-30.8, Nom. Imp.-50 Ω , cable dia. .195

Marking: POMONA 2239-C-XX

Wire: 18 AWG, Stranding 65 x 36 t.c., PVC Insulated .144" (3,66) O.D.

Color: Black.

RATINGS:

Operating Temperature: +55°C Max.

Operating Voltage: 1400 VRMS.

ORDERING INFORMATION: Model 2239-C-XX

XX = Cable Length, Standard Lengths: 24" (60,96cm), 36" (91,44cm), 48" (121,92cm).

Additional lengths can be quoted upon request.

Ordering Example: 2239-C-24 Cable Assembly is 24" (60,96cm).

All dimensions are in inches. Tolerances (except noted): .xx = $\pm .02$ " (.51 mm), .xxx = $\pm .005$ " (.127 mm).

All specifications are to the latest revisions. Specifications are subject to change without notice.

Registered trademarks are the property of their respective companies. Made in USA