



Chipsmall Limited consists of a professional team with an average of over 10 year of expertise in the distribution of electronic components. Based in Hongkong, we have already established firm and mutual-benefit business relationships with customers from,Europe,America and south Asia,supplying obsolete and hard-to-find components to meet their specific needs.

With the principle of “Quality Parts,Customers Priority,Honest Operation,and Considerate Service”,our business mainly focus on the distribution of electronic components. Line cards we deal with include Microchip,ALPS,ROHM,Xilinx,Pulse,ON,Everlight and Freescale. Main products comprise IC,Modules,Potentiometer,IC Socket,Relay,Connector.Our parts cover such applications as commercial,industrial, and automotives areas.

We are looking forward to setting up business relationship with you and hope to provide you with the best service and solution. Let us make a better world for our industry!



## Contact us

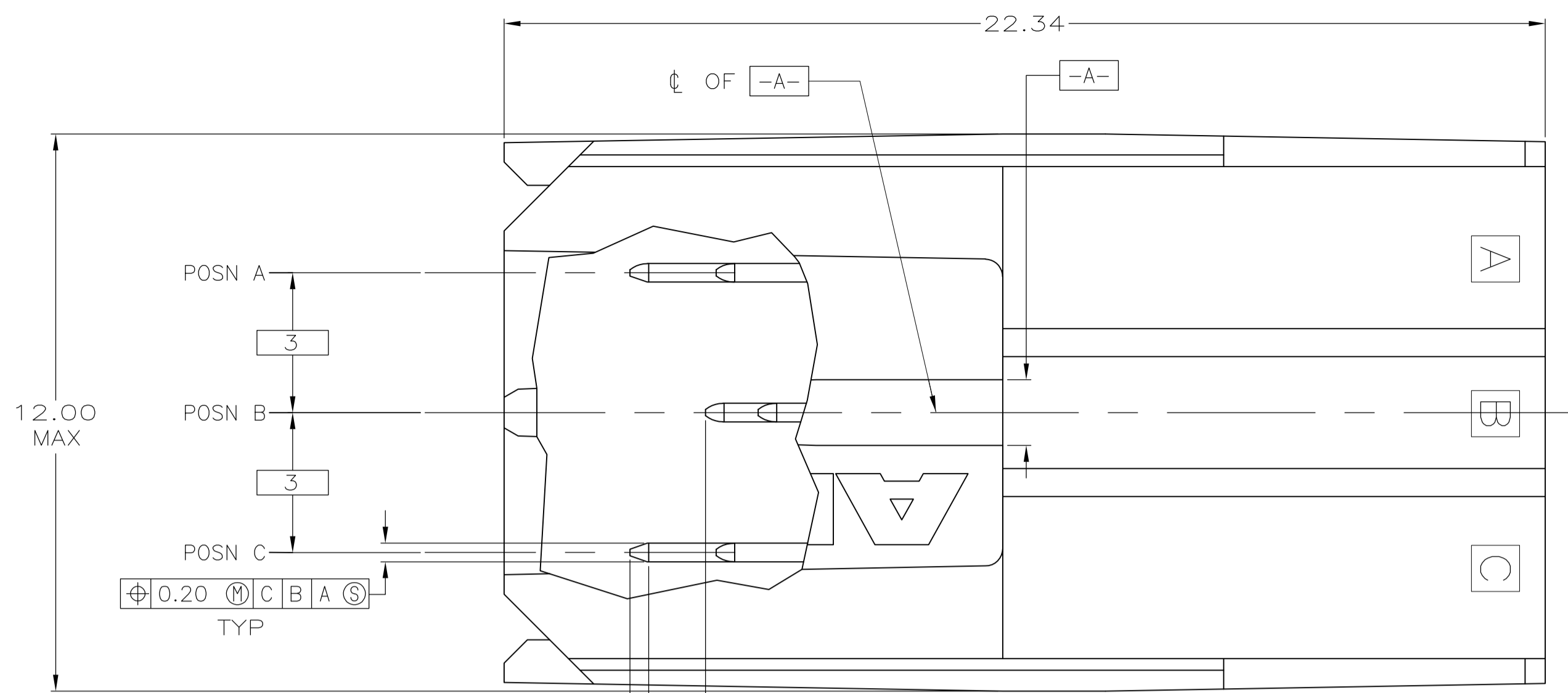
Tel: +86-755-8981 8866 Fax: +86-755-8427 6832

Email & Skype: info@chipsmall.com Web: www.chipsmall.com

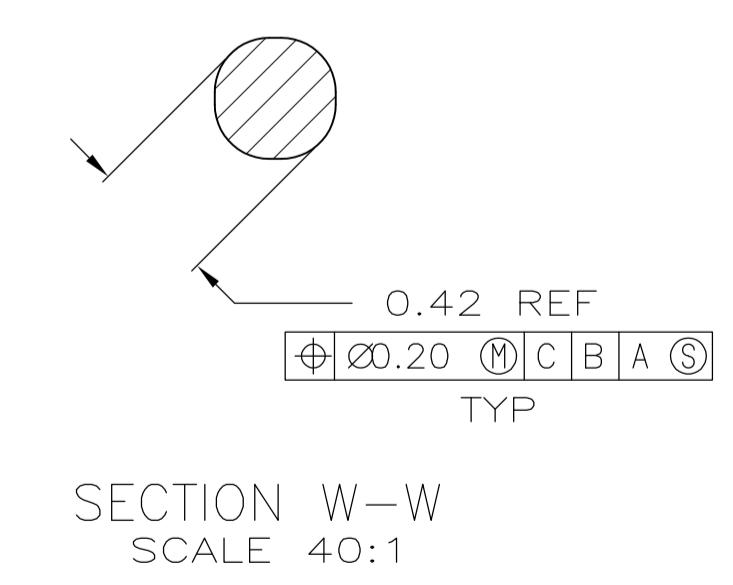
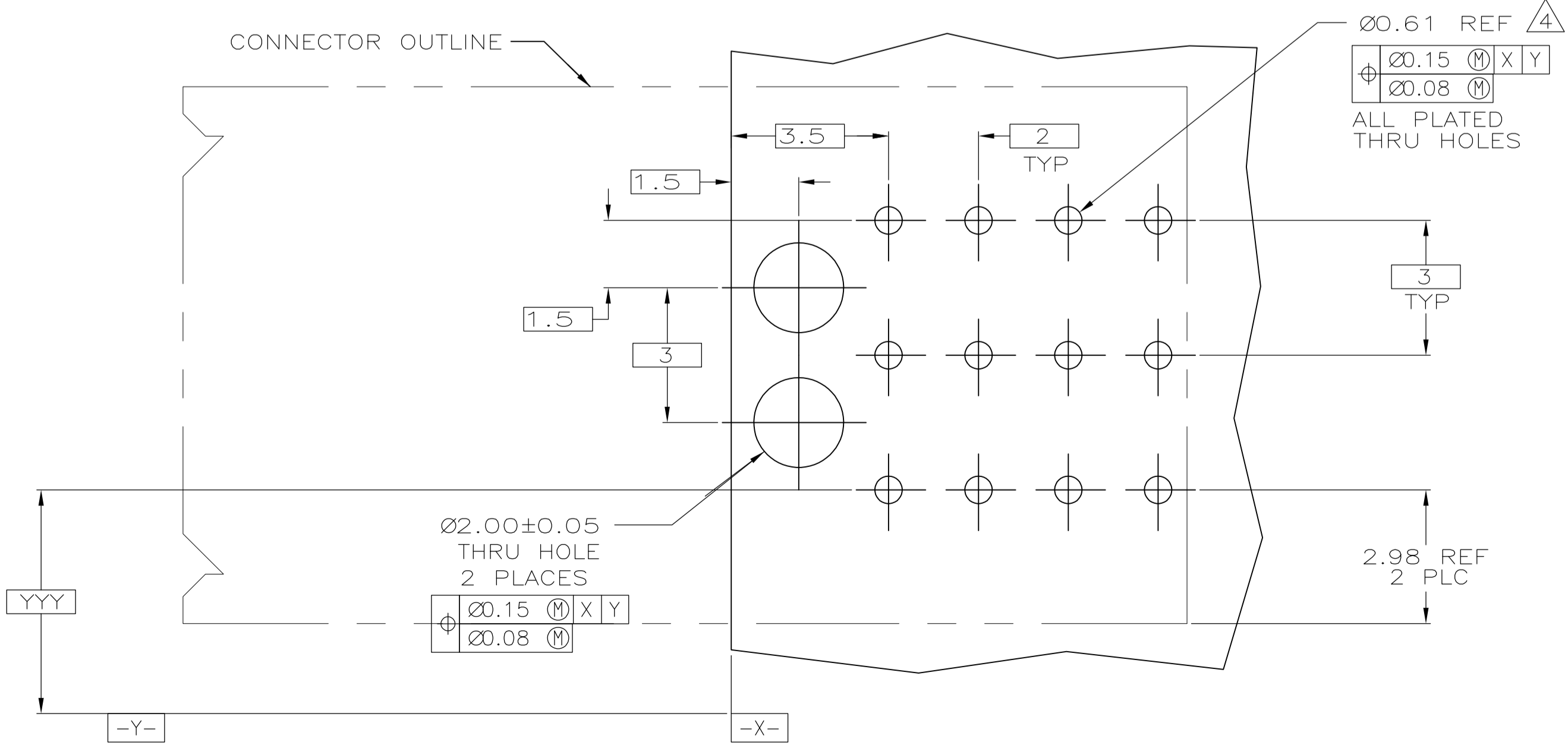
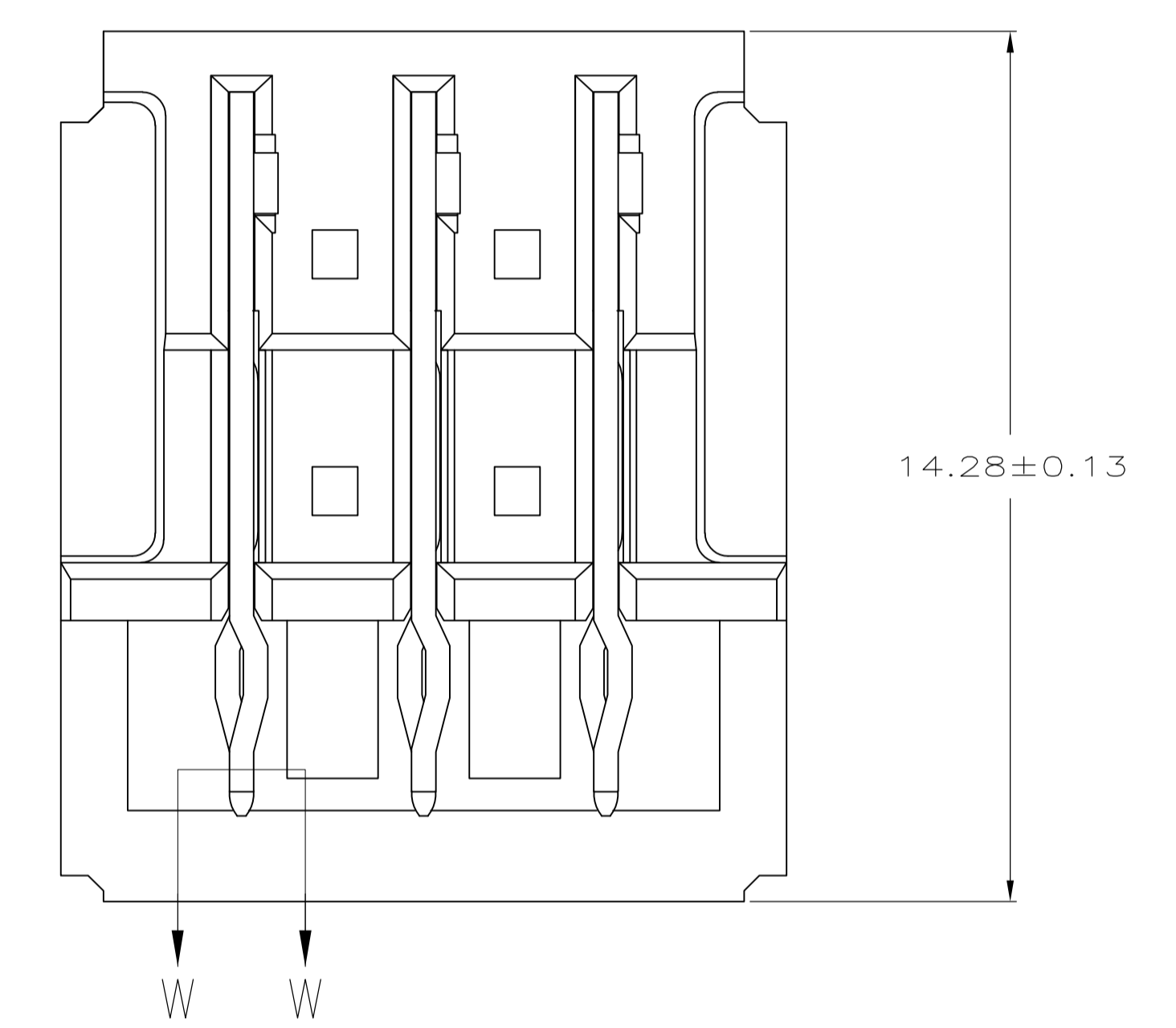
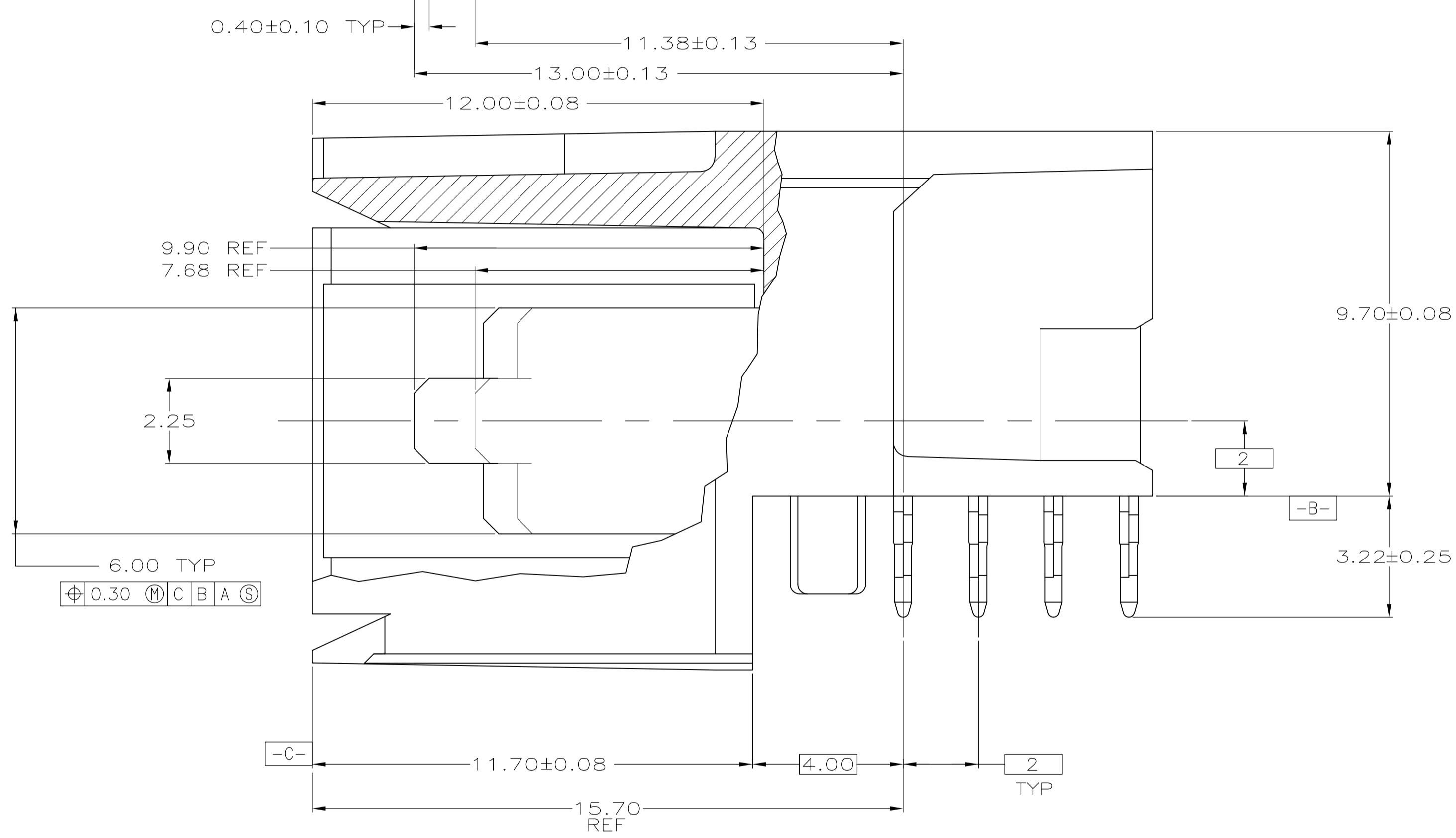
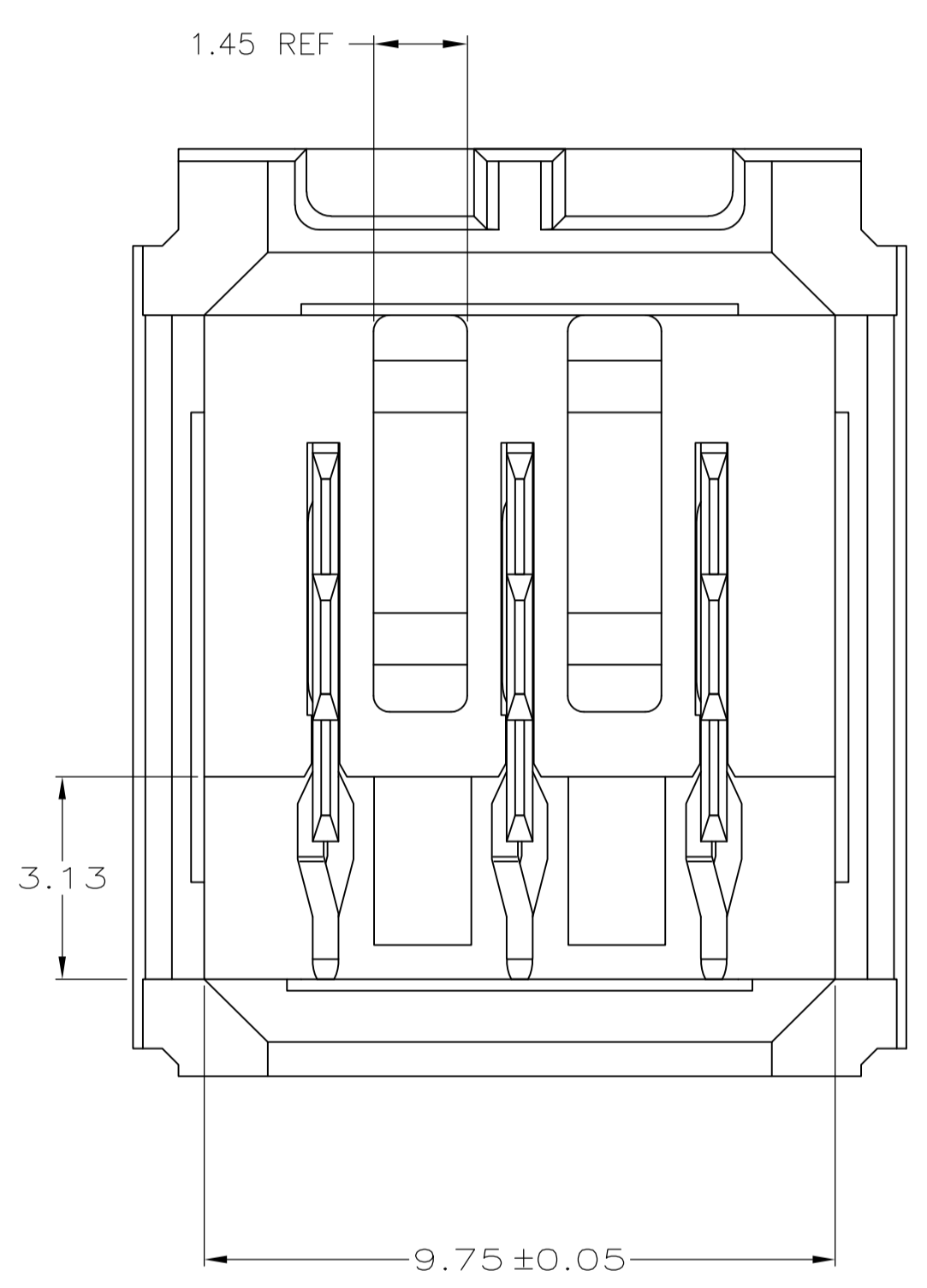
Address: A1208, Overseas Decoration Building, #122 Zhenhua RD., Futian, Shenzhen, China



LOC		DIST		REVISIONS			
F	LTR	DESCRIPTION	DATE	DN	APVD		
F		REVISED PER ECO-11-000045	04JAN11	DH	DY		



- 1 MATERIAL: HOUSING: POLYESTER, COLOR: GRAY, UL 94V-0. CONTACT: PHOSPHOR BRONZE.
- 2 FINISH: CONTACT MATING AREA: 1.27µm MIN GOLD OR 0.08µm MIN GOLD OVER 0.76µm MIN PALLADIUM-NICKEL. ACTION PIN AREA: 0.5µm MIN TIN LEAD PLATE, ALL OVER 1.27µm MIN NICKEL UNDERPLATE.
- 3 FINISH: CONTACT LUBRICATION WITH BELLCORE APPROVED LUBRICANT. TECHNICAL REFERENCE: TR-NWT-001217 ISSUE 1, SEPT 1992.
- 4 REFERENCE APPLICATION SPEC 114-1103 FOR RECOMMENDED PLATED THRU HOLE DIAMETER AND PLATING THICKNESSES.
- 5. CURRENT RATING 10A/CONTACT PER PRODUCT SPEC 108-1651.



223965-1  
PART NUMBER

THIS DRAWING IS A CONTROLLED DOCUMENT.		DIN R. BUCHHEISTER 08/AUG/96	Tyco Electronics Corporation Harrisburg, PA 17105-3608
DIMENSIONS: mm		CHK R. RELICKER 08/AUG/96	
TOLERANCES UNLESS OTHERWISE SPECIFIED:		NAME R. RELICKER 08/AUG/96	ASSEMBLY, RIGHT ANGLE HEADER, W/ RETENTION PEGS, SEQUENCED, UNIVERSAL POWER MODULE
0 PLC ± -		APPLICATION SPEC	SIZE A1
1 PLC ± -		WEIGHT	CAGE CODE DRAWING NO. 00779
2 PLC ± 0.13		RESTRICTED TO	SCALE 10:1 SHEET 1 OF 1 REV F
3 PLC ± -			
4 PLC ± -			
ANGLES ± -			
MATERIAL 1			
FINISH 2, 3			