



Chipsmall Limited consists of a professional team with an average of over 10 year of expertise in the distribution of electronic components. Based in Hongkong, we have already established firm and mutual-benefit business relationships with customers from,Europe,America and south Asia,supplying obsolete and hard-to-find components to meet their specific needs.

With the principle of “Quality Parts,Customers Priority,Honest Operation,and Considerate Service”,our business mainly focus on the distribution of electronic components. Line cards we deal with include Microchip,ALPS,ROHM,Xilinx,Pulse,ON,Everlight and Freescale. Main products comprise IC,Modules,Potentiometer,IC Socket,Relay,Connector.Our parts cover such applications as commercial,industrial, and automotives areas.

We are looking forward to setting up business relationship with you and hope to provide you with the best service and solution. Let us make a better world for our industry!



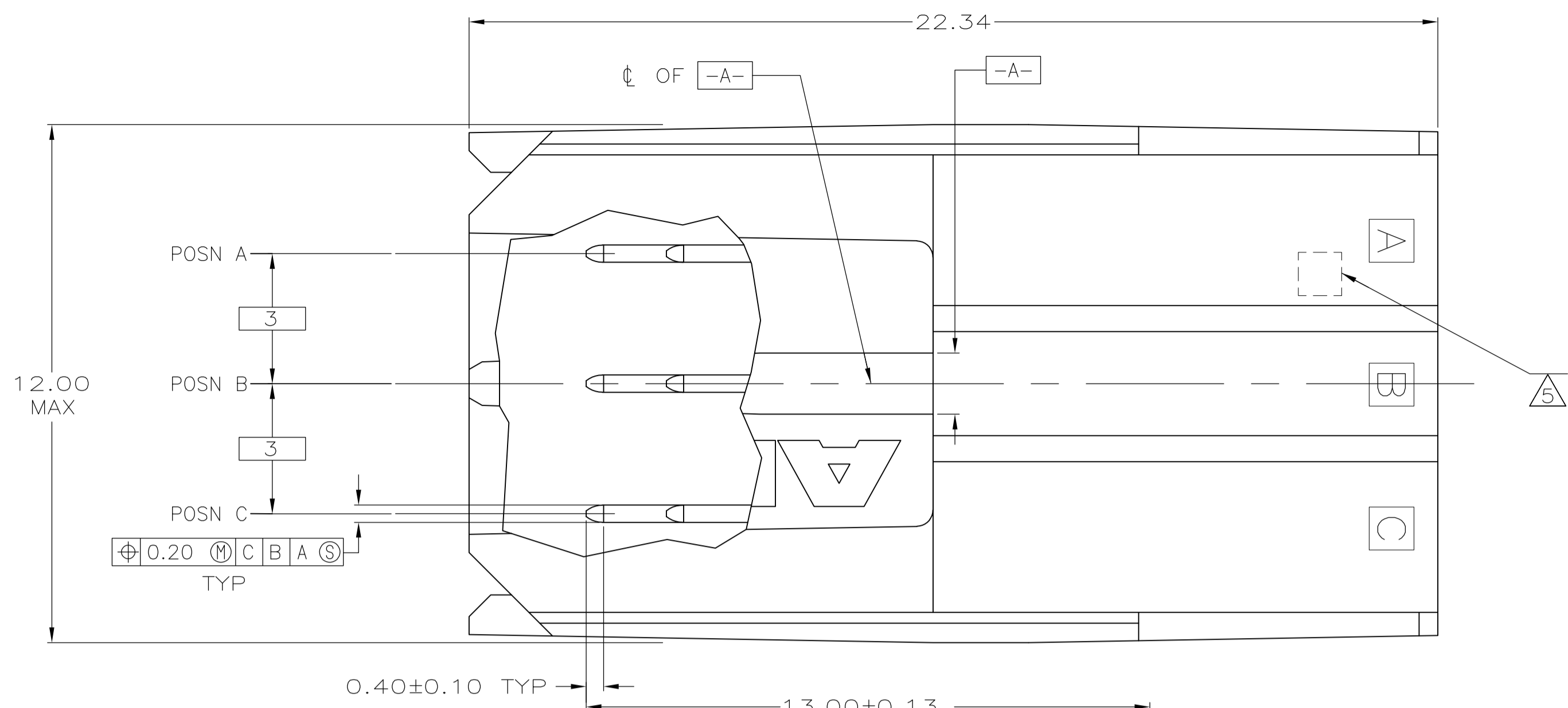
Contact us

Tel: +86-755-8981 8866 Fax: +86-755-8427 6832

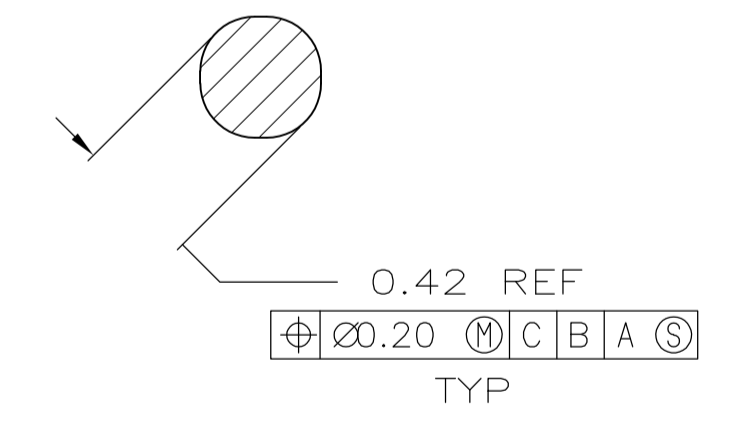
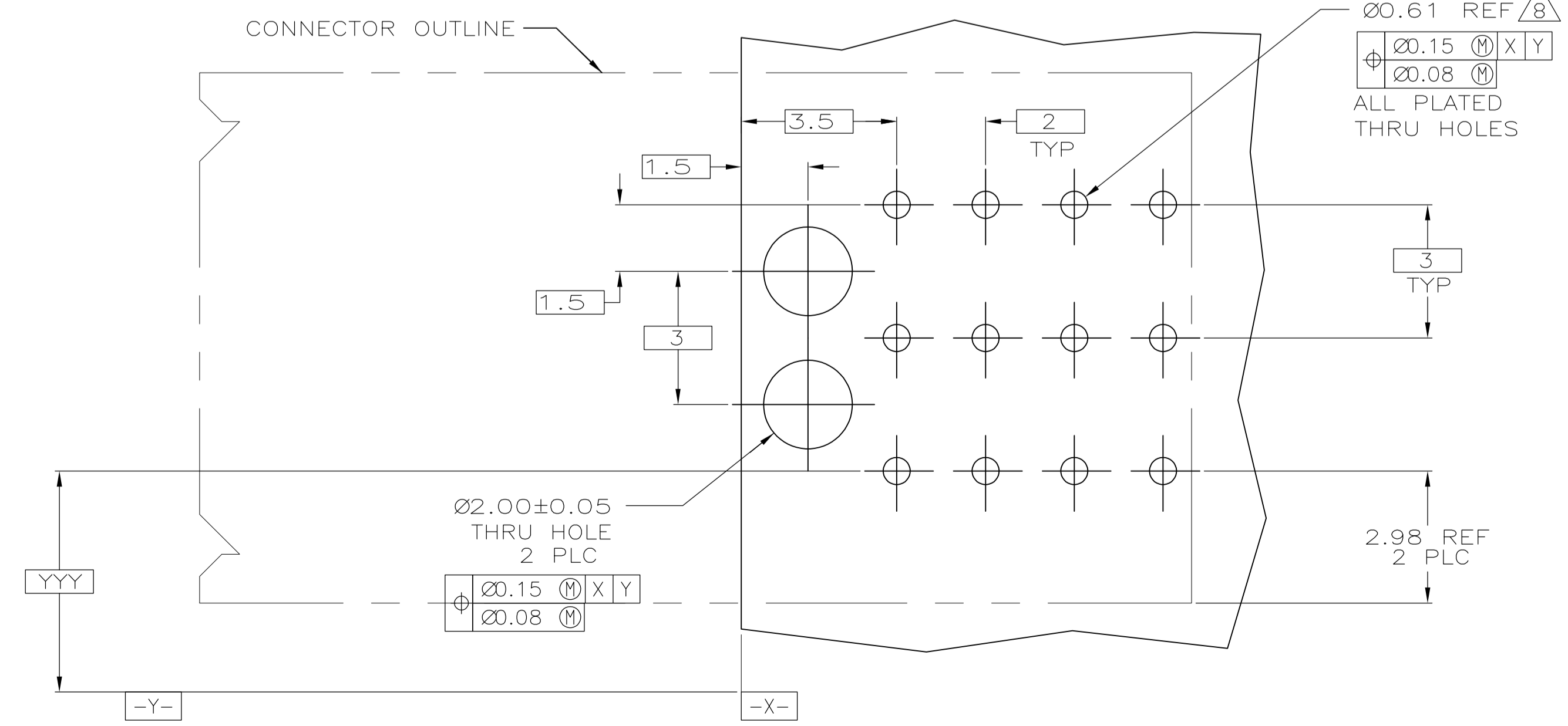
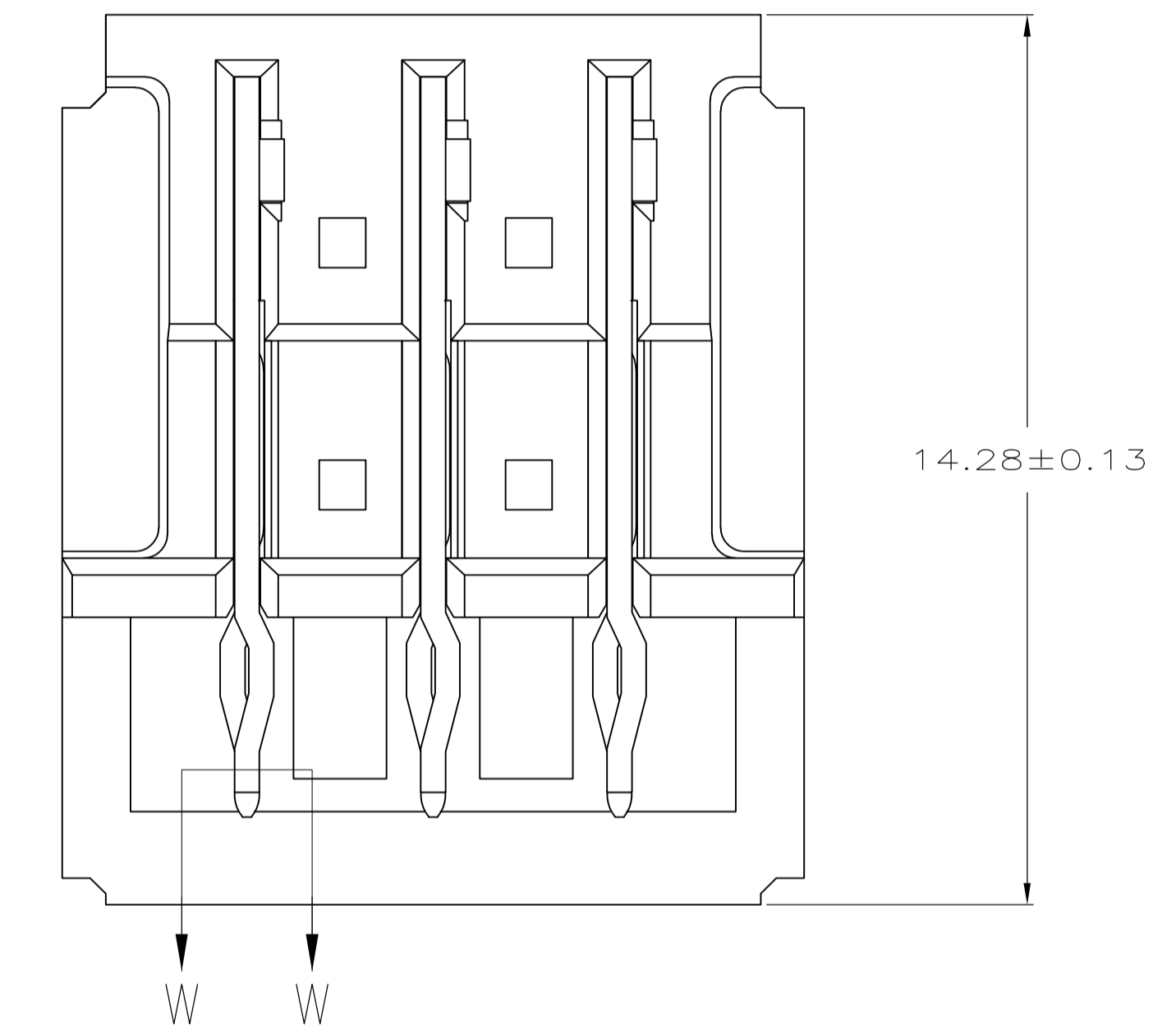
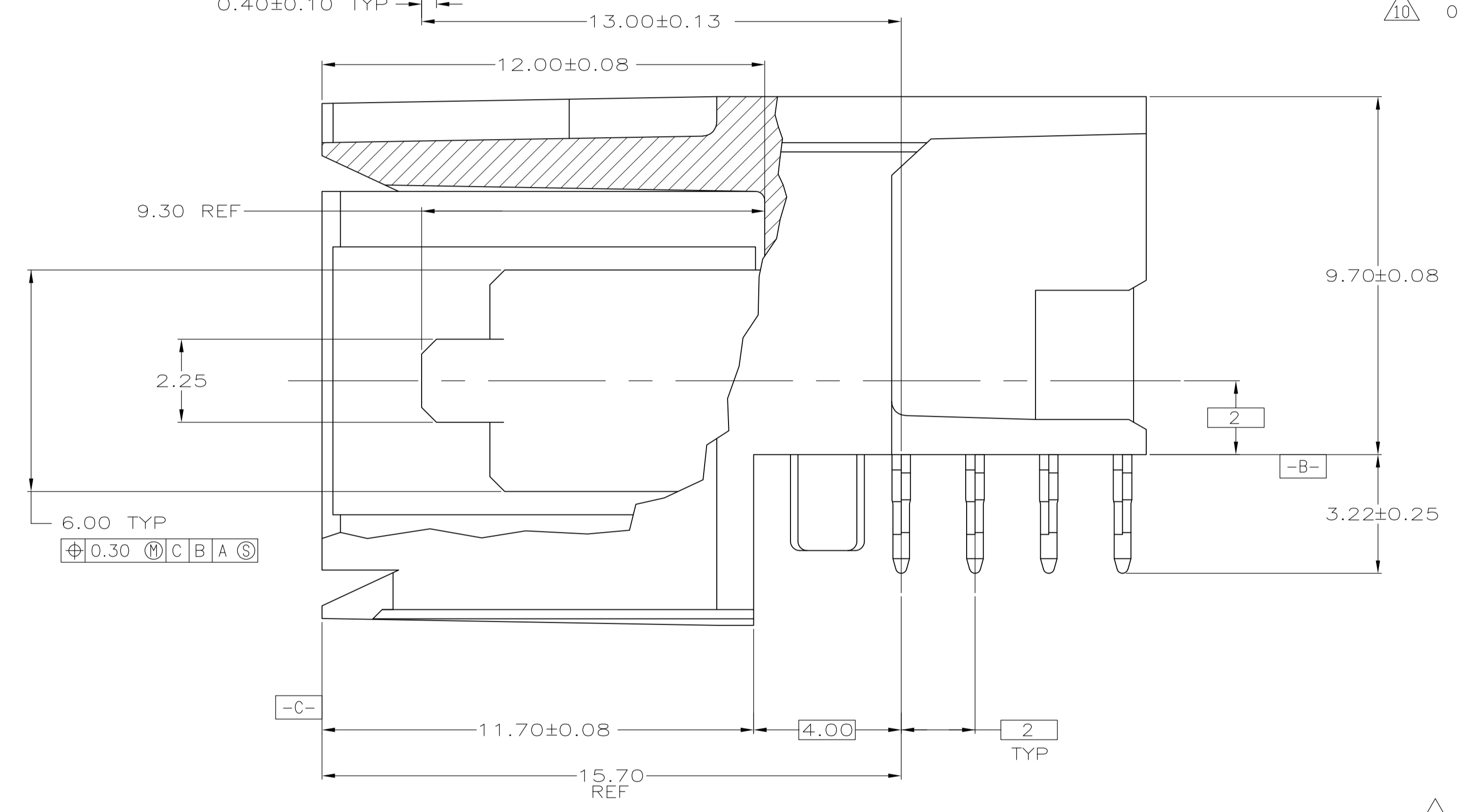
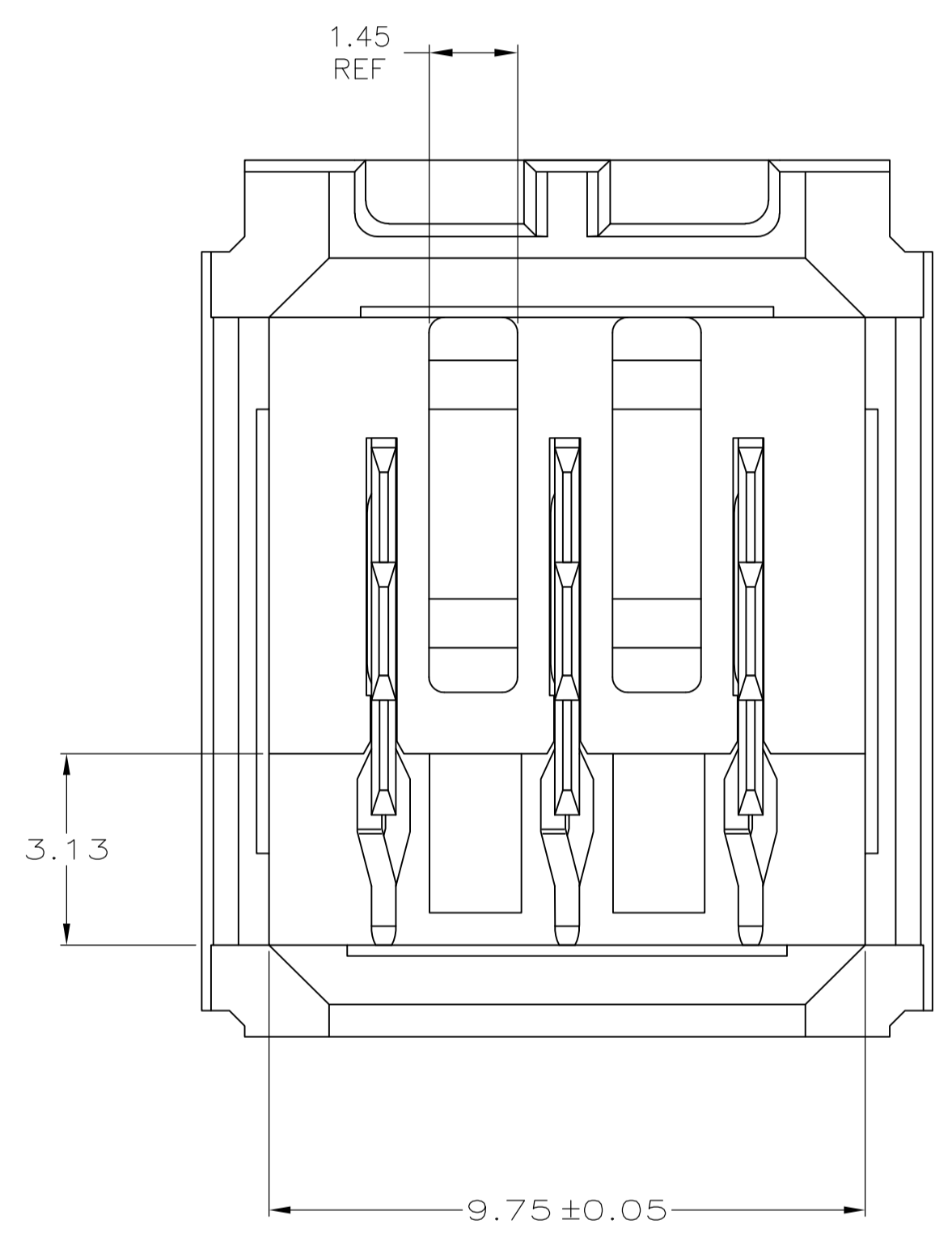
Email & Skype: info@chipsmall.com Web: www.chipsmall.com

Address: A1208, Overseas Decoration Building, #122 Zhenhua RD., Futian, Shenzhen, China





- 1 MATERIAL: HOUSING: POLYESTER. COLOR: GRAY. UL 94V-O. CONTACT: PHOSPHOR BRONZE.
- 2 FINISH: CONTACT MATING AREA: 1.27µm MIN GOLD OR 0.08µm MIN GOLD OVER 0.76µm MIN PALLADIUM-NICKEL. ACTION PIN AREA: 0.5µm MIN TIN LEAD PLATE, ALL OVER 1.27µm MIN NICKEL UNDERPLATE.
- 3 FINISH: CONTACT LUBRICATION WITH BELLCORE APPROVED LUBRICANT. TECHNICAL REFERENCE: TR-NWT-001217 ISSUE 1, SEPT 1992.
- 4 MATERIAL: HOUSING: LCP; COLOR, BLACK. UL 94V-O. CONTACT: PHOSPHOR BRONZE.
- 5 NUMBER "4" MARKED IN THIS AREA.
- 6 RESTRICTED PART NUMBER, CONTACT ENGINEERING.
- 7 MATERIAL: HOUSING: POLYESTER. COLOR: GRAY. UL 94V-O. CONTACT: HIGH-CURRENT COPPER ALLOY.
- 8 REFERENCE APPLICATION SPEC 114-1103 FOR RECOMMENDED PLATED THRU HOLE DIAMETER AND PLATING THICKNESSES.
- 9. CURRENT RATING 10A/CONTACT FOR PHOS BRONZE CONTACTS AND 16A/CONTACT FOR HIGH CURRENT COPPER ALLOY CONTACTS PER PRODUCT SPEC 108-1651.
- 10 OBSOLETE PARTS: OBSOLETE CIS STREAMLINING PER D.RENAUD/D.SINIS



SECTION W-W
SCALE 40:1

	2	3	7	5-223967-1	
OBSOLETE	1	2	3	5	223967-9
OBSOLETE	6				223967-8
OBSOLETE	2	3	4		223967-4
	1	2	3		223967-1
	FINISH			PART NUMBER	

THIS DRAWING IS A CONTROLLED DOCUMENT.

DIMENSIONS:	TOLERANCES UNLESS OTHERWISE SPECIFIED:	APPROVED	DATE	NAME
mm	0 PLC ± -	R. BUCHHEISTER	31/JAN/97	R. RELICKER
	1 PLC ± -	R. RELICKER	31/JAN/97	R. RELICKER
	2 PLC ± 0.13			
	3 PLC ± -			
	4 PLC ± -			
	ANGLES ± -			

THIS DRAWING IS A CONTROLLED DOCUMENT. Tyco Electronics Corporation Harrisburg, PA 17105-3608

ASSEMBLY, RIGHT ANGLE HEADER, W/ RETENTION PEGS, UNIVERSAL POWER MODULE

SIZE: A1 CAGE CODE: 00779 DRAWING NO: 223967

WEIGHT: -

CUSTOMER DRAWING SCALE: 10:1 SHEET: 1 OF 1 REV: M

RECOMMENDED PCB HOLE LAYOUT