



Chipsmall Limited consists of a professional team with an average of over 10 year of expertise in the distribution of electronic components. Based in Hongkong, we have already established firm and mutual-benefit business relationships with customers from,Europe,America and south Asia,supplying obsolete and hard-to-find components to meet their specific needs.

With the principle of “Quality Parts,Customers Priority,Honest Operation,and Considerate Service”,our business mainly focus on the distribution of electronic components. Line cards we deal with include Microchip,ALPS,ROHM,Xilinx,Pulse,ON,Everlight and Freescale. Main products comprise IC,Modules,Potentiometer,IC Socket,Relay,Connector.Our parts cover such applications as commercial,industrial, and automotives areas.

We are looking forward to setting up business relationship with you and hope to provide you with the best service and solution. Let us make a better world for our industry!



Contact us

Tel: +86-755-8981 8866 Fax: +86-755-8427 6832

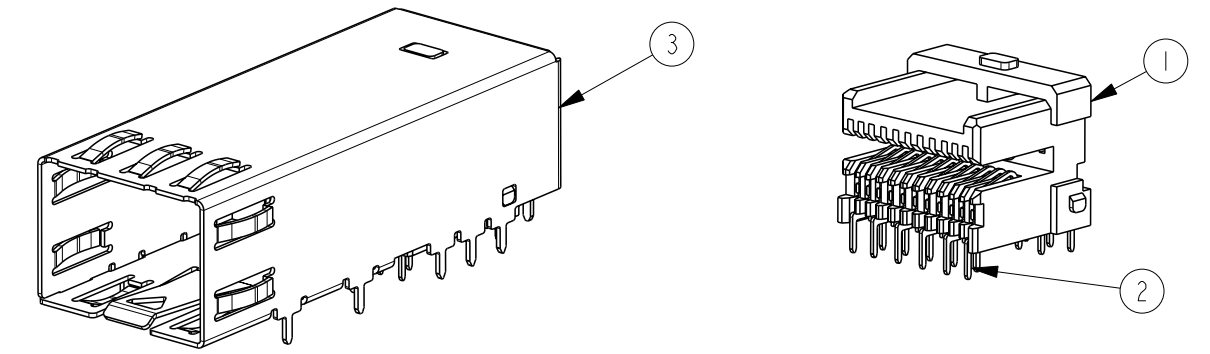
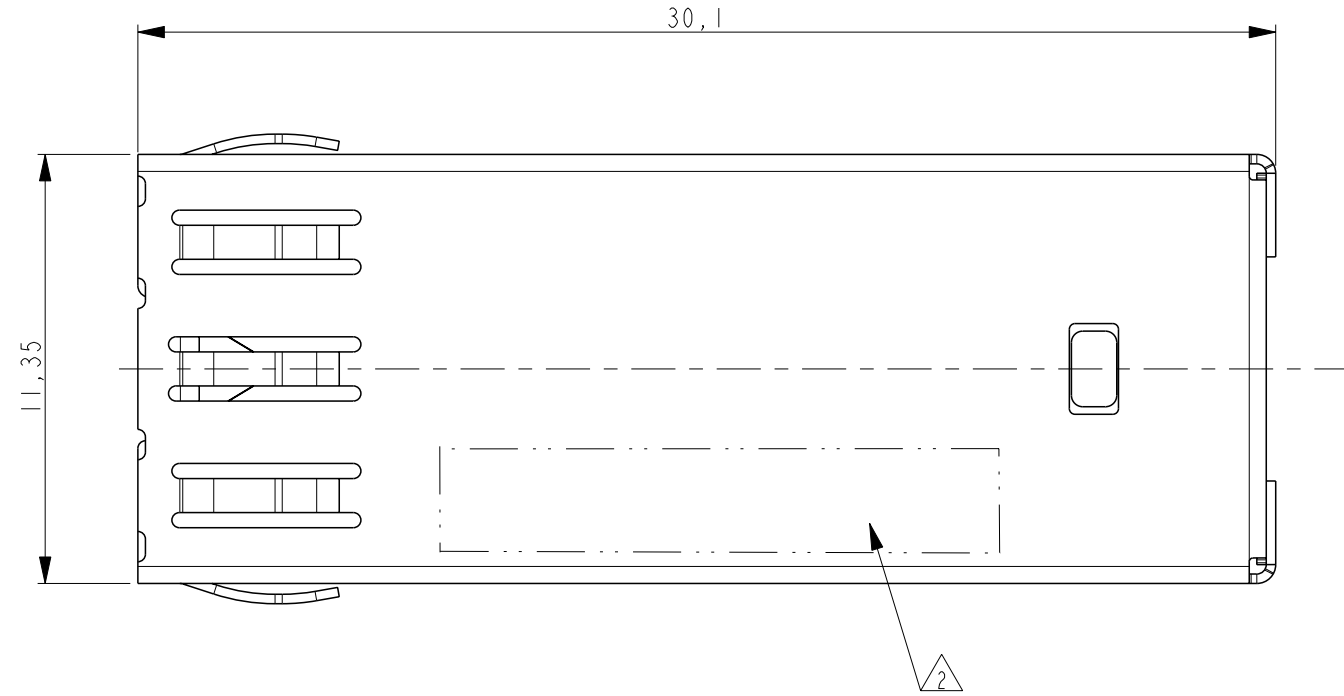
Email & Skype: info@chipsmall.com Web: www.chipsmall.com

Address: A1208, Overseas Decoration Building, #122 Zhenhua RD., Futian, Shenzhen, China

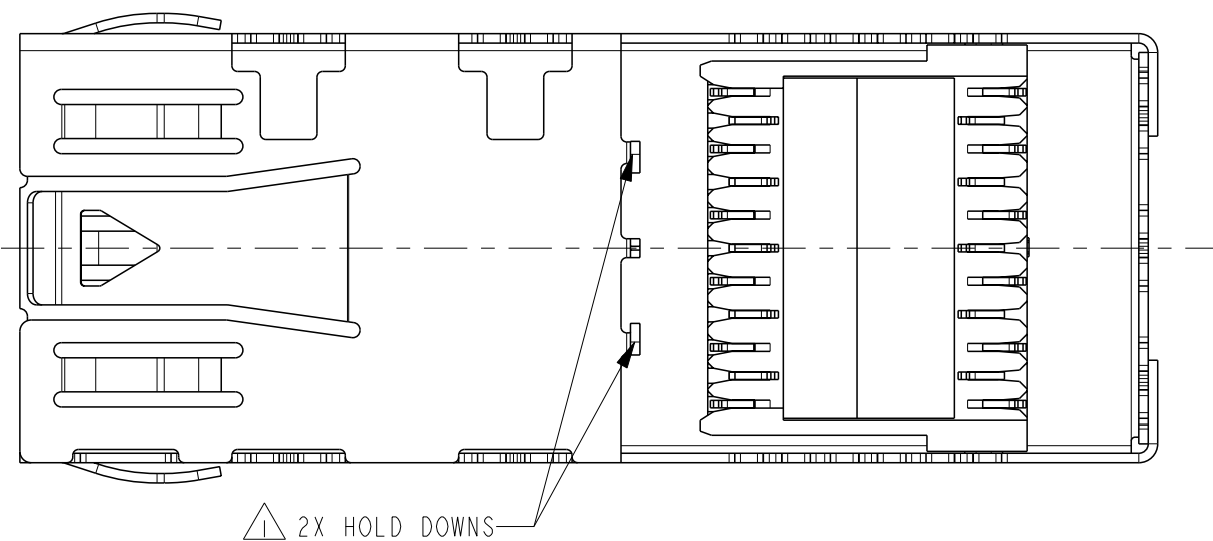
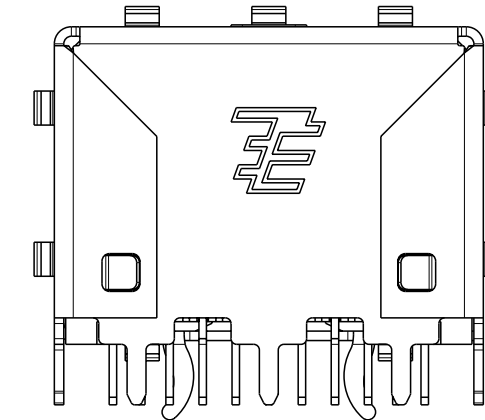
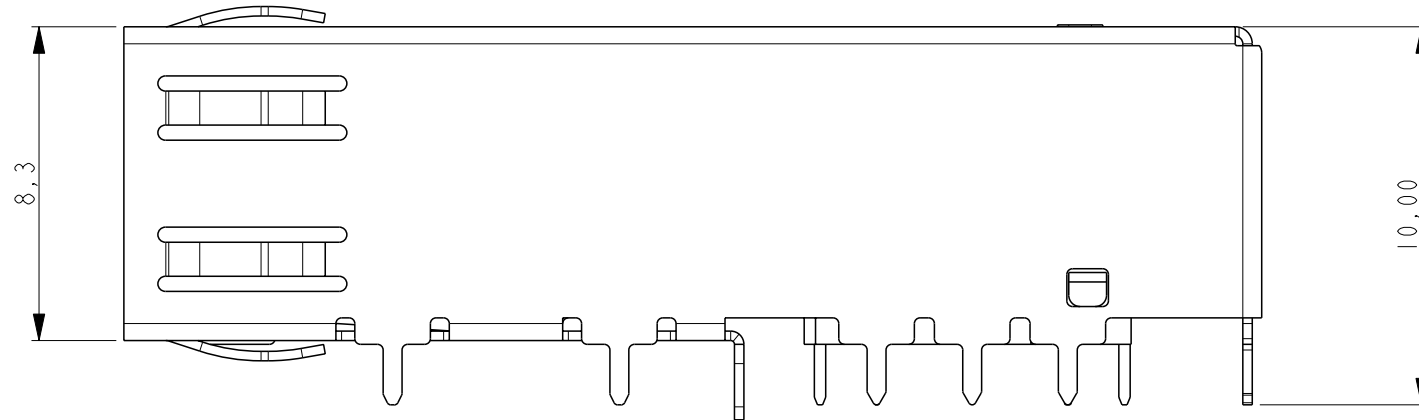
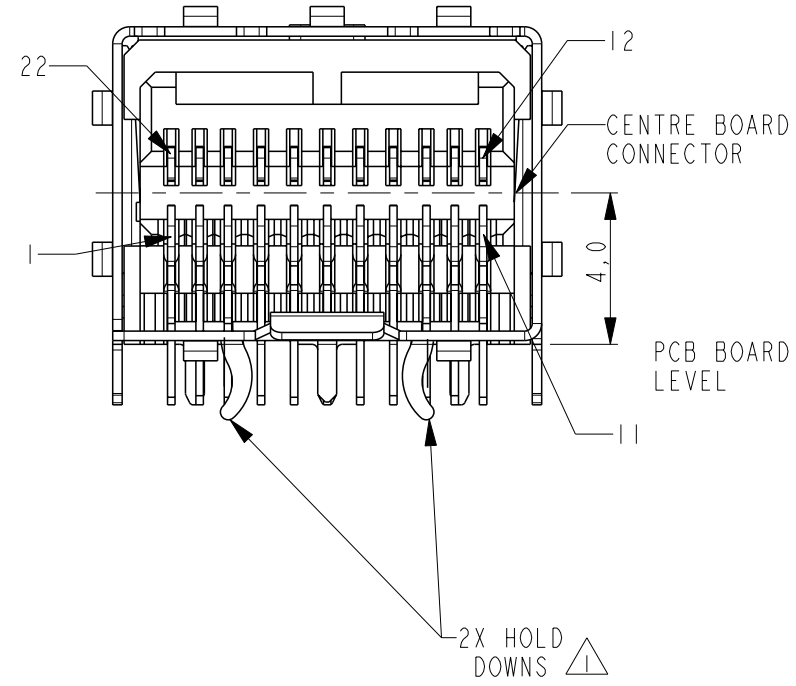


THIS DRAWING IS UNPUBLISHED. RELEASED FOR PUBLICATION
 © COPYRIGHT - Tyco Electronics AMP GmbH ALL RIGHTS RESERVED.

LOC	DIST	REVISIONS			
P	LTR	DESCRIPTION	DATE	DWN	APVD
A		RELEASED	11 FEB 2013	JS	GV
AI		ECR-13-005995	9 APR 2013	JS	GV



SCALE 5:2



NOTES:

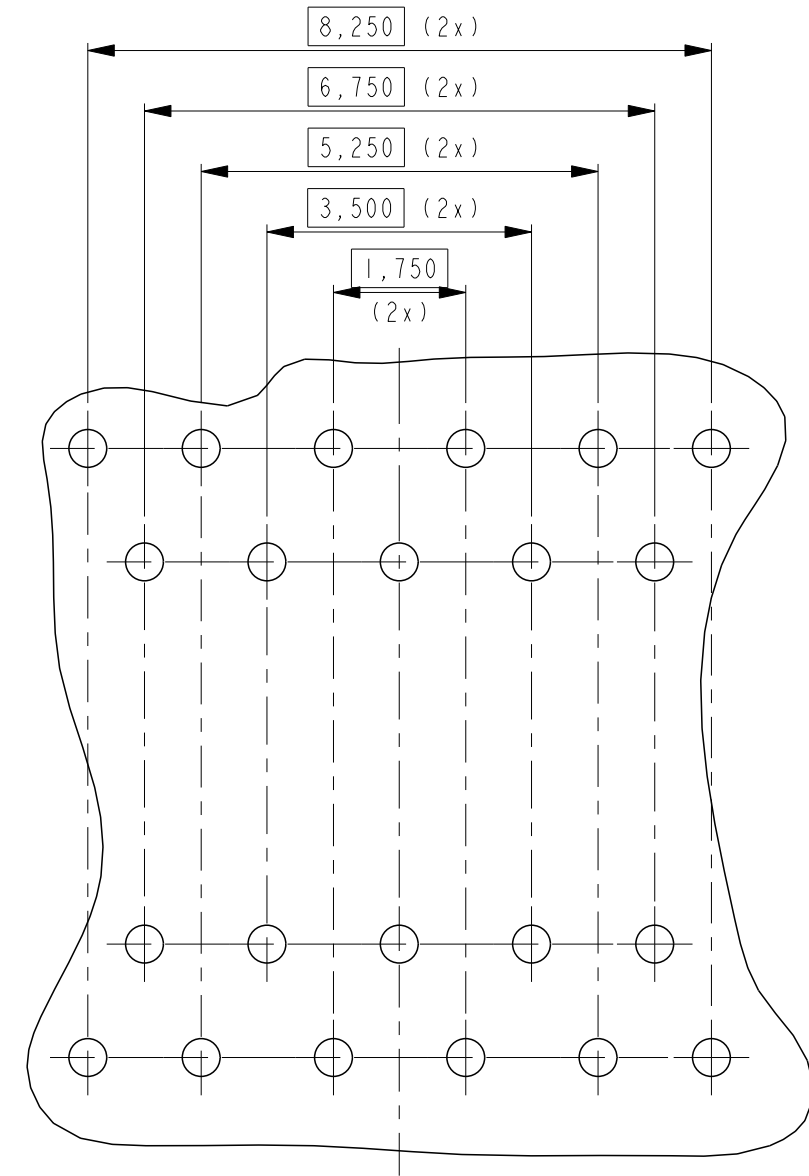
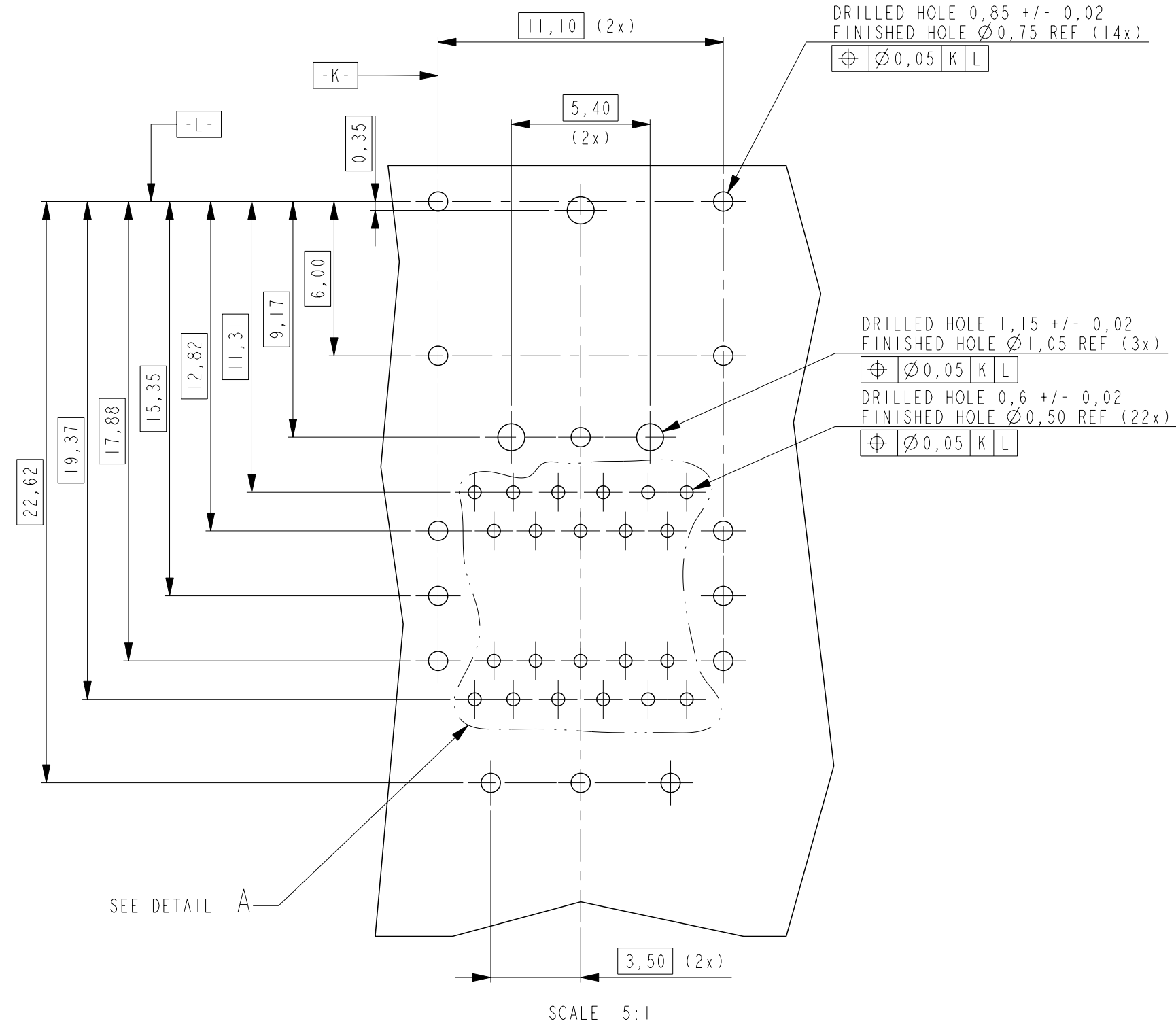
- △ HOLD DOWNS SUITABLE FOR A PCB THICKNESS RANGE OF 1,6 THRU 3,0 MM
- △ PRINTING PART NUMBER AND DATE CODE:
2246040-x
YYWW

ITEM	QUANT	DESCRIPTION	MATERIAL	FINISHING
3	1	SHIELD	COPPER ALLOY	PRE-PLATED: 3,0-6,0 µm BRIGHT Sn (REFLOWED)
2	22	CONTACTS FEMALE CONNECTOR	COPPER ALLOY	SELECTIVE 0,8-1,2 µm Au IN CONTACT AREA 3,0-5,0 µm DULL Sn IN SOLDER AREA OVER 1,25-2,5 µm Ni UNDERLAYER
1	1	HOUSING REC CONNECTOR	LCP GF UL94V-0	NA

THIS DRAWING IS A CONTROLLED DOCUMENT.		DWN	11 FEB 2013	STE TE Connectivity
DIMENSIONS: mm		CHK	J. vd Heijden	
TOLERANCES UNLESS OTHERWISE SPECIFIED:		CHK	J. Smits	
0 PLC ±0,2 1 PLC ±0,1 2 PLC ±0,1 3 PLC ±0,1 4 PLC ±0,1 ANGLES ±2 FINISH		APVD	G. Verduijn	
MATERIAL		PRODUCT SPEC		NAME
		108-19467		mini SFP Board Connector
		APPLICATION SPEC		SIZE
		114-19151		A2
		WEIGHT		CAGE CODE
		-		00779
		Customer Drawing		DRAWING NO
				C-2246040
		SCALE 2:1		RESTRICTED TO
		SHEET 1 OF 2		-
		REV AI		

THIS DRAWING IS UNPUBLISHED. RELEASED FOR PUBLICATION
 © COPYRIGHT - Tyco Electronics AMP GmbH ALL RIGHTS RESERVED.

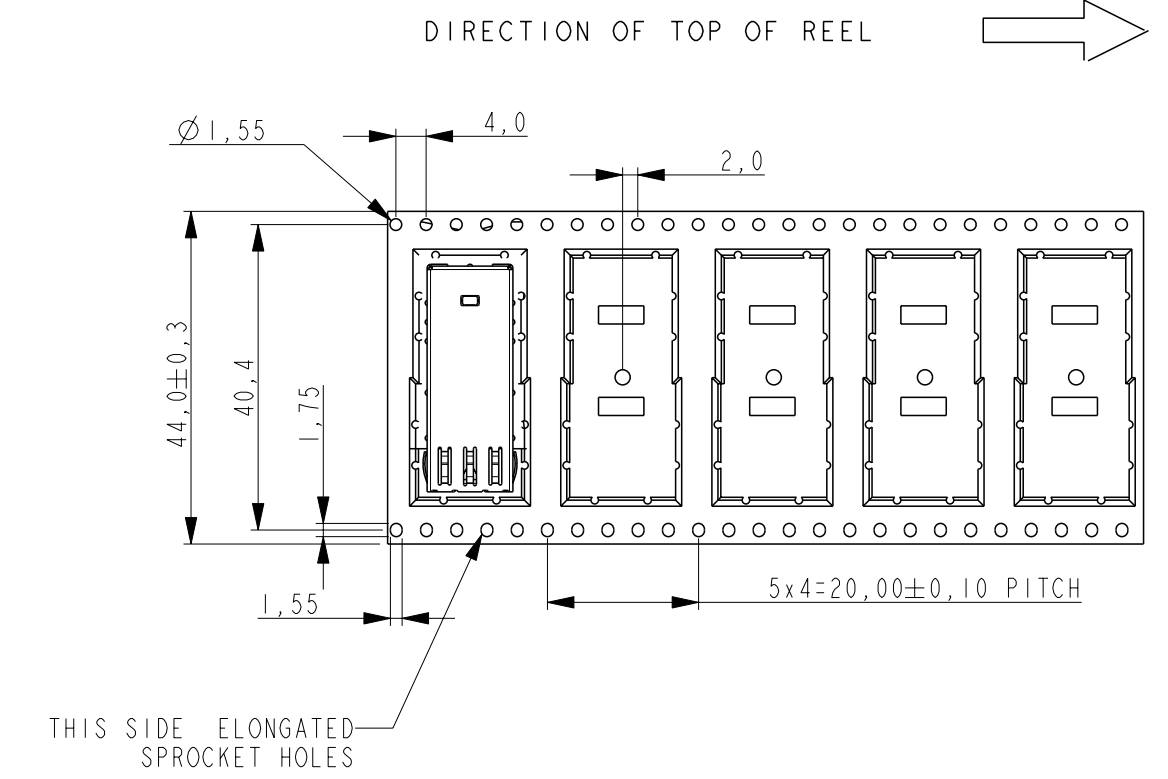
LOC		DIST		REVISIONS			
P	LTR	DESCRIPTION	DATE	DWN	APVD		
-	-	SEE SHEET 1	-	-	-		



DETAIL A
SCALE 10:1

RECOMMENDED BOARD-LAYOUT

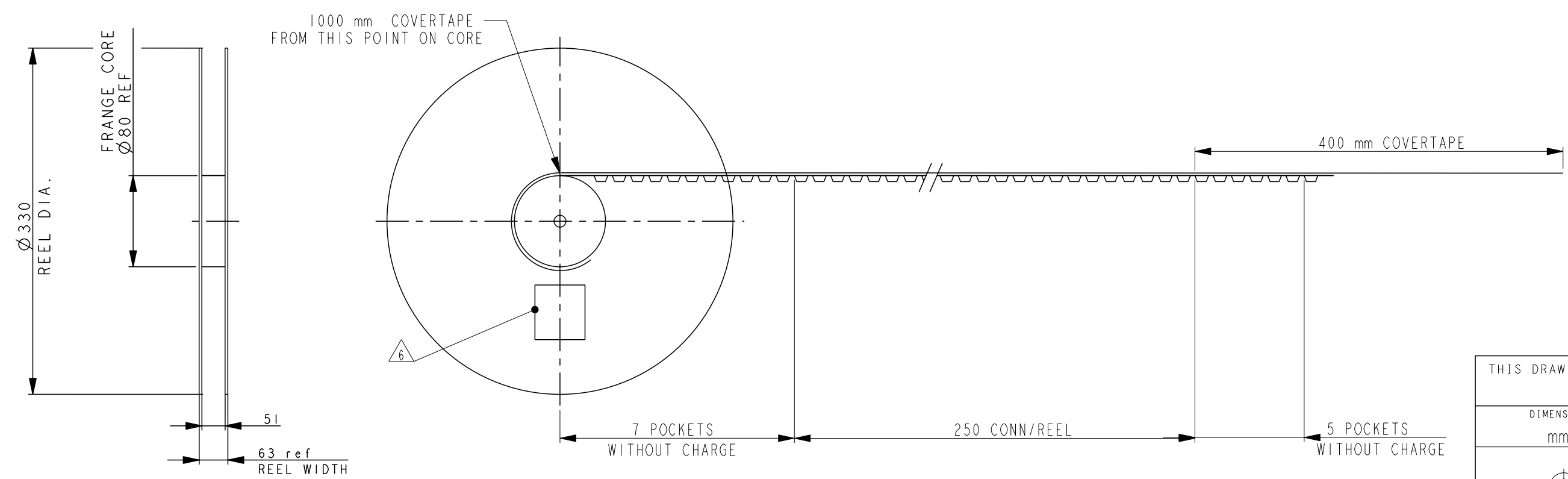
SCALE 5:1



NOTES:

- MATERIAL: BLACK POLYSTYRENE ALLOY.
- 10 SPROCKET HOLES PITCH CUMULATIVE TOLERANCE +/-0,20.
- CARRIER CAMBER IS WITHIN 1 mm IN 250 mm.
- ALL DIMENSIONS MEET EIA-481-C REQUIREMENTS.
- THICKNESS: 0,50±0,05mm.

Product No TE P/N 2246040-1 (Bar Code)	(21P) R-state R-7 (Bar Code)
Product Description: HSIO Board Connector	(4L) Made in India (Bar Code)
Manufacturing week YYWW	(Q)Quantity XXX (Bar Code)



THIS DRAWING IS A CONTROLLED DOCUMENT.		DWN J. vd Heijden 11 FEB 2013	TE Connectivity	
DIMENSIONS: mm		CHK J. Smits 11 FEB 2013		
TOLERANCES UNLESS OTHERWISE SPECIFIED:		APVD G. Verduijn 11 FEB 2013	PRODUCT SPEC 108-19467	RESTRICTED TO
0 PLC ±0,2 1 PLC ±0,1 2 PLC ±0,1 3 PLC ±0,1 4 PLC ±0,1		APPLICATION SPEC 114-19151	SIZE A2	CAGE CODE 00779
MATERIAL -		WEIGHT -	DRAWING NO C-2246040	SCALE 2:1
FINISH -		Customer Drawing	SHEET 2 OF 2	REV A1