



Chipsmall Limited consists of a professional team with an average of over 10 year of expertise in the distribution of electronic components. Based in Hongkong, we have already established firm and mutual-benefit business relationships with customers from,Europe,America and south Asia,supplying obsolete and hard-to-find components to meet their specific needs.

With the principle of "Quality Parts,Customers Priority,Honest Operation,and Considerate Service",our business mainly focus on the distribution of electronic components. Line cards we deal with include Microchip,ALPS,ROHM,Xilinx,Pulse,ON,Everlight and Freescale. Main products comprise IC,Modules,Potentiometer,IC Socket,Relay,Connector.Our parts cover such applications as commercial,industrial, and automotives areas.

We are looking forward to setting up business relationship with you and hope to provide you with the best service and solution. Let us make a better world for our industry!



## Contact us

Tel: +86-755-8981 8866 Fax: +86-755-8427 6832

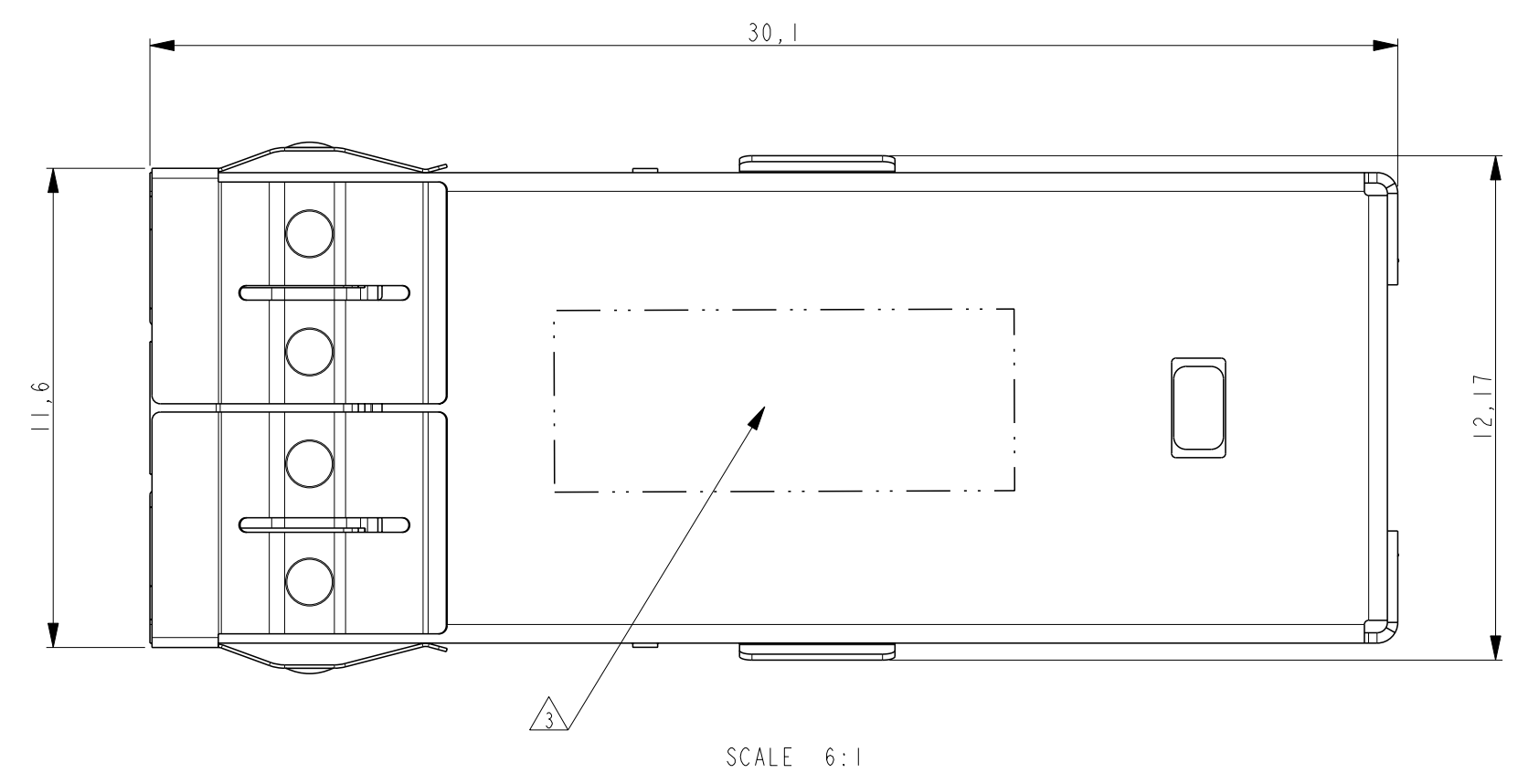
Email & Skype: info@chipsmall.com Web: www.chipsmall.com

Address: A1208, Overseas Decoration Building, #122 Zhenhua RD., Futian, Shenzhen, China

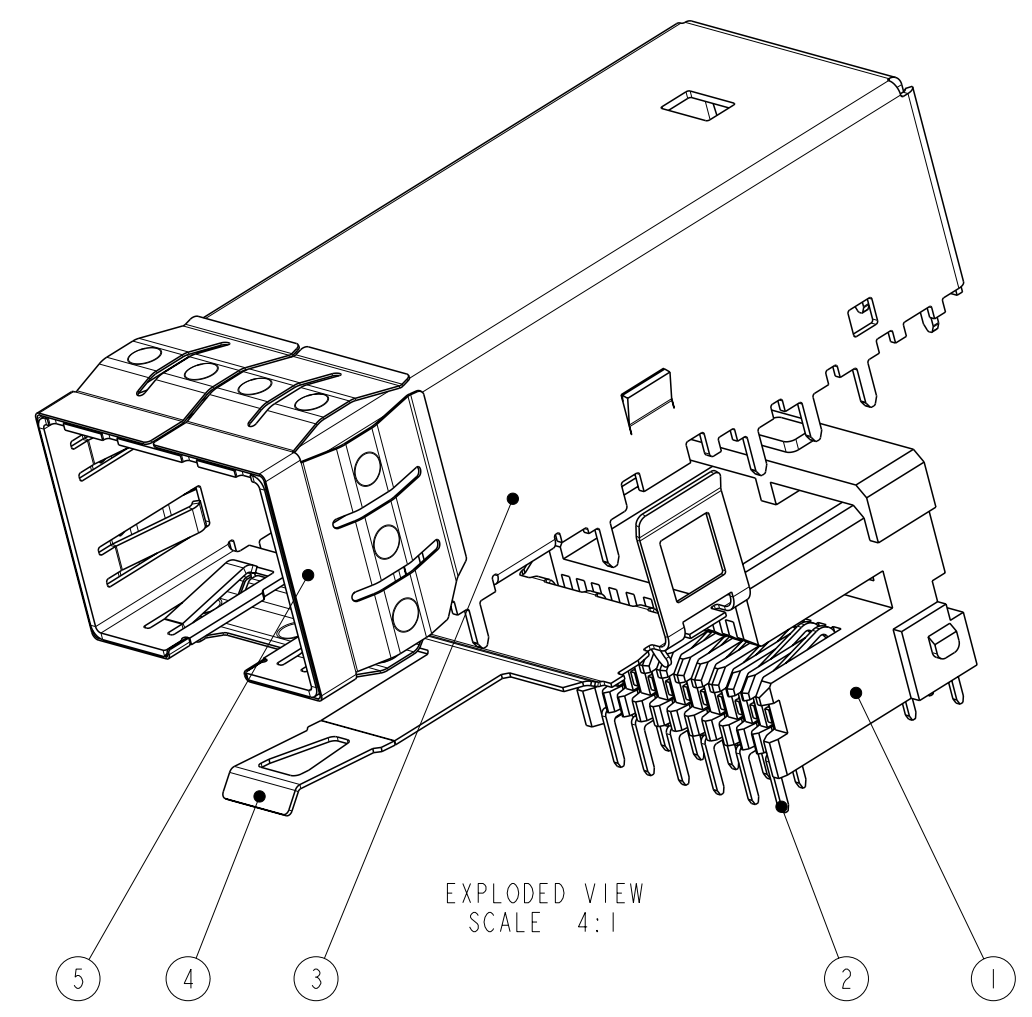


THIS DRAWING IS UNPUBLISHED. RELEASED FOR PUBLICATION  
 © COPYRIGHT - Tyco Electronics AMP GmbH ALL RIGHTS RESERVED.

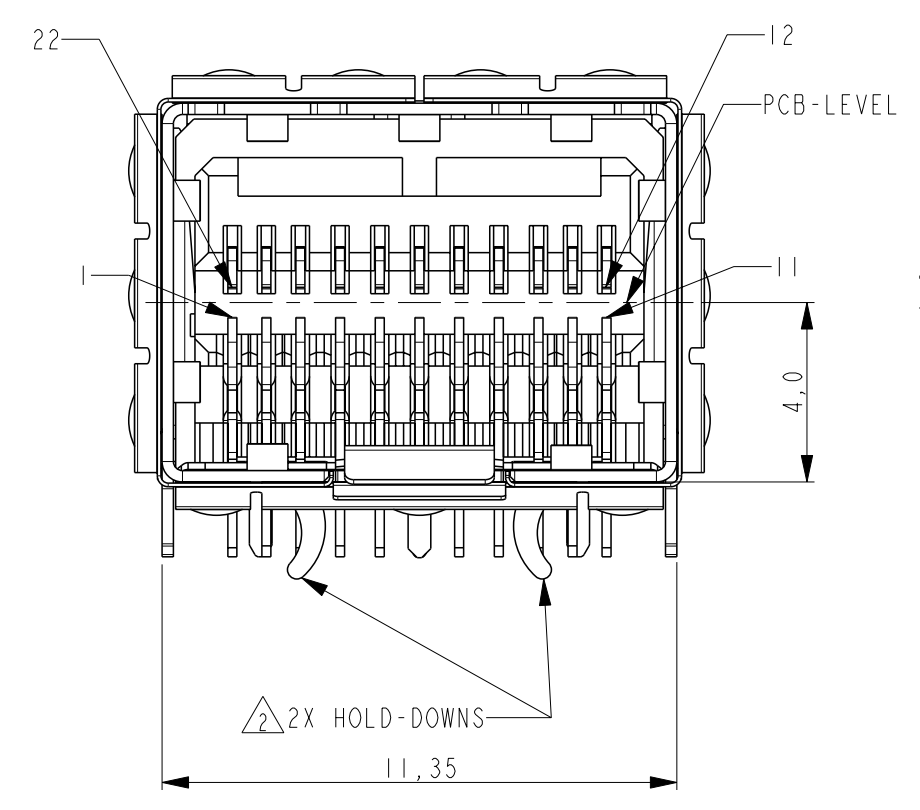
LOC	DIST	REVISIONS					
H	-	P	LTR	DESCRIPTION	DATE	DWN	APVD
		A		RELEASED	11 FEB 2013	JS	GV
		AI		ECR-13-005995	30 APR 2013	JS	GV



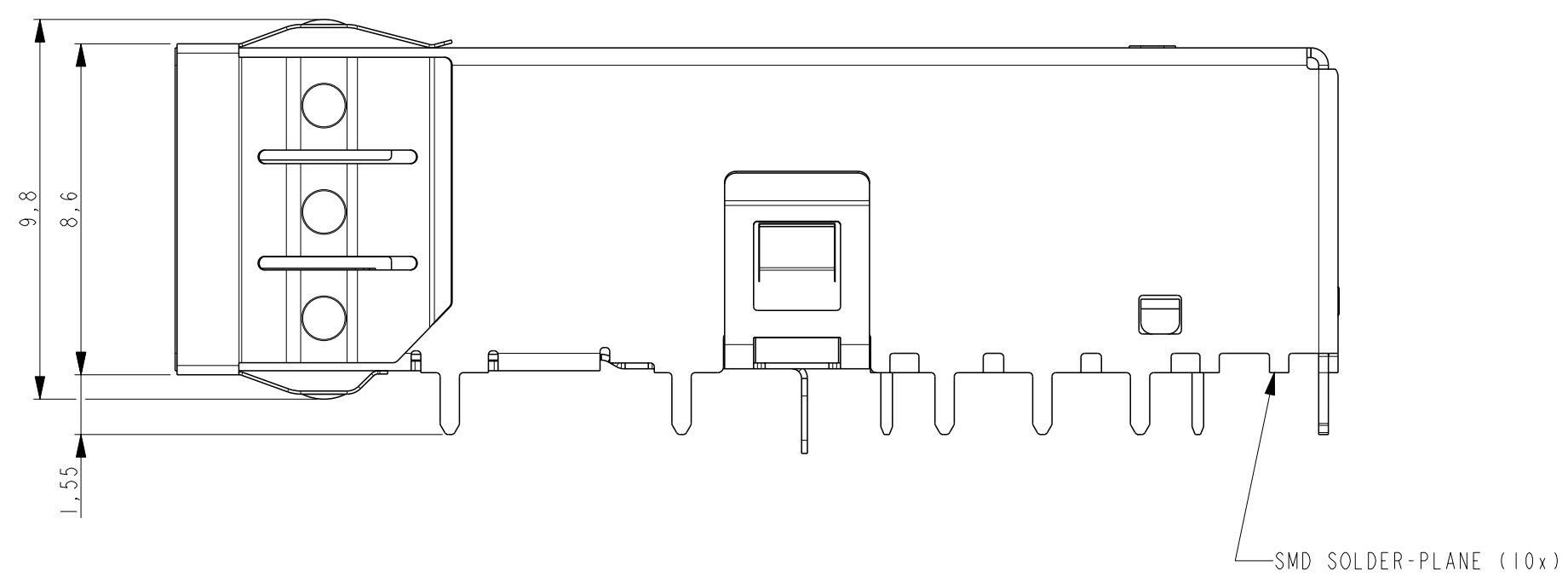
SCALE 6:1



EXPLODED VIEW  
SCALE 4:1



2X HOLD-DOWNS



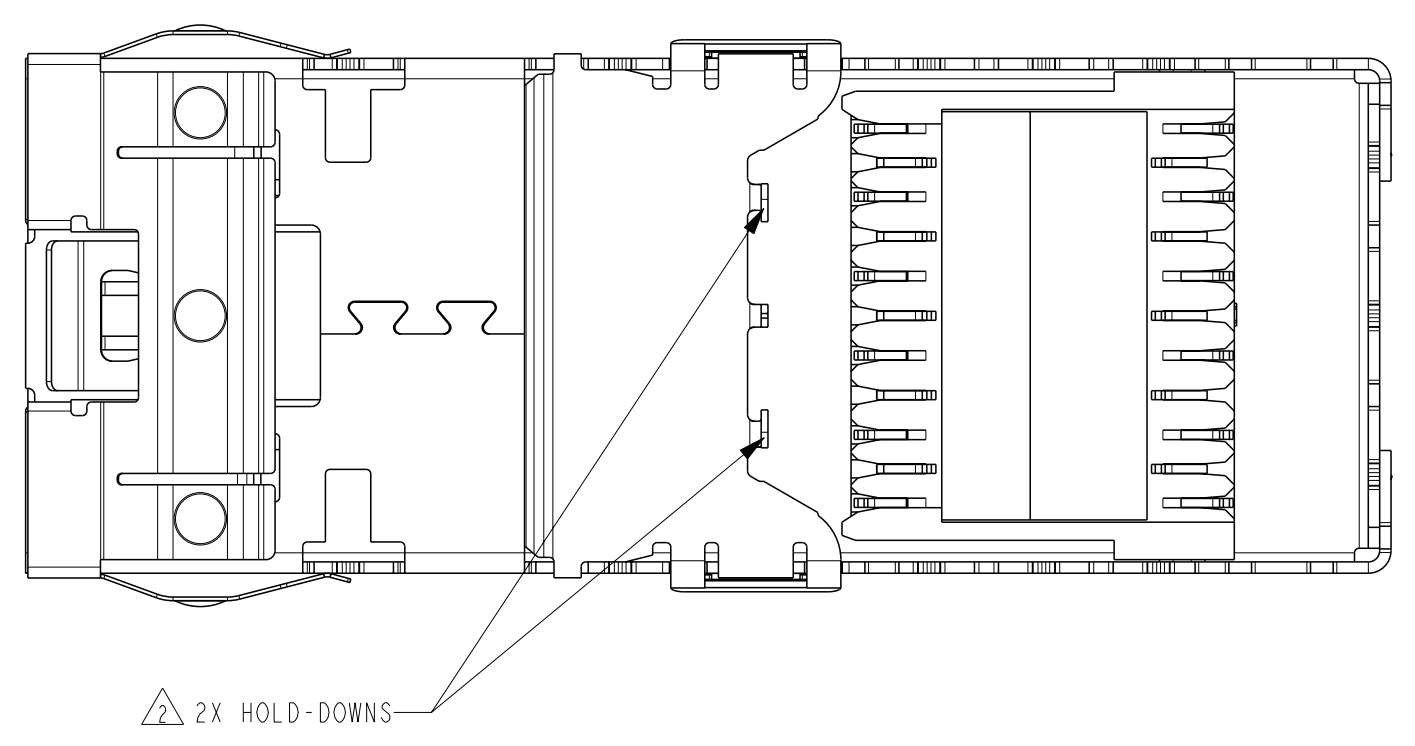
SMD SOLDER-PLANE (10x)

NOTES:

- △ CARRIER TAPE  
MATERIAL: BLACK POLYSTYRENE ALLOY  
10 SPROCKET HOLES PITCH CUMULATIVE TOLERANCE +/-0,20  
CARRIER CAMBER IS WITHIN 1 mm IN 250 mm  
ALL DIMENSIONS MEET EIA-481-C REQUIREMENTS  
THICKNESS: 0,50±0,05mm
- △ HOLD DOWNS SUITABLE FOR A PCB THICKNESS RANGE OF 1,6 THRU 3,0 MM
- △ PRINTING PART NUMBER AND DATE CODE:  
2246041-X  
YYWW

Product No	(21P) R-state
TE P/N 2246041-1	R-7
(Bar Code)	(Bar Code)
Product Description:	(4L) Made in India
HSIO Board Connector	(Bar Code)
Manufacturing week	(0)Quantity
YYWW	XXX
	(Bar Code)

ITEM	QUANT	DESCRIPTION	MATERIAL	FINISHING
5	1	EMI-SKIRT	COPPER ALLOY	SELECTIVE 3,0 µm min. Sn OVER 1,27 - 5,0 µm Ni UNDERLAYER
4	1	LATCHPLATE	STAINLESS STEEL	SELECTIVE 2,0 µm min. Sn IN SOLDER-AREA OVER 0,8 - 1,3 µm Ni UNDERLAYER
3	1	SHIELD SUB-ASSEMBLY	COPPER ALLOY	PRE-PLATED: 3,0-6,0 µm BRIGHT Sn (REFLOWED)
2	22	CONTACTS FEMALE CONNECTOR	COPPER ALLOY	SELECTIVE 0,8-1,2 µm Au IN CONTACT AREA 3,0-5,0 µm DULL Sn IN SOLDER AREA OVER 1,25-2,5 µm Ni UNDERLAYER
1	1	HOUSING REC CONNECTOR	LCP GF UL94V-0	NA



2X HOLD-DOWNS

THIS DRAWING IS A CONTROLLED DOCUMENT.

DWN: J. vd Heijden 11 FEB 2013  
 CHK: J. Smits 11 FEB 2013  
 APVD: G. Verduijn 11 FEB 2013

TE Connectivity

NAME: MINI SFP BOARDCONNECTOR 22 POS

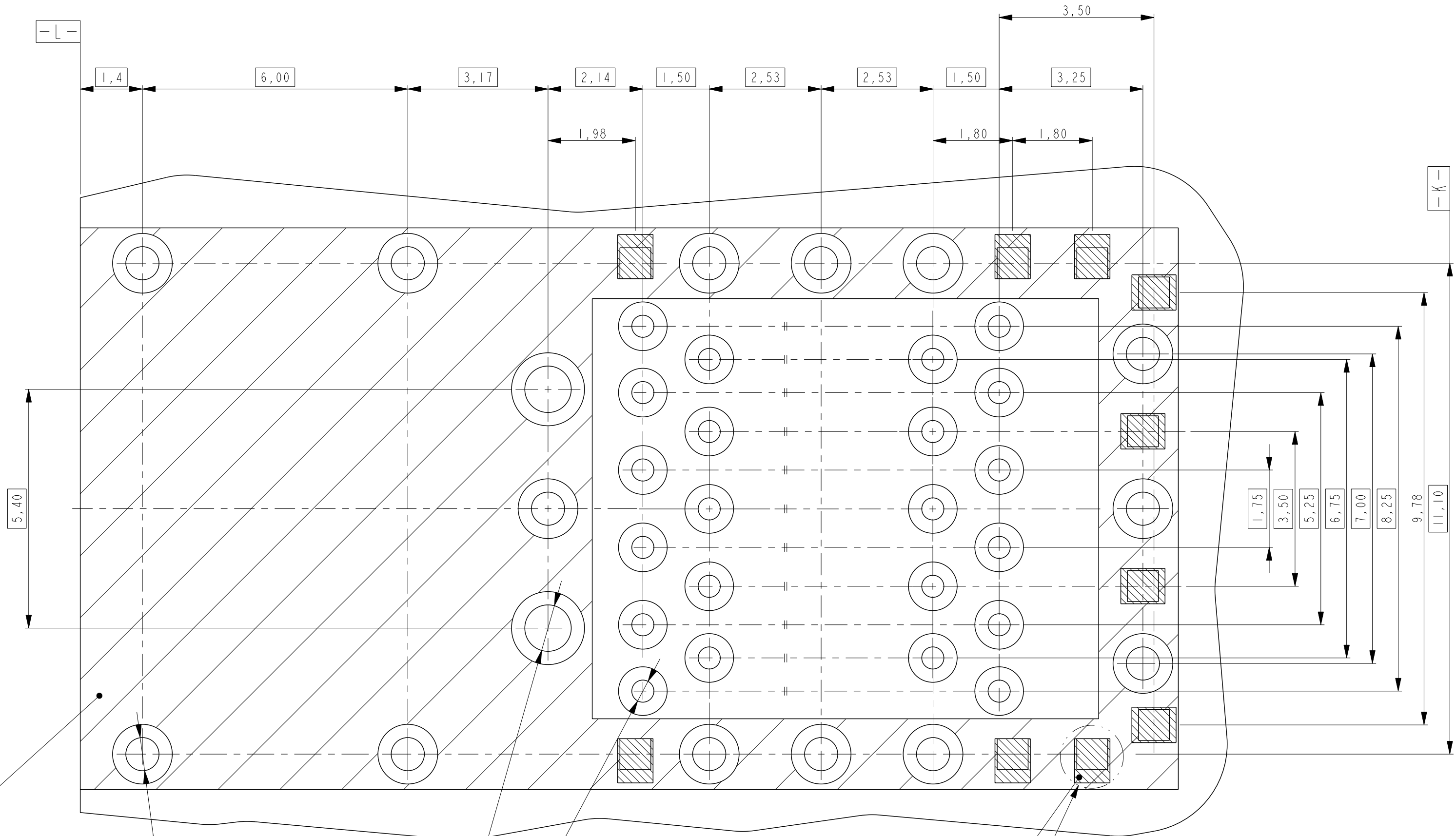
SIZE: A2 CAGE CODE: 00779 DRAWING NO: C-2246041 RESTRICTED TO: -

SCALE: 1:1 SHEET: 1 OF 3 REV: AI

Customer Drawing

THIS DRAWING IS UNPUBLISHED. RELEASED FOR PUBLICATION  
 © COPYRIGHT - Tyco Electronics AMP GmbH ALL RIGHTS RESERVED.

LOC	DIST	REVISIONS					
H	-	P	LTR	DESCRIPTION	DATE	DWN	APVD
		-		SEE SHEET 1	-	-	-



CROSS-HATCHED AREA  
 (COURSE CROSS-HATCHING)  
 DENOTES COMPONENT AND  
 TRACE KEEP-OUT  
 (EXCEPT CHASSIS GROUND)

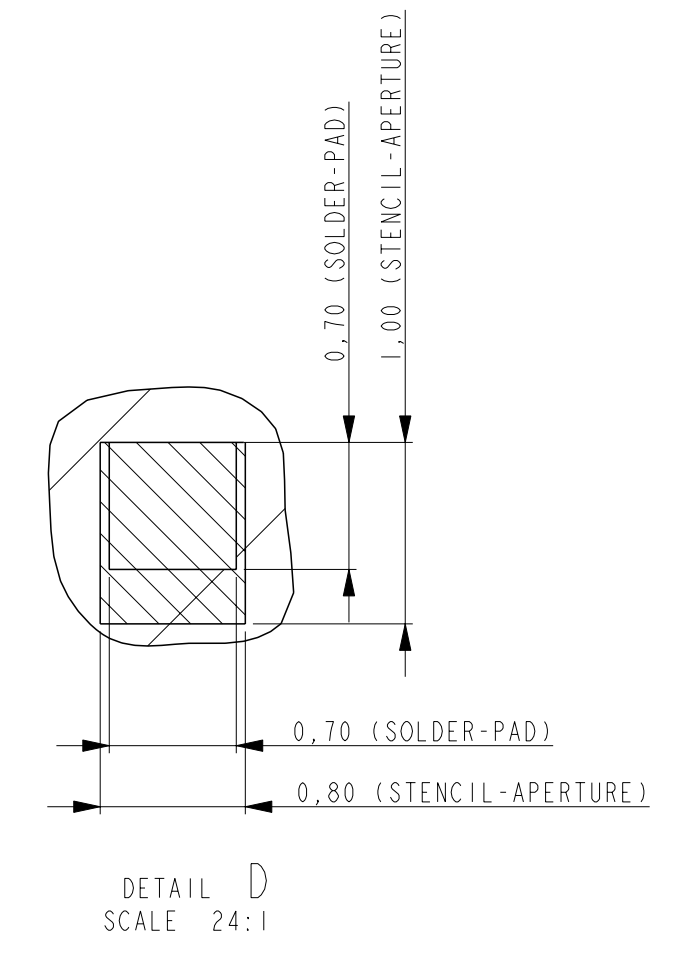
DRILLED HOLE 0,85 +/- 0,02  
 FINISHED HOLE Ø0,75 REF (14x)  
 ⊕ Ø0,05 K L

DRILLED HOLE 1,15 +/- 0,02  
 FINISHED HOLE Ø1,05 REF (2x)  
 ⊕ Ø0,05 K L

DRILLED HOLE 0,6 +/- 0,02  
 FINISHED HOLE Ø0,50 REF (22x)  
 ⊕ Ø0,05 K L

RECOMMENDED BOARD-LAYOUT  
 (COMPONENT SIDE)  
 SCALE 12:1

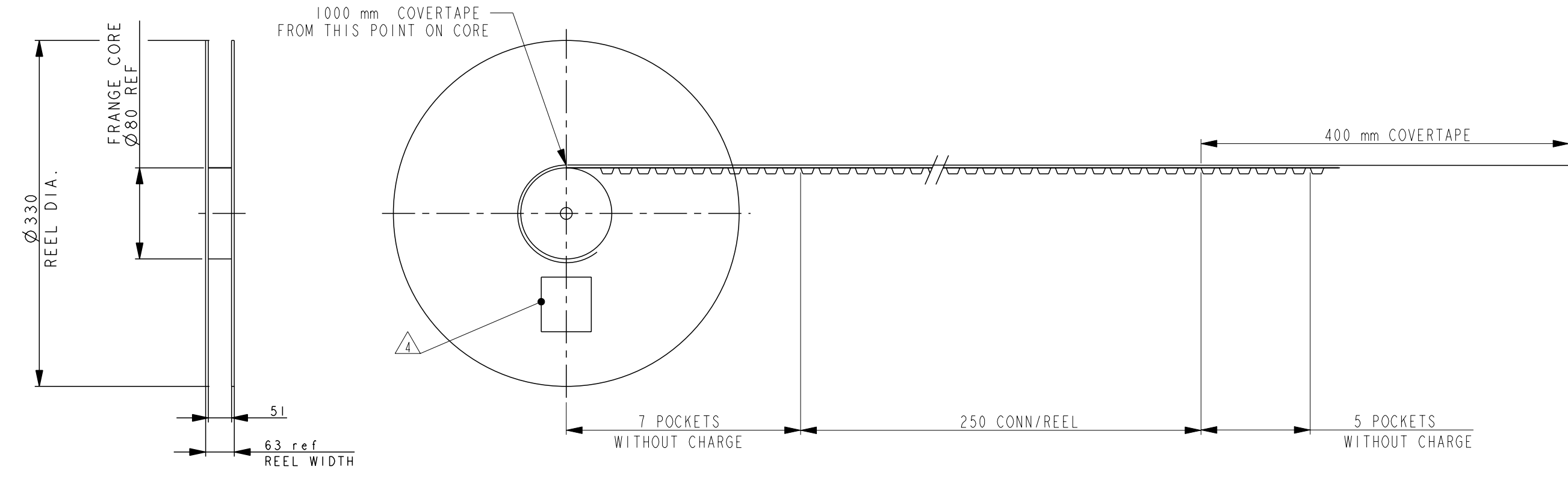
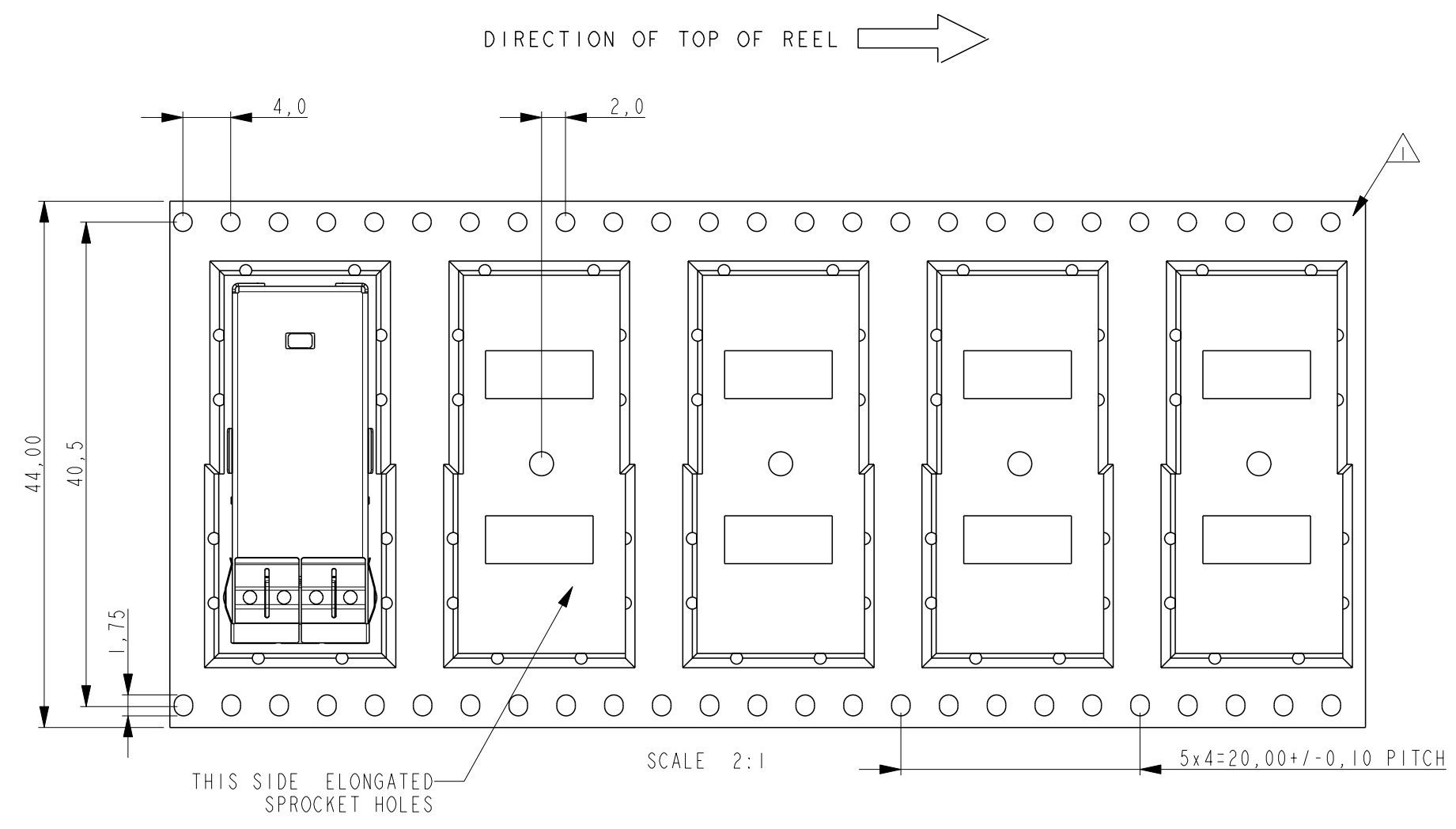
STENCIL (10x)  
 SEE DETAIL D



THIS DRAWING IS A CONTROLLED DOCUMENT.		DWN J. vd Heijden 11 FEB 2013	TE Connectivity	
DIMENSIONS: mm		CHK J. Smits 11 FEB 2013		
TOLERANCES UNLESS OTHERWISE SPECIFIED:		APVD G. Verduijn 11 FEB 2013	NAME MINI SFP BOARDCONNECTOR 22 POS	
0 PLC ±0,1 1 PLC ±0,1 2 PLC ±0,1 3 PLC ±0,1 4 PLC ± ANGLES ± FINISH ±		PRODUCT SPEC 108-19467	SIZE A2	CAGE CODE 00779
MATERIAL SEE TABLE		APPLICATION SPEC 114-19151	DRAWING NO C-2246041	RESTRICTED TO -
		WEIGHT -	SCALE 3:1 SHEET 2 OF 3 REV A1	
		Customer Drawing		

THIS DRAWING IS UNPUBLISHED. RELEASED FOR PUBLICATION  
 © COPYRIGHT - Tyco Electronics AMP GmbH ALL RIGHTS RESERVED.

LOC	DIST	REVISIONS					
H	-	P	LTR	DESCRIPTION	DATE	DWN	APVD
		-		SEE SHEET 1	-	-	-



THIS DRAWING IS A CONTROLLED DOCUMENT.		DWN J. vd Heijden 11 FEB 2013	TE Connectivity	
DIMENSIONS: mm		CHK J. Smits 11 FEB 2013		
TOLERANCES UNLESS OTHERWISE SPECIFIED:		APVD G. Verduijn 11 FEB 2013	NAME MINI SFP BOARDCONNECTOR 22 POS	
		PRODUCT SPEC 108-19467	SIZE -	
MATERIAL SEE TABLE		APPLICATION SPEC 114-19151	CAGE CODE A200779	DRAWING NO C-2246041
FINISH SEE TABLE		WEIGHT -	RESTRICTED TO -	
		Customer Drawing		SCALE 1:1 SHEET 3 OF 3 REV A1