



Chipsmall Limited consists of a professional team with an average of over 10 year of expertise in the distribution of electronic components. Based in Hongkong, we have already established firm and mutual-benefit business relationships with customers from,Europe,America and south Asia,supplying obsolete and hard-to-find components to meet their specific needs.

With the principle of “Quality Parts,Customers Priority,Honest Operation,and Considerate Service”,our business mainly focus on the distribution of electronic components. Line cards we deal with include Microchip,ALPS,ROHM,Xilinx,Pulse,ON,Everlight and Freescale. Main products comprise IC,Modules,Potentiometer,IC Socket,Relay,Connector.Our parts cover such applications as commercial,industrial, and automotives areas.

We are looking forward to setting up business relationship with you and hope to provide you with the best service and solution. Let us make a better world for our industry!



Contact us

Tel: +86-755-8981 8866 Fax: +86-755-8427 6832

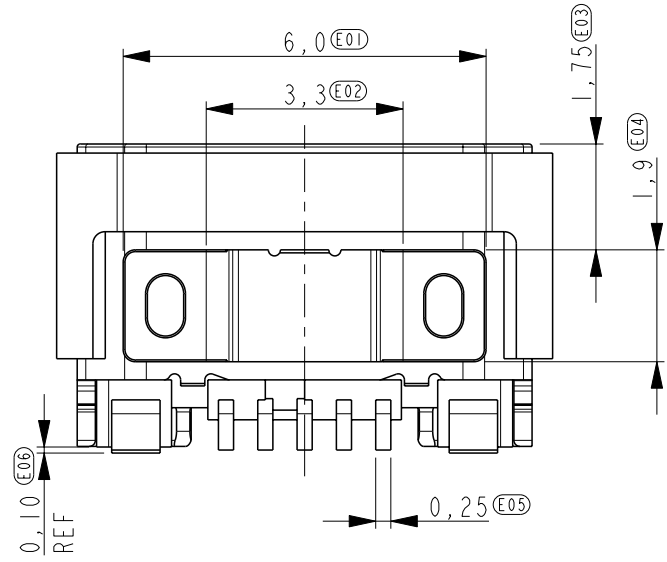
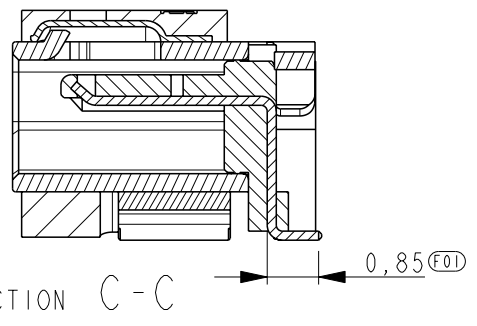
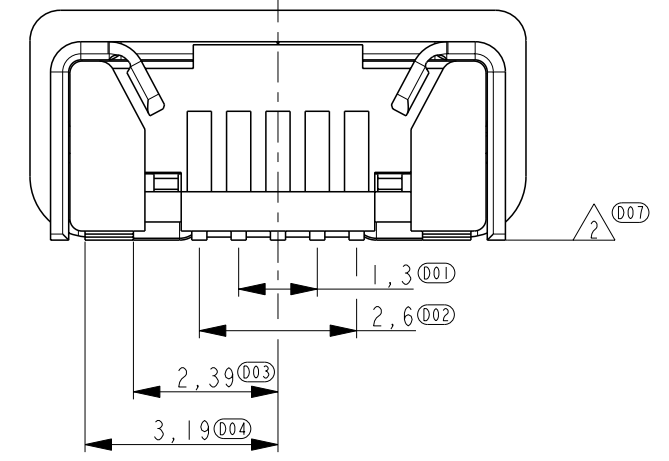
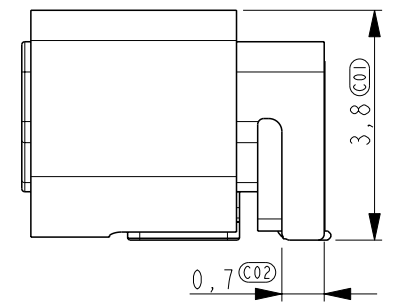
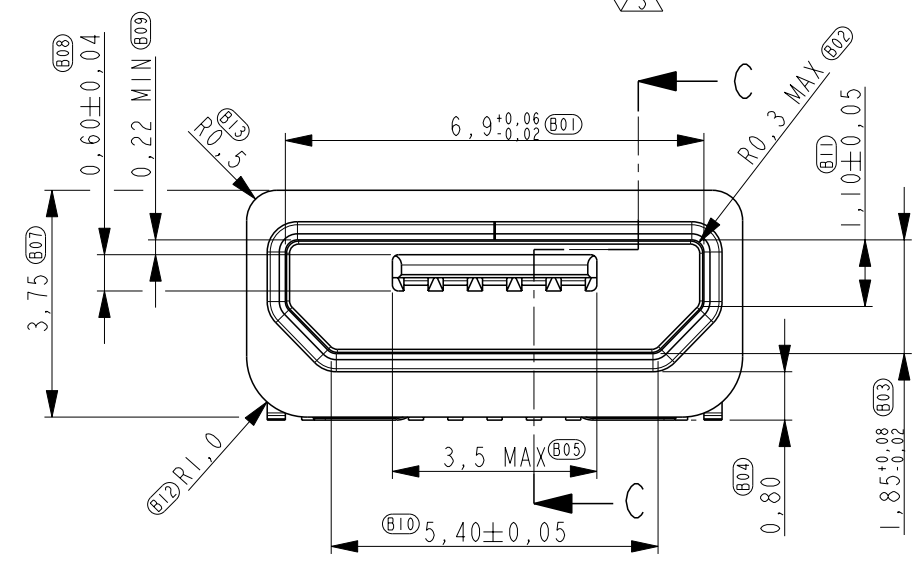
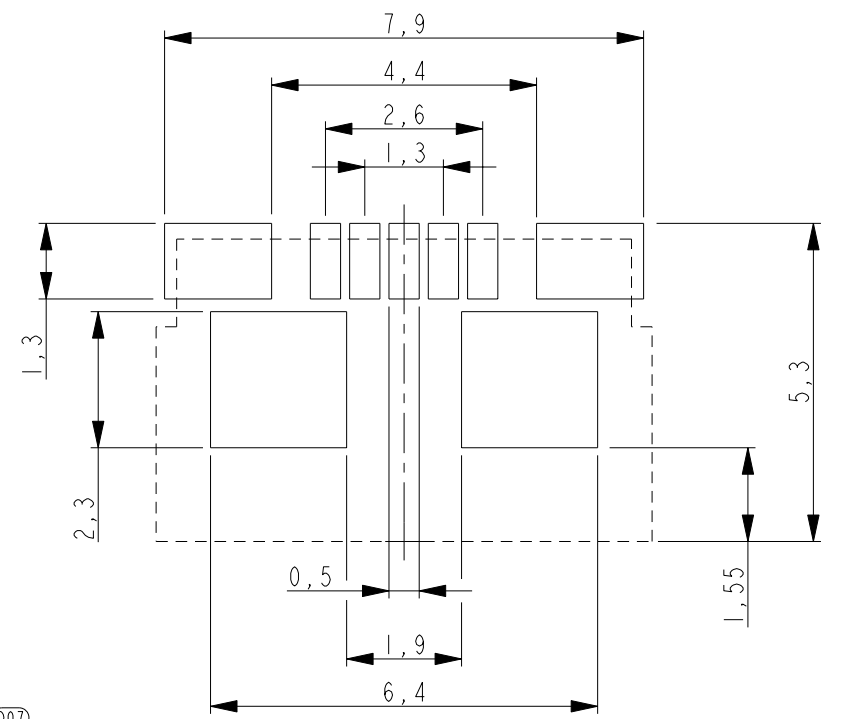
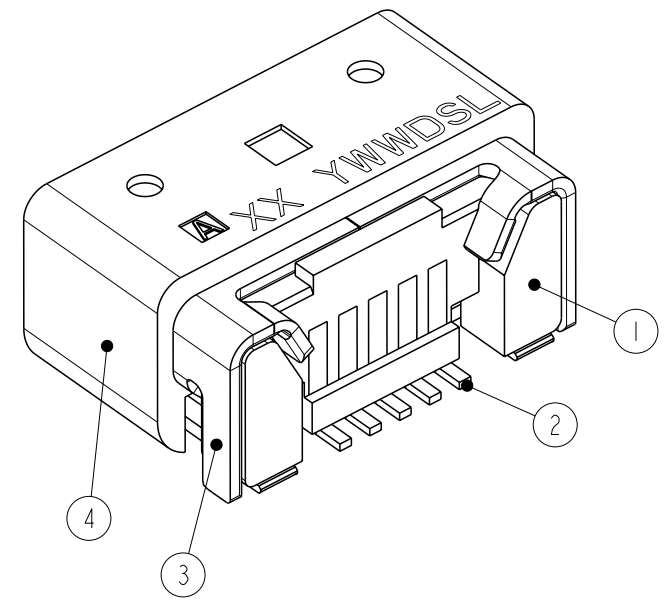
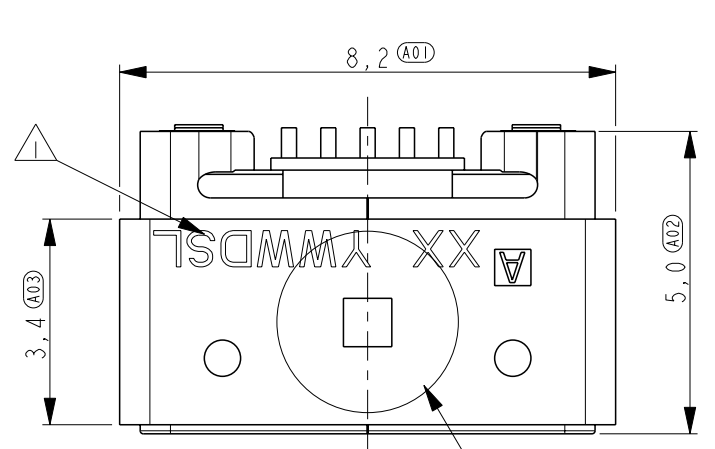
Email & Skype: info@chipsmall.com Web: www.chipsmall.com

Address: A1208, Overseas Decoration Building, #122 Zhenhua RD., Futian, Shenzhen, China



THIS DRAWING IS UNPUBLISHED. RELEASED FOR PUBLICATION 20
 © COPYRIGHT 20 ALL RIGHTS RESERVED.

LOC		DIST		REVISIONS			
P	LTR	DESCRIPTION	DATE	DWN	APVD		
	I	FIRST ISSUE	18APR2013	WJ	DH		
	A	ECR-13-011357	17JUL2013	RK	MG		



- NOTES:
- 1 VERSION: XX, PRODUCTION DATE: YWWD, SHIFT CODE: S, PRODUCTION LINE NO: L.
 - 2 COPLANARITY OF 11 SOLDER SURFACES 0,08 MAX AFTER 3X REFLOW.
 - 3 PICK AND PLACE AREA Ø3

TE PN: 2246077-1

THIS DRAWING IS A CONTROLLED DOCUMENT.

DIMENSIONS:	TOLERANCES UNLESS OTHERWISE SPECIFIED:
mm	0 PLC ±0,2
	1 PLC ±0,1
	2 PLC ±0,1
	3 PLC ±0,025
	4 PLC ±0,001
	ANGLES ±2°
MATERIAL	FINISH

ITEM NO.	DESCRIPTION	MATERIAL	FINISH
4	SLEEVE	LCP	
3	SHELL	STAINLESS STEEL	Tin over Nickel plating
2	CONTACT	COPPER ALLOY	Gold over Nickel plating
1	HOUSING	LCP	

DWN	18APR2013	 TE Connectivity	NAME SPLASH-PROOF MICRO USB B-TYPE 0,8 mm OFFSET				
CHK	18APR2013						
APVD	18APR2013						
PRODUCT SPEC	108-19460						
APPLICATION SPEC	-	SIZE	CAGE CODE	DRAWING NO	RESTRICTED TO		
WEIGHT	0,33gr	A3	00779	C-2246077	-		
CUSTOMER DRAWING	SCALE	8:1	SHEET	1	OF 3	REV	A

THIS DRAWING IS UNPUBLISHED.

RELEASED FOR PUBLICATION

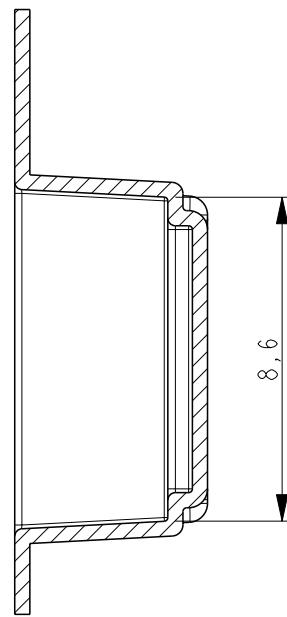
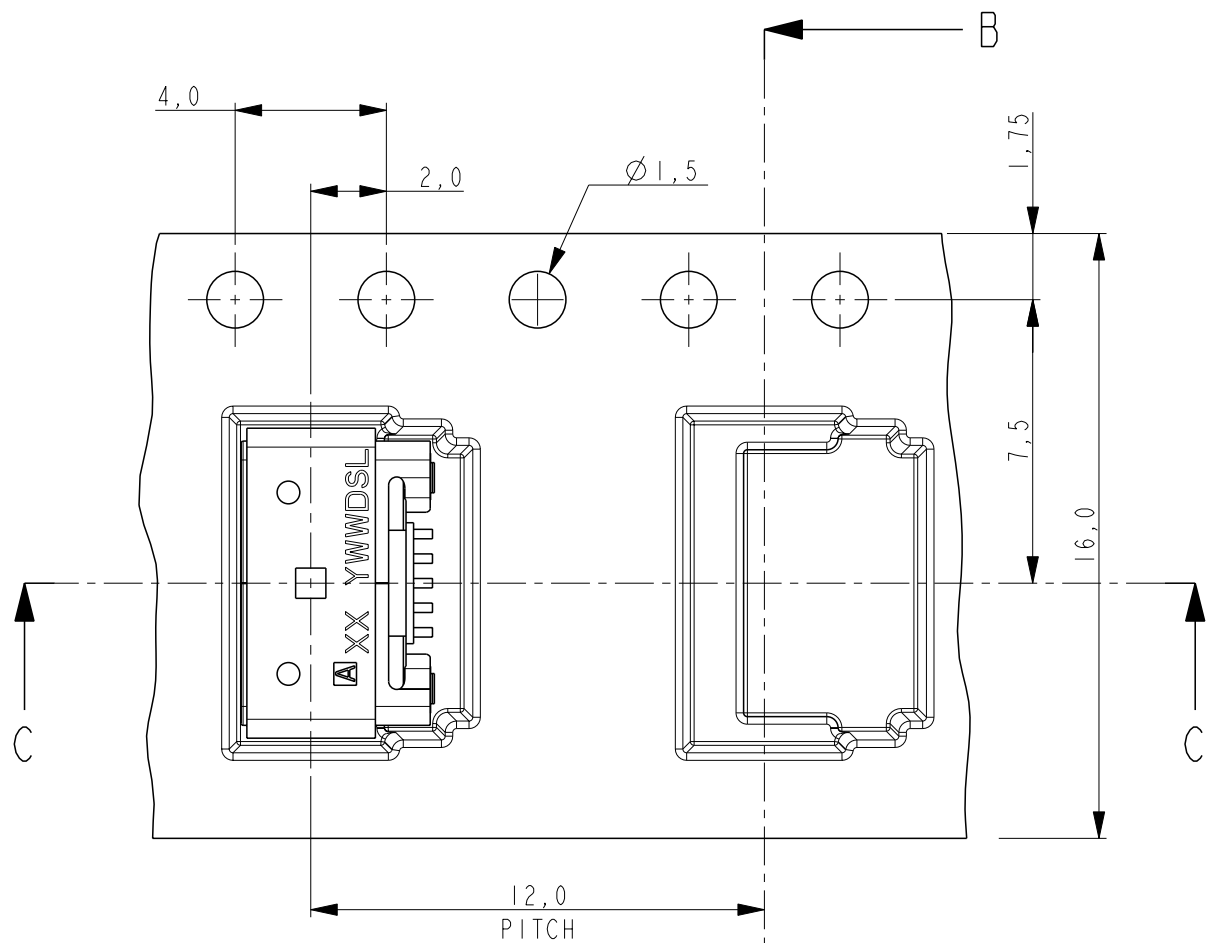
20

© COPYRIGHT 20

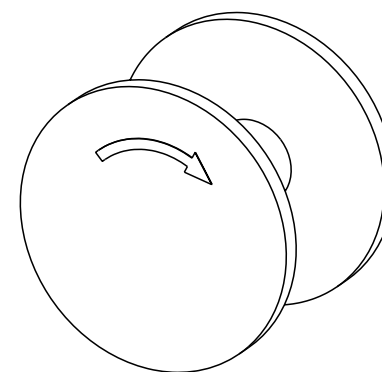
ALL RIGHTS RESERVED.

LOC	DIST
-	-

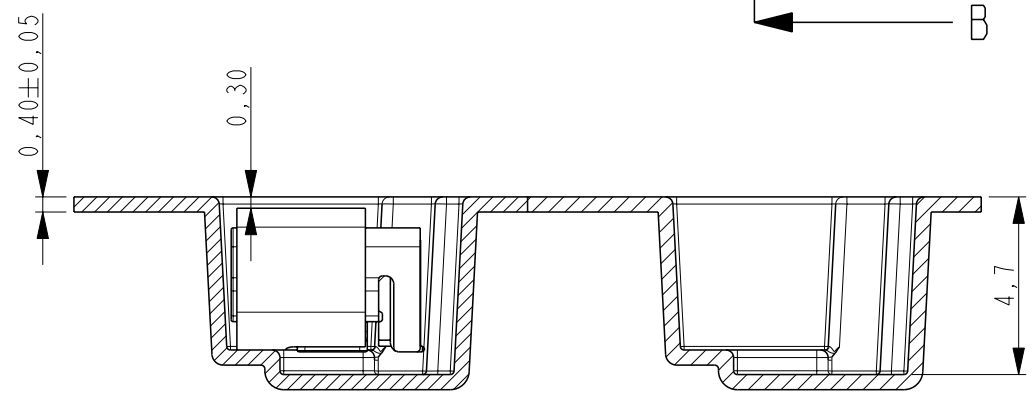
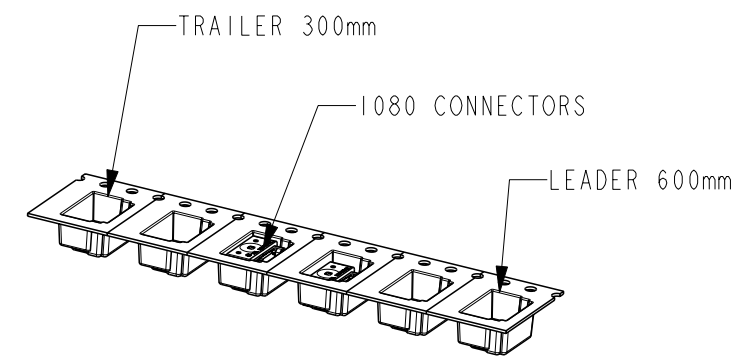
REVISIONS					
P	LTR	DESCRIPTION	DATE	DWN	APVD
-	-	SEE SHEET 1	-	-	-



SECTION B-B


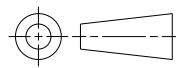


REEL DIA 330

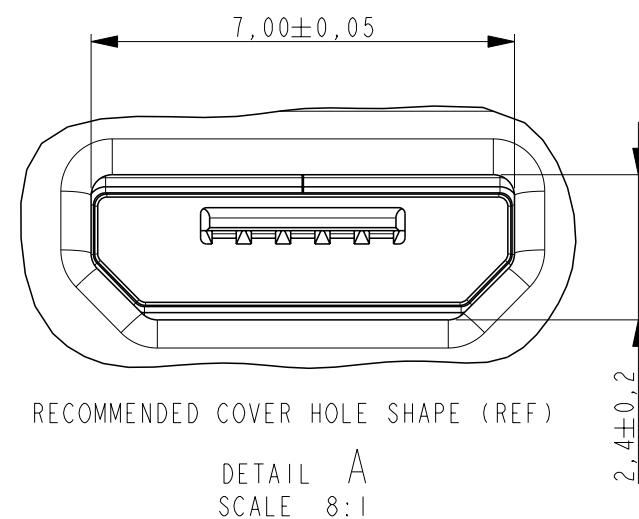
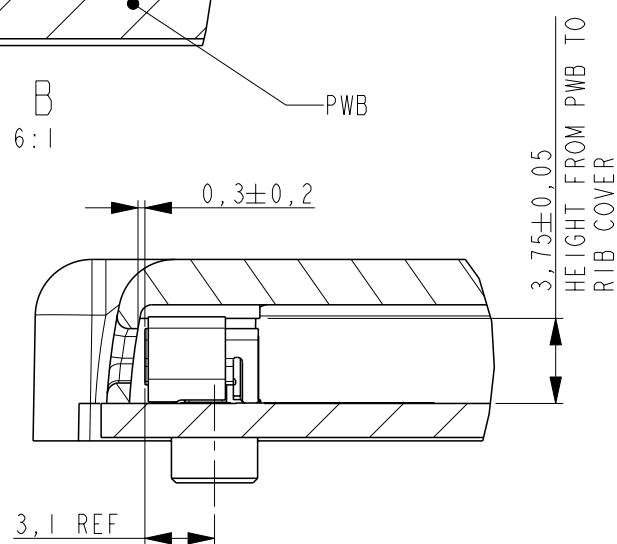
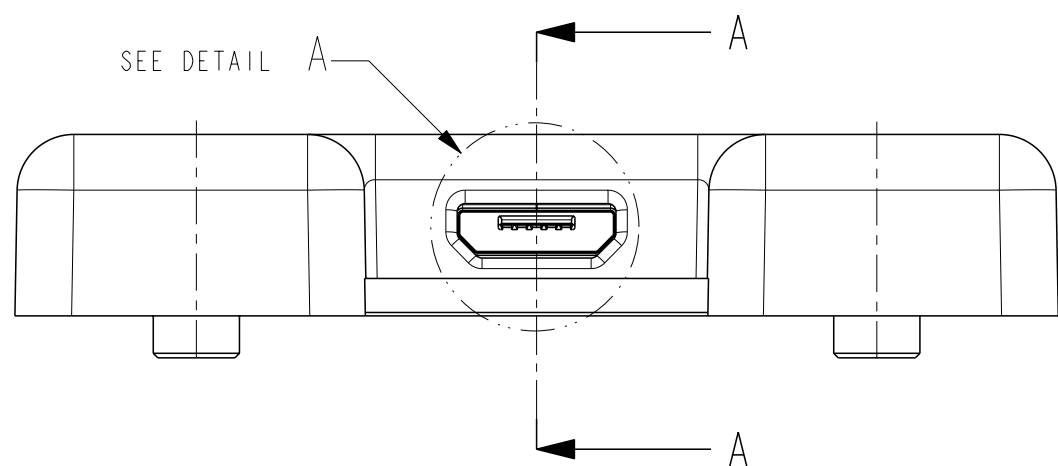
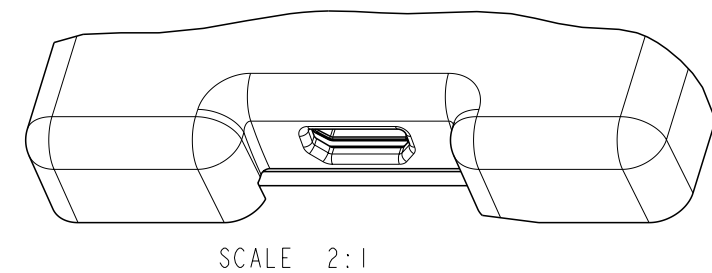
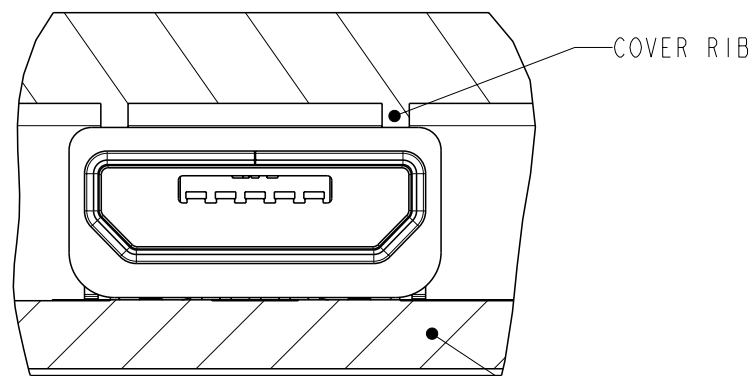
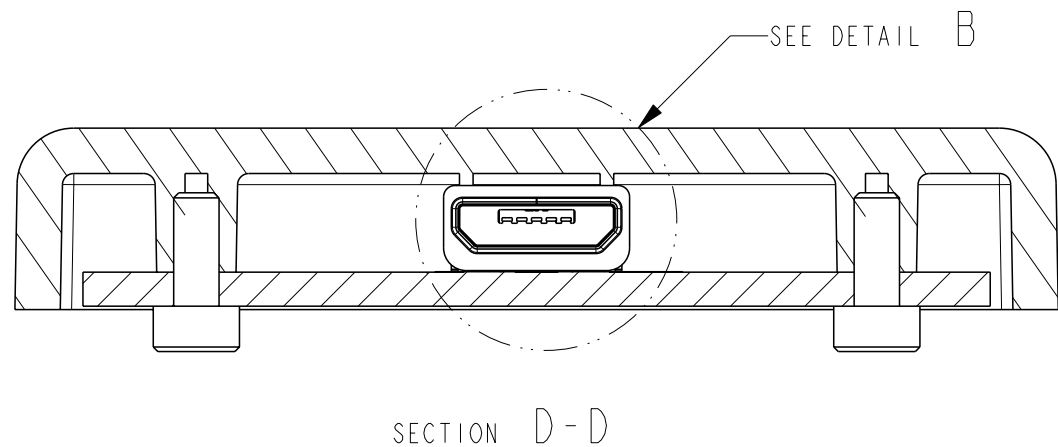


SECTION C-C

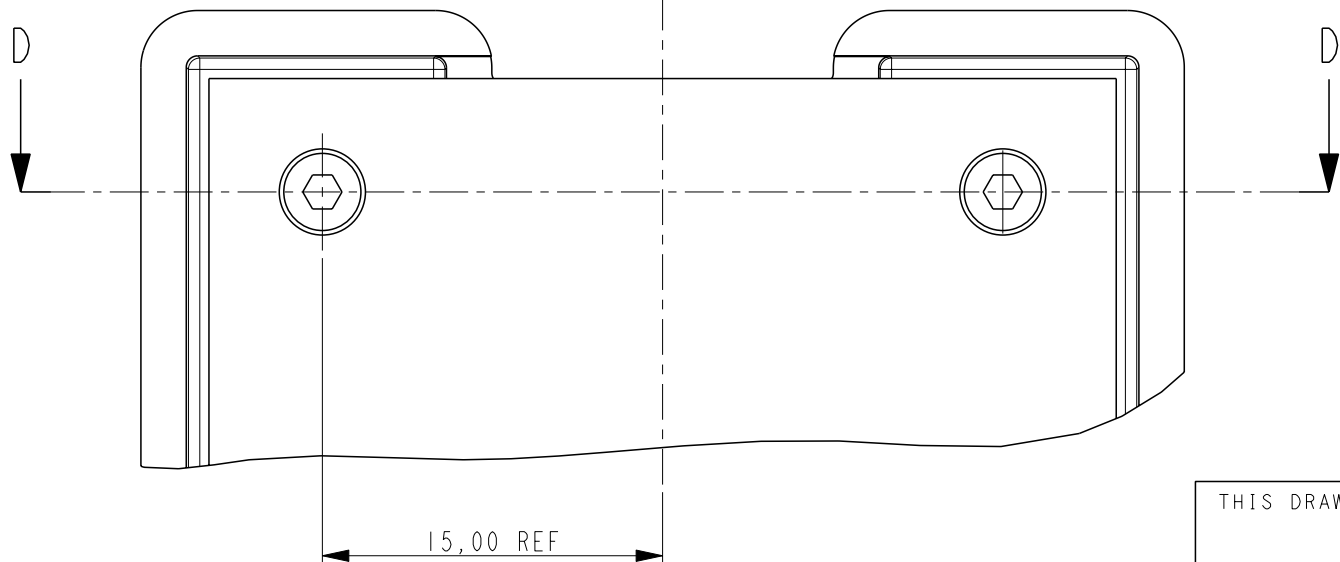
NOTES:
COVER, EMOSS TAPE AND REEL ACCODING EIA STANDARD 481-D

THIS DRAWING IS A CONTROLLED DOCUMENT.		DWN W. Jansen 18APR2013	 TE Connectivity				
DIMENSIONS: mm		CHK W. Jansen 18APR2013				NAME SPLASH-PROOF MICRO USB B-TYPE 0,8 mm OFFSET	
		APVD D. Halberstadt 18APR2013				PRODUCT SPEC 108-19460	
TOLERANCES UNLESS OTHERWISE SPECIFIED:		PRODUCT SPEC 108-19460				APPLICATION SPEC -	
MATERIAL -		FINISH -	WEIGHT 0,33gr	SIZE A3	CAGE CODE 00779		
				DRAWING NO C=2246077	RESTRICTED TO -		
CUSTOMER DRAWING			SCALE 5:1	SHEET 2	OF 3		
				REV A			

P	LTR	DESCRIPTION	DATE	DWN	APVD
-	-	SEE SHEET 1	-	-	-



RECOMMENDED PWB AND COVER ASSEMBLY (REF)



THIS DRAWING IS A CONTROLLED DOCUMENT.

DIMENSIONS: mm	TOLERANCES UNLESS OTHERWISE SPECIFIED:
	0 PLC ±0,2
	1 PLC ±0,1
	2 PLC ±0,1
	3 PLC ±0,025
	4 PLC ±0,001
	ANGLES ±2°
MATERIAL	FINISH

DWN	W. Jansen	18APR2013
CHK	W. Jansen	18APR2013
APVD	D. Halberstadt	18APR2013
PRODUCT SPEC	108-19460	
APPLICATION SPEC	-	
WEIGHT	0,33gr	A3
CUSTOMER DRAWING		

		TE Connectivity	
NAME			
SPLASH-PROOF MICRO USB B-TYPE 0,8 mm OFFSET			
SIZE	CAGE CODE	DRAWING NO	RESTRICTED TO
A3	00779	C-2246077	-
SCALE 3:1		SHEET 3 OF 3	REV A