



Chipsmall Limited consists of a professional team with an average of over 10 year of expertise in the distribution of electronic components. Based in Hongkong, we have already established firm and mutual-benefit business relationships with customers from,Europe,America and south Asia,supplying obsolete and hard-to-find components to meet their specific needs.

With the principle of “Quality Parts,Customers Priority,Honest Operation,and Considerate Service”,our business mainly focus on the distribution of electronic components. Line cards we deal with include Microchip,ALPS,ROHM,Xilinx,Pulse,ON,Everlight and Freescale. Main products comprise IC,Modules,Potentiometer,IC Socket,Relay,Connector.Our parts cover such applications as commercial,industrial, and automotives areas.

We are looking forward to setting up business relationship with you and hope to provide you with the best service and solution. Let us make a better world for our industry!



## Contact us

Tel: +86-755-8981 8866 Fax: +86-755-8427 6832

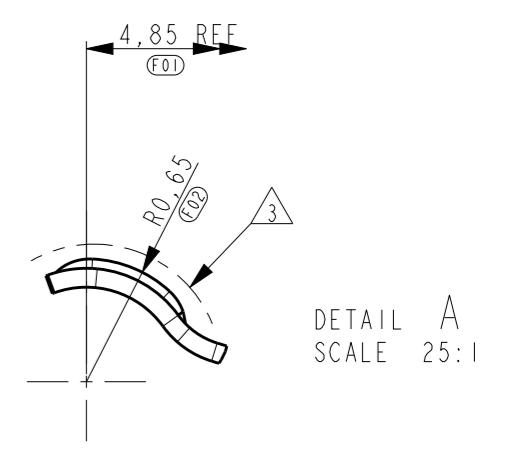
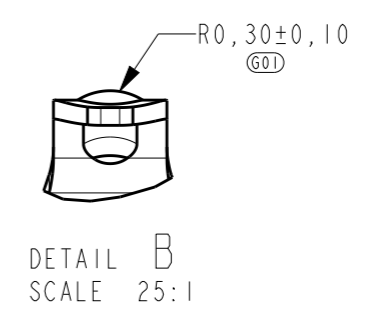
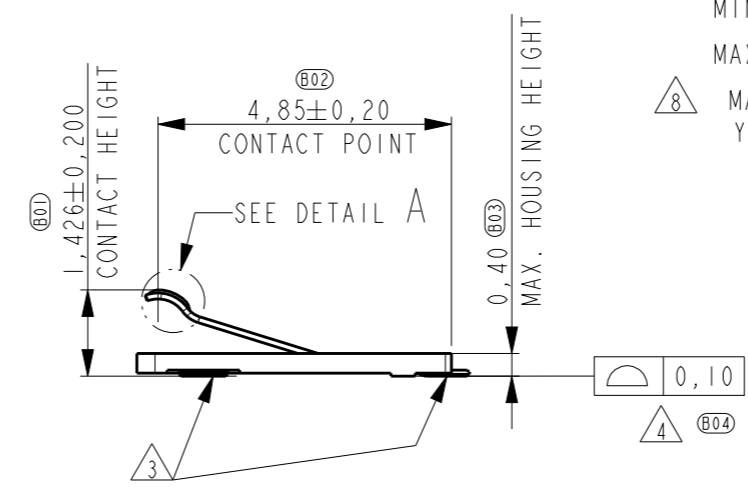
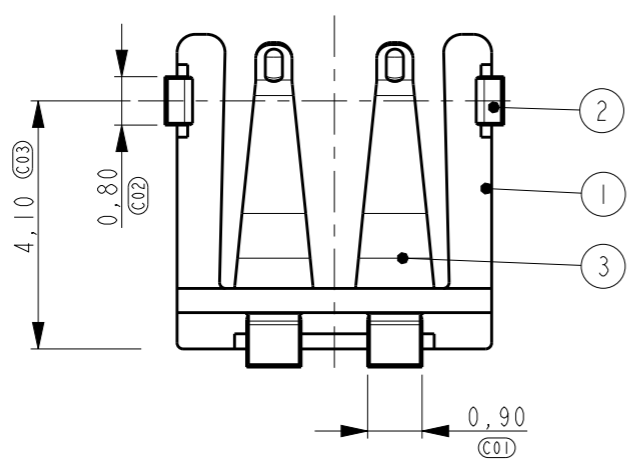
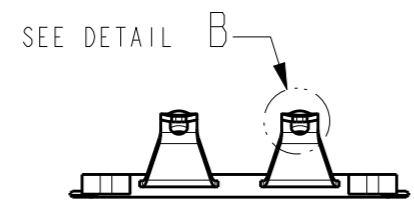
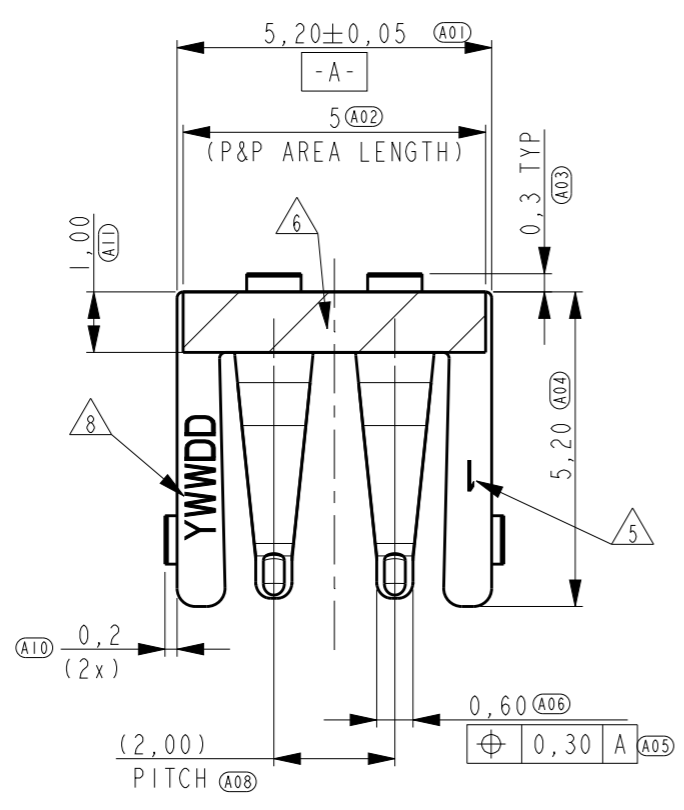
Email & Skype: info@chipsmall.com Web: www.chipsmall.com

Address: A1208, Overseas Decoration Building, #122 Zhenhua RD., Futian, Shenzhen, China



THIS DRAWING IS UNPUBLISHED. RELEASED FOR PUBLICATION  
 © COPYRIGHT - BY - ALL RIGHTS RESERVED.

LOC	DIST	REVISIONS			
P	LTR	DESCRIPTION	DATE	DWN	APVD
ES	-	A	INITIAL RELEASE	05SEP2013	RW SY



- NOTES:
- P.N. AS SHOWN 2246092-2.
  - DRAWING REPRESENTS PART VERSION VI.
  - PLATING: - 1,27µm MIN. NICKEL ALL OVER,  
- 0,3µm MIN GOLD ON CONTACT POINTS (INDICATED BY DASHED LINE),  
- GOLD FLASH ON SOLDER TAILS
  - COPLANARITY OF SOLDER SURFACES 0,10 MAX.
  - MARKING: CAVITY ID, RECESSED.
  - PICK & PLACE SURFACE DEFINED BY HATCHED AREA.
  - CONTACT WORKING HEIGHT 0,70mm±0,30mm,  
MIN FORCE 0,20N AT 1,00mm,  
MAX FORCE 0,80N AT 0,40mm MEASURED FROM SOLDER SURFACE UP.
  - MARKING: DATE CODE  
Y=YEAR, WW=WEEK, DD=DAY&SHIFT

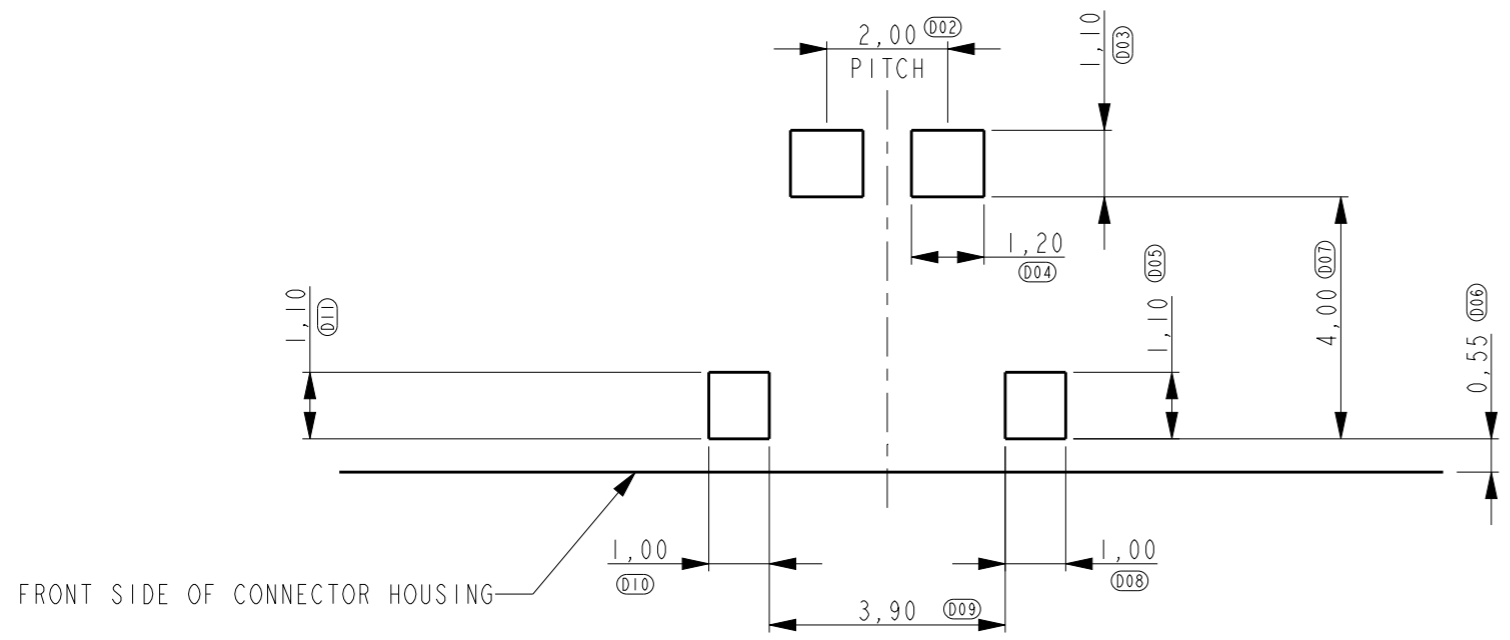
ITEM NO.	DESCRIPTION	MATERIAL	FINISH
3	CONTACT	STAINLESS STEEL	GOLD PLATED
2	SOLDER TAB	STAINLESS STEEL	GOLD PLATED
1	HOUSING	PLASTIC, GF	-

THIS DRAWING IS A CONTROLLED DOCUMENT.

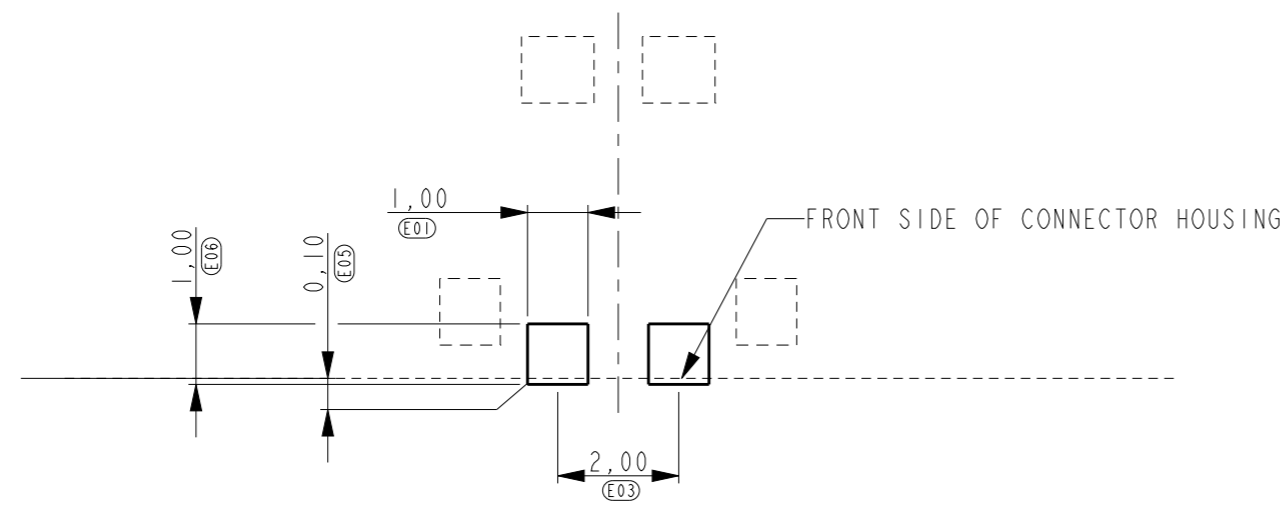
DWN RAY WANG	05SEP2013	<b>STE</b> TE Connectivity	Board to Board Connector		
CHK WENKE HE	05SEP2013				
APVD STEVEN YAO	05SEP2013				
PRODUCT SPEC 108-19386					
MATERIAL	FINISH	SIZE A3	CAGE CODE 00779	DRAWING NO C-2246092	RESTRICTED TO
Customer Drawing		SCALE 8:1	SHEET 1	OF 3	REV A

THIS DRAWING IS UNPUBLISHED. RELEASED FOR PUBLICATION  
 © COPYRIGHT - BY - ALL RIGHTS RESERVED.

LOC	DIST	REVISIONS			
P	LTR	DESCRIPTION	DATE	DWN	APVD
	-	SEE SHEET 1	-	-	-



RECOMMENDED PWB LAY-OUT  
 PWB SOLDER SIDE



RECOMMENDED PWB LAY-OUT  
 PWB CONTACT SIDE

THIS DRAWING IS A CONTROLLED DOCUMENT.		DWN RAY WANG 05SEP2013	TE Connectivity	
DIMENSIONS: mm		CHK WENKE HE 05SEP2013		
TOLERANCES UNLESS OTHERWISE SPECIFIED:		APVD STEVEN YAO 05SEP2013	NAME Board to Board Connector	
0 PLC ±0,20 1 PLC ±0,10 2 PLC ±0,05 3 PLC ± 4 PLC ± ANGLES ±-		PRODUCT SPEC -	RESTRICTED TO -	
MATERIAL -		FINISH -	APPLICATION SPEC -	SIZE A3
		WEIGHT -	CAGE CODE 00779	DRAWING NO C-2246092
		Customer Drawing	SCALE 8:1	SHEET 2 OF 3
				REV A

THIS DRAWING IS UNPUBLISHED.

RELEASED FOR PUBLICATION

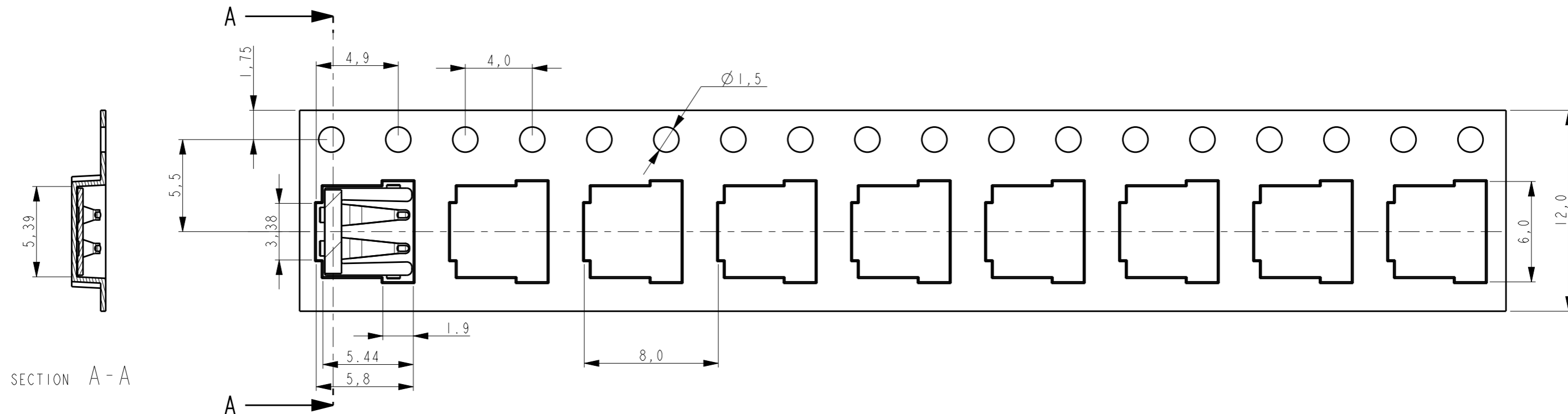
© COPYRIGHT - BY - ALL RIGHTS RESERVED.

LOC  
ES

DIST  
-

REVISIONS

P	LTR	DESCRIPTION	DATE	DWN	APVD
-	-	SEE SHEET 1	-	-	-



SECTION A-A

USER DIRECTION OF UNREELING

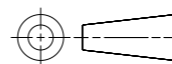
NOTES:

- REEL DIMENSIONS: 330x100x12,4
- QTY PER REEL: 4000PCS.

THIS DRAWING IS A CONTROLLED DOCUMENT.

DIMENSIONS:

mm



TOLERANCES UNLESS OTHERWISE SPECIFIED:

- 0 PLC ±-
- 1 PLC ±0.10
- 2 PLC ±0.10
- 3 PLC ±-
- 4 PLC ±-
- ANGLES ±-

MATERIAL

FINISH

DWN 05SEP2013

RAY WANG

CHK 05SEP2013

WENKE HE

APVD 05SEP2013

STEVEN YAO

PRODUCT SPEC

APPLICATION SPEC

WEIGHT

Customer Drawing



TE Connectivity

NAME

Board to Board Connector

SIZE

CAGE CODE

DRAWING NO

RESTRICTED TO

A3

00779

C=2246092

SCALE

8:1

SHEET

3

OF

3

REV

A