



Chipsmall Limited consists of a professional team with an average of over 10 year of expertise in the distribution of electronic components. Based in Hongkong, we have already established firm and mutual-benefit business relationships with customers from,Europe,America and south Asia,supplying obsolete and hard-to-find components to meet their specific needs.

With the principle of “Quality Parts,Customers Priority,Honest Operation,and Considerate Service”,our business mainly focus on the distribution of electronic components. Line cards we deal with include Microchip,ALPS,ROHM,Xilinx,Pulse,ON,Everlight and Freescale. Main products comprise IC,Modules,Potentiometer,IC Socket,Relay,Connector.Our parts cover such applications as commercial,industrial, and automotives areas.

We are looking forward to setting up business relationship with you and hope to provide you with the best service and solution. Let us make a better world for our industry!



Contact us

Tel: +86-755-8981 8866 Fax: +86-755-8427 6832

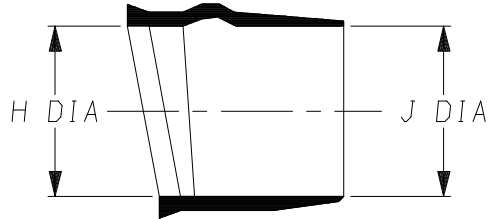
Email & Skype: info@chipsmall.com Web: www.chipsmall.com

Address: A1208, Overseas Decoration Building, #122 Zhenhua RD., Futian, Shenzhen, China

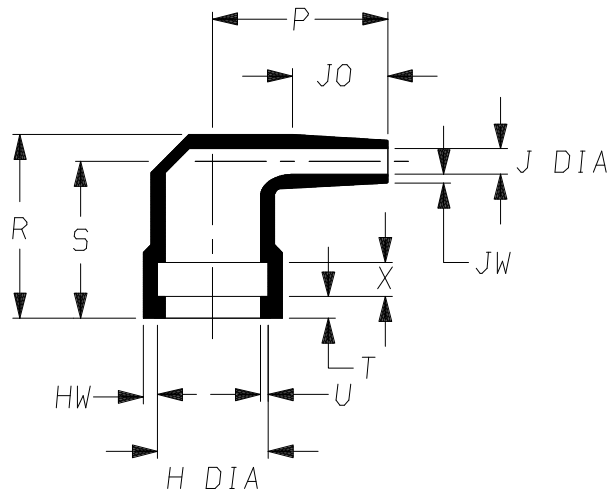


a) Part as supplied

224W221-*G03



b) Part after unrestricted recovery.



DIMENSIONS (in millimetres).

Part Number	H		J		P	R	S	T	U	X	JO	HW	JW
	Min	Max	Min	Max	±10%	±10%	±10%	±10%	±10%	±10%	±10%	±20%	±20%
	a	b	a	b	b	b	b	b	b	b	b	b	b
224W221-G03	11 {0.43}	7.8 {0.31}	11 {0.43}	1.9 {0.07}	12.3 {0.48}	13 {0.51}	11 {0.43}	1.5 {0.06}	0.55 {0.02}	2.4 {0.09}	6.6 {0.26}	1.0 {0.04}	0.5 {0.02}
	#		#										

This variant has a smaller H & J outlet
Modified dimensions are shown thus:- #

Copyright (!)

The copyright in this drawing is the property of Tyco Electronics UK Ltd. The drawing is issued on the condition that it is not copied, reproduced or disclosed to a third party, either in whole or in part without the prior written consent of Tyco Electronics UK Ltd.

Drawn A.LILLEY. Checked

Issue 2

Date June 2004

Conforms to ISO Recommendations
3rd Angle Projection
Not to Scale

Approval
Design

MKTG.

Q.A.

