



Chipsmall Limited consists of a professional team with an average of over 10 year of expertise in the distribution of electronic components. Based in Hongkong, we have already established firm and mutual-benefit business relationships with customers from,Europe,America and south Asia,supplying obsolete and hard-to-find components to meet their specific needs.

With the principle of "Quality Parts,Customers Priority,Honest Operation,and Considerate Service",our business mainly focus on the distribution of electronic components. Line cards we deal with include Microchip,ALPS,ROHM,Xilinx,Pulse,ON,Everlight and Freescale. Main products comprise IC,Modules,Potentiometer,IC Socket,Relay,Connector.Our parts cover such applications as commercial,industrial, and automotives areas.

We are looking forward to setting up business relationship with you and hope to provide you with the best service and solution. Let us make a better world for our industry!



Contact us

Tel: +86-755-8981 8866 Fax: +86-755-8427 6832

Email & Skype: info@chipsmall.com Web: www.chipsmall.com

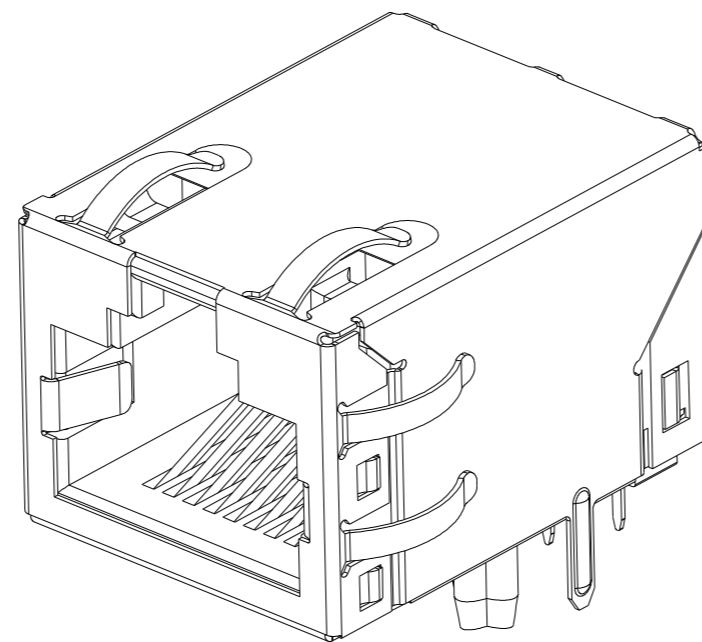
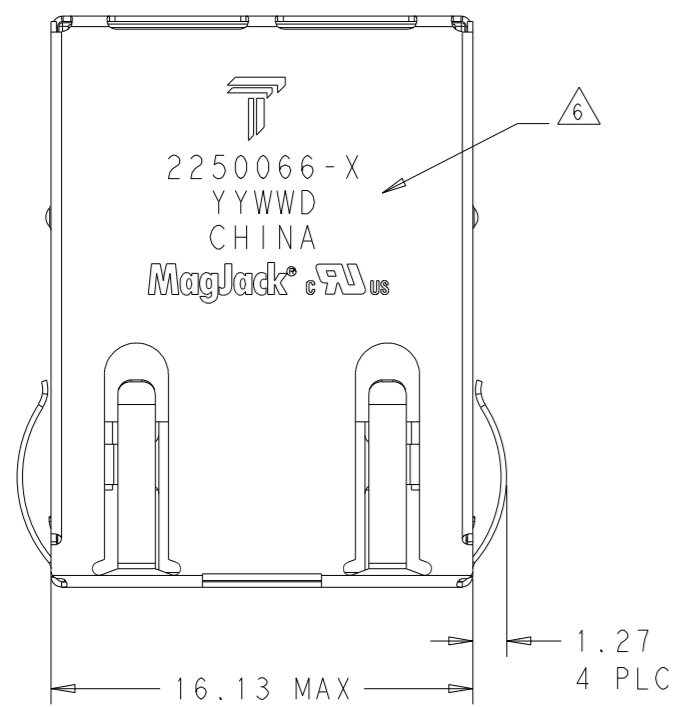
Address: A1208, Overseas Decoration Building, #122 Zhenhua RD., Futian, Shenzhen, China



THIS DRAWING AND THE SUBJECT MATTER SHOWN THEREON ARE CONFIDENTIAL AND THE PROPERTY OF BEL/STEWART/TRP CONNECTOR AND SHALL NOT BE REPRODUCED, COPIED, OR USED IN ANY MANNER WITHOUT THE WRITTEN CONSENT OF TRP CONNECTOR.

PRODUCT MAY BE PROTECTED BY ONE OR MORE OF THE FOLLOWING US PATENTS:
 5736910 5939955 6425781 6428361 6554638 6840817 7123117
 7429195 7717749 7808751 6217391 6149050 7924130

REVISIONS				
#	LT#	DESCRIPTION	DATE	OWN APVD
2		EC-1411035 COMPANY LOGO CHANGE	04JAN2015	DP TY



1. MATERIALS

- HOUSING: THERMOPLASTIC, FLAMMABILITY RATING UL 94V-0.
- SHIELD: BRASS 0.20mm THICK, PREPLATED WITH 0.76um MIN SEMI-BRIGHT NICKEL. SOLDER TABS POST DIPPED WITH 2.54um MIN SAC SOLDER.
- CONTACTS: PHOSPHOR BRONZE 0.46mm X 0.30mm, PHOSPHOR BRONZE, 1.27um MIN NICKEL UNDERPLATE, WITH 1.27um MIN GOLD PLATING AT MATING INTERFACE AND 2.54um MIN MATTE TIN ON SOLDER TAILS, OR 1.27um MIN NICKEL UNDERPLATE, WITH 0.05um GOLD PLATING OVER 0.76um MIN PALLADIUM NICKEL PLATING AT MATING INTERFACE AND 2.54um MIN MATTE TIN ON SOLDER TAILS.
- SOLDER TAILS: 0.25mm THICK, PHOSPHOR BRONZE, 1.27um MIN OVERALL NICKEL UNDERPLATE, 3um TIN PLATE

△ RJ45 JACK CAVITY CONFORMS TO FCC RULES AND REGULATIONS PART 68 SUB PART F.

△ MAGNETICS

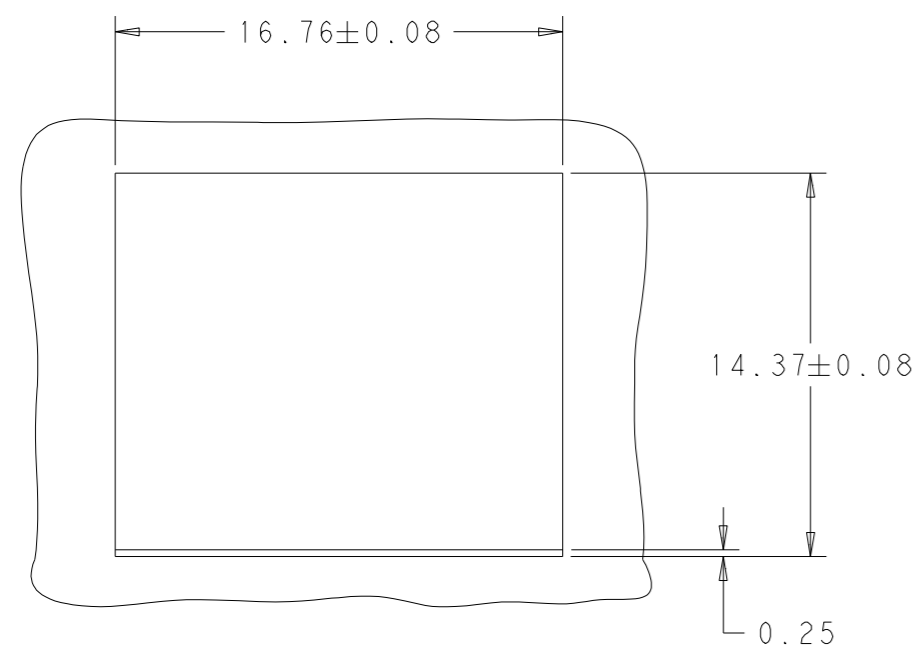
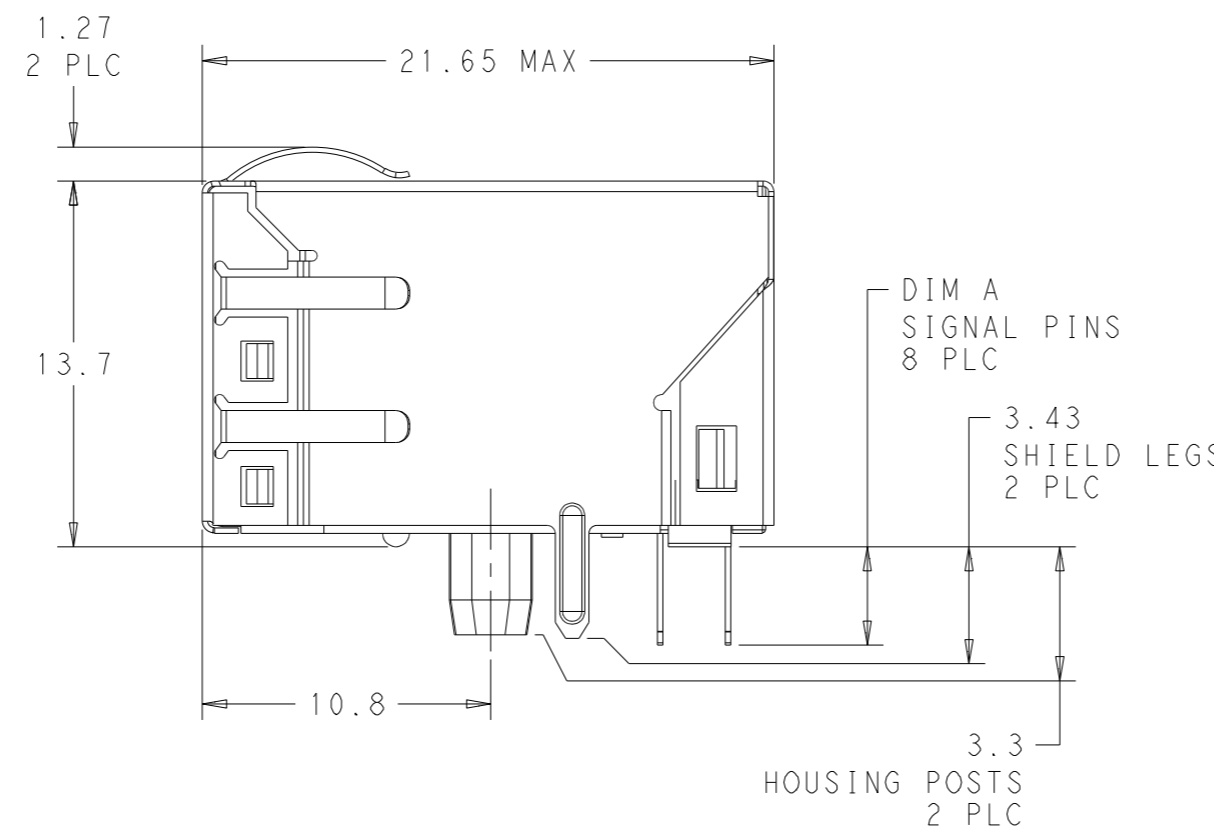
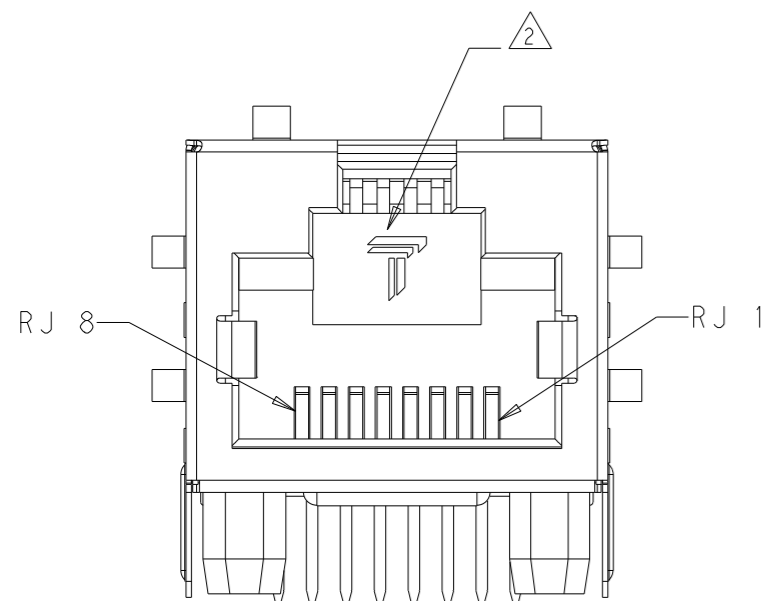
- APPLICATION: 10/100 BASE-T, EXTENDED TEMPERATURE
- IMPEDANCE: 100 OHMS
- TURNS RATIO (CHIP:CABLE): TX = 1:1, RX = 1:1
- OPEN CIRCUIT INDUCTANCE (OCL): 350uH MIN @100kHz, 0.1VRMS, 8mADC BIAS FROM -40°C TO +85°C, TX AND RX
- PERFORMANCE @ 25°C:
 INSERTION LOSS (IL): 1.1dB MAX FROM 0.5MHz TO 100MHz
 RETURN LOSS (RL): 18dB MIN FROM 0.5MHz TO 30MHz
 18-20LOG(f/30)dB MIN FROM 30.1MHz TO 60MHz
 12dB MIN FROM 60.1MHz TO 80MHz
 CROSSTALK ATTENUATION: 35dB MIN FROM 0.5MHz TO 40MHz
 33-20LOG(f/50)dB MIN FROM 40.1MHz TO 100MHz
 COMMON MODE REJECTION RATIO (CMRR): 30dB MIN FROM 0.5MHz TO 100MHz
- ISOLATION VOLTAGE: 2250VDC FOR 60 SECONDS WITH A RISE TIME OF 500 V/SEC

4. OPERATING TEMPERATURE: FROM -40°C TO +85°C.

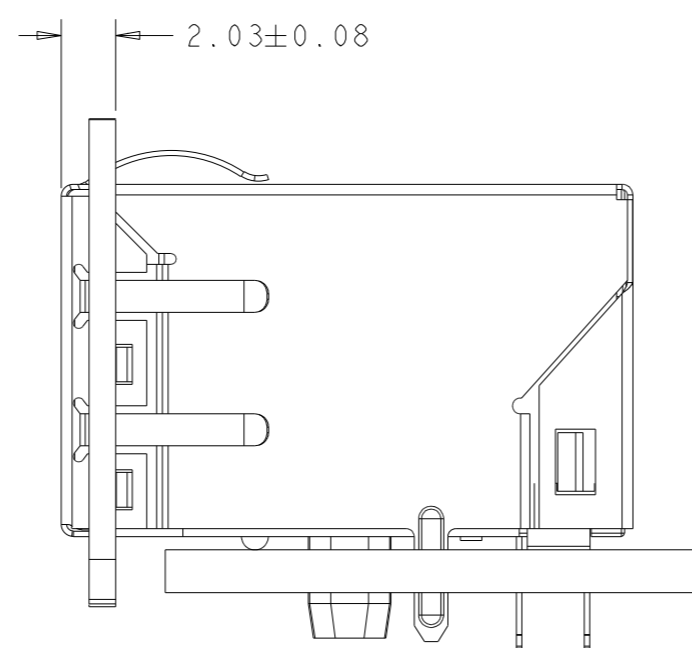
△ INDICATED MAGNETIC CONNECTIONS ARE SYMMETRICAL TO SUPPORT AUTO-MDI/MDIX.

△ TRP CONNECTOR LOGO, PART NUMBER, DATE CODE, COUNTRY OF ORIGIN AND AGENCY APPROVAL MARKING IN APPROXIMATE LOCATION SHOWN. DATE CODE: YYWW WHERE YY IS YEAR, WW IS WORK WEEK, D IS DAY OF WEEK, WITH SUNDAY=1.

7. PART SHOULD BE RECOMMENDED FOR WAVE SOLDERING PROCESS, PREHEAT TEMPERATURE IS 120°C TO 160°C, 120 SECONDS TO 180 SECONDS, PEAK WAVE SOLDERING TEMPERATURE IS 260°C MAX, 10 SECONDS MAX.



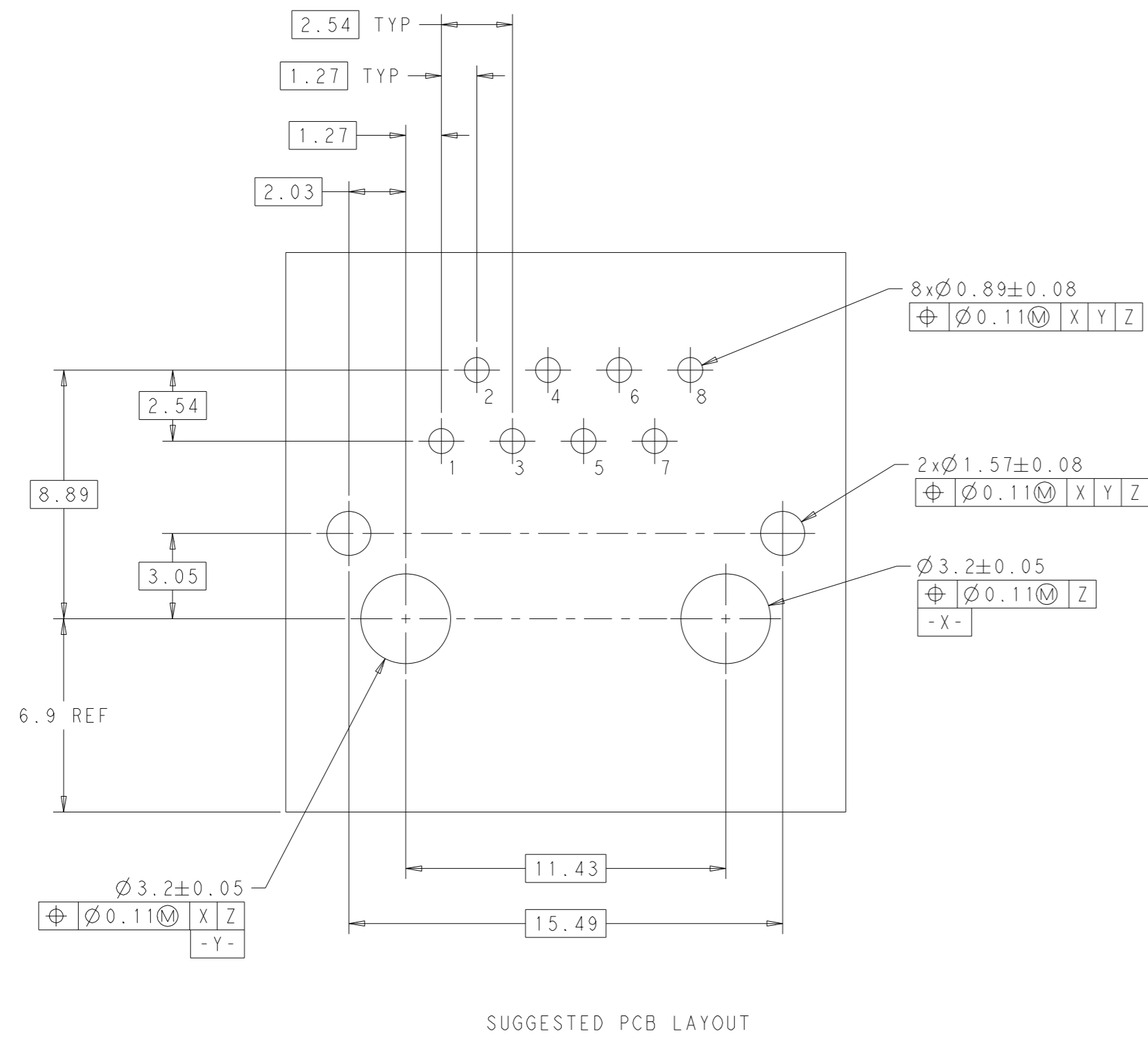
SUGGESTED PANEL CUTOUT



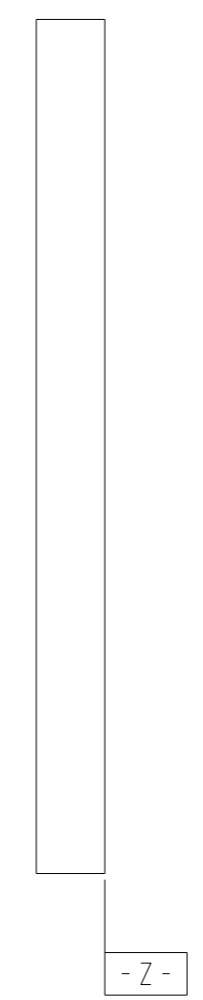
3.18	2250066-2
3.68	2250066-1
DIM A	PART NUMBER

THIS DRAWING IS A CONTROLLED DOCUMENT.		OWN	ROY LIU	17DEC2013
DIMENSIONS:		CHK	TOWER YU/ FRANK LIU	17DEC2013
mm		APVD	TONY YUAN	17DEC2013
TOLERANCES UNLESS OTHERWISE SPECIFIED:		MODEL NAME		
0 PLC	±0.25	MAGJACK		
1 PLC	±0.25	DESC		
2 PLC	±0.25	IXI 726ET 10/100 TAB UP W/O LED		
3 PLC	±0.25	SIZE		
4 PLC	±0.25	CAGE CODE		
ANGLES	±	DRAWING NO		
APPLICATION SPEC	±	RESTRICTED TO		
PRODUCT SPEC	±	A 1		
		CUSTOMER DRAWING		SCALE
				4:1
				SHEET
				1 OF 3
				REV
				2

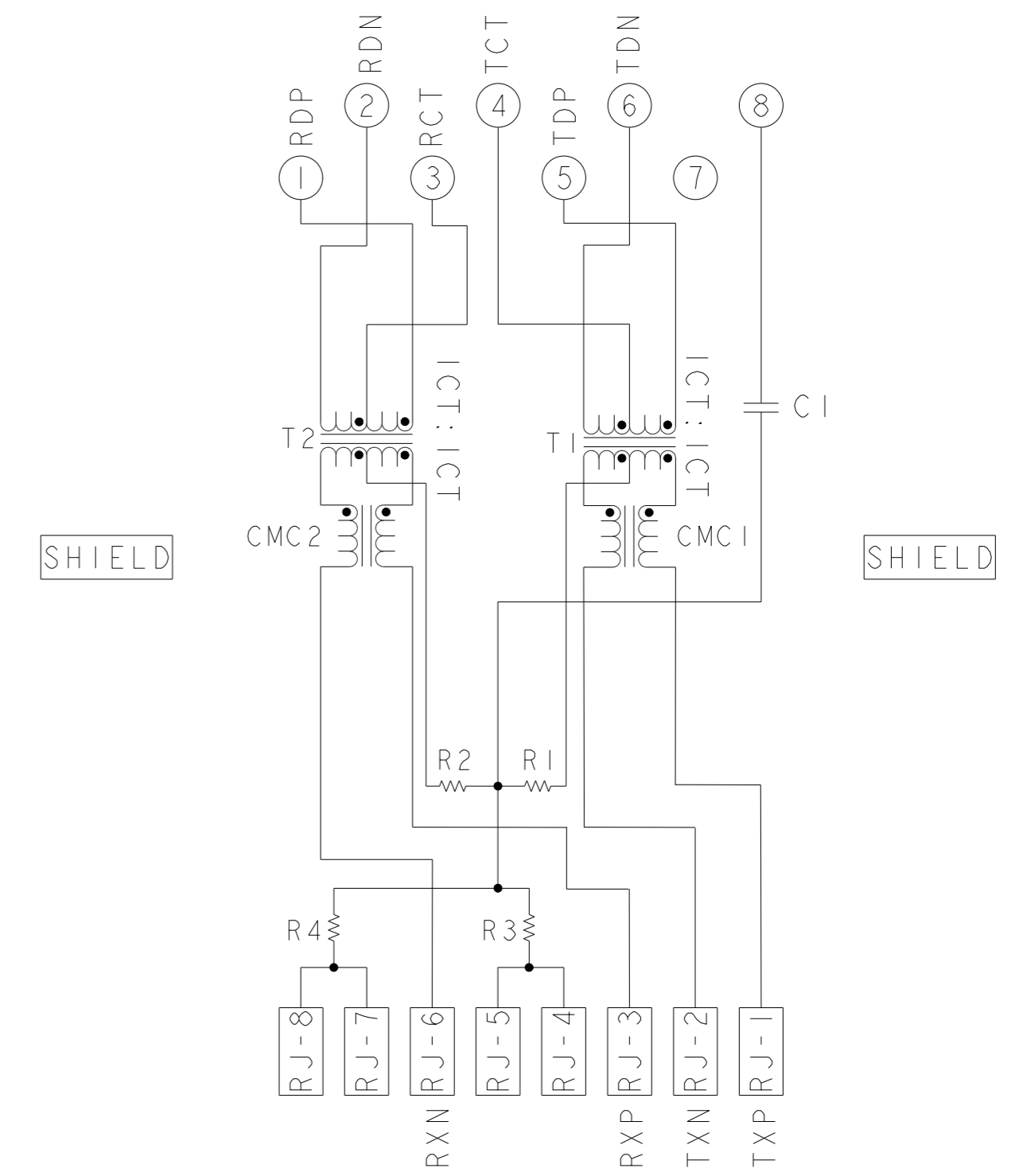




SUGGESTED PCB LAYOUT



726ET 10/100 CIRCUIT $\triangle \triangle$




C1=1000pF, 2kV CAPACITOR
 R1-R4 = 75 Ohms, 1/16 W RESISTORS

THIS DRAWING IS A CONTROLLED DOCUMENT.		OWN ROY LIU	17DEC2013	trp CONNECTOR a bel group DONGGUAN CHINA
DIMENSIONS: mm		CHK TOWER YU/ FRANK LIU	17DEC2013	
TOLERANCES UNLESS OTHERWISE SPECIFIED:		APVD TONY YUAN	17DEC2013	
0 PLC ± 0.25 1 PLC ± 0.25 2 PLC ± 0.25 3 PLC ± 0.25 4 PLC ± 0.25 ANGLES \pm APPLICATION SPEC \pm	MODEL NAME MAGJACK DESC SINGLE NON-POE CUSTOMER DRAWING	SIZE A1	CAGE CODE C=2250066	RESTRICTED TO -
SCALE		4:1		SHEET 2 OF 3
REV		2		REV 2

C_2250066					STOCK DISPOSITION			
REVISION HISTORY					A: CONTINUE AS IS		D: USE OLD FIRST	
					B: REWORK		E: PARTS TO CONFORM	
					C: SCRAP		F: OTHER	
DATE	REV	CHANGES	REASON	APPROVAL	INVENTORY (A,B,C,D,E,F)	WORK IN PROCESS (A,B,C,F)	SUPPLIER ORDERS (A,E,F)	OPEN CUST ORDERS (A,E,F)
17DEC2013	1	-	INITIAL RELEASE	TONY YUAN	-	-	-	-
04JAN2015	2	EC-1411035 COMPANY LOGO CHANGE	MARKET REQUEST	TONY YUAN	-	-	-	-

THIS DRAWING IS A CONTROLLED DOCUMENT.

DW	ROY LIU	17DEC2013
CHK	TOWER YU/ FRANK LIU	17DEC2013
APVD	TONY YUAN	17DEC2013



trp CONNECTOR DONGGUAN CHINA
a bel group

MODEL NAME	MAGJACK	DESC	IXI 726ET 10/100 TAB UP W/O LED
SIZE	A1	CAGE CODE	
DRAWING NO	C=2250066	RESTRICTED TO	-
PRODUCT SPEC	SINGLE NON-POE	CUSTOMER DRAWING	

SCALE	4:1	SHEET	3	OF	3	REV	2
-------	-----	-------	---	----	---	-----	---