



Chipsmall Limited consists of a professional team with an average of over 10 year of expertise in the distribution of electronic components. Based in Hongkong, we have already established firm and mutual-benefit business relationships with customers from,Europe,America and south Asia,supplying obsolete and hard-to-find components to meet their specific needs.

With the principle of “Quality Parts,Customers Priority,Honest Operation,and Considerate Service”,our business mainly focus on the distribution of electronic components. Line cards we deal with include Microchip,ALPS,ROHM,Xilinx,Pulse,ON,Everlight and Freescale. Main products comprise IC,Modules,Potentiometer,IC Socket,Relay,Connector.Our parts cover such applications as commercial,industrial, and automotives areas.

We are looking forward to setting up business relationship with you and hope to provide you with the best service and solution. Let us make a better world for our industry!



Contact us

Tel: +86-755-8981 8866 Fax: +86-755-8427 6832

Email & Skype: info@chipsmall.com Web: www.chipsmall.com

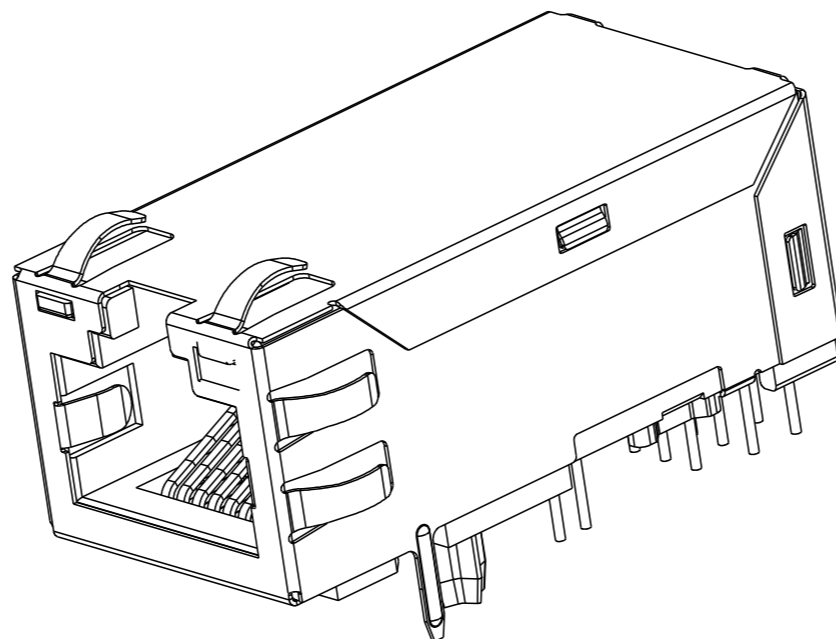
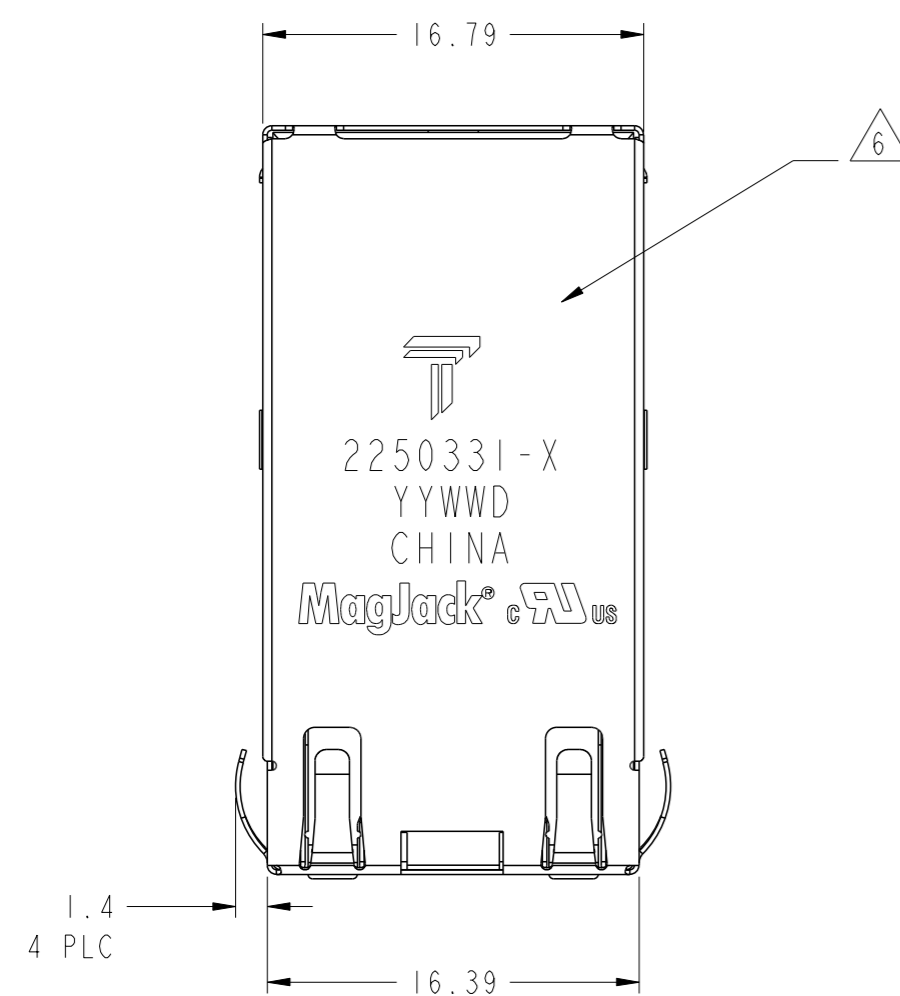
Address: A1208, Overseas Decoration Building, #122 Zhenhua RD., Futian, Shenzhen, China



THIS DRAWING AND THE SUBJECT MATTER SHOWN THEREON ARE CONFIDENTIAL AND THE PROPERTY OF BEL/STEWART/TRP CONNECTOR AND SHALL NOT BE REPRODUCED, COPIED, OR USED IN ANY MANNER WITHOUT THE WRITTEN CONSENT OF TRP CONNECTOR.

PRODUCT MAY BE PROTECTED BY ONE OR MORE OF THE FOLLOWING US PATENTS:
 5736910 5939955 6425781 6428361 6554638 6840817 7123117
 7429195 7717749 7808751 6217391 6149050 7924130

REVISIONS				
P	LTR	DESCRIPTION	DATE	APVD
1		INITIAL RELEASE	27AUG2015	TRY TYY
2		SEE LAST SHEET	09MAR2016	TRY TY



1. MATERIALS

HOUSING: THERMOPLASTIC, BLACK, FLAMMABILITY RATING UL 94V-0
 SHIELD: BRASS, 0.20mm THICK, PREPLATED WITH MIN 0.76μm SEMI-BRIGHT NICKEL POST DIPPED WITH 2.54μm MIN SAC SOLDER AT GROUND PINS.
 CONTACT: PHOSPHOR BRONZE, 0.46mmX0.30mm WITH 1.27μm MIN OVERALL NICKEL UNDERPLATE AND SELECTIVE 1.27μm MIN GOLD PLATING AT MATING INTERFACE.
 SOLDER TAIL (LED AND SIGNAL): Ø0.45mm COPPER PLATED STEEL, PLATED WITH 2.54μm MIN TIN.

2. MAGNETICS

-APPLICATION: 10/100/1000/2500 BASE-T 4PPoE EXTENDED TEMPERATURE
 -IMPEDANCE: 100 OHMS
 -TURNS RATIO (CHIP:CABLE): 1:1 ALL FOUR PAIRS
 -OPEN CIRCUIT INDUCTANCE (OCL): ALL CHANNELS 250uH MIN @100kHz, 0.1VRMS, 8mA DC BIAS FROM -40°C TO 85°C, 120uH MIN @100kHz, 0.1VRMS, 19mA DC BIAS FROM -40°C TO 85°C, ALL FOUR PAIRS.
 -ALL FOUR PAIRS BI-DIRECTIONAL
 -PoE CURRENT: 600mADC MAX
 -PERFORMANCE @ 25°C:
 TX AND RX RETURN LOSS
 1MHz <f<=40MHz -20 dB MAX.
 40MHz <f<=200MHz -20+15log10(f/40MHz) dB MAX.
 -ISOLATION VOLTAGE: 2250VDC FOR 60 SECONDS WITH A RISE TIME OF 500V/SEC.

3. OPERATING TEMPERATURE: -40°C TO 85°C

4. LIGHT PIPES ARE USED TO TRANSMIT LIGHT OF LED.

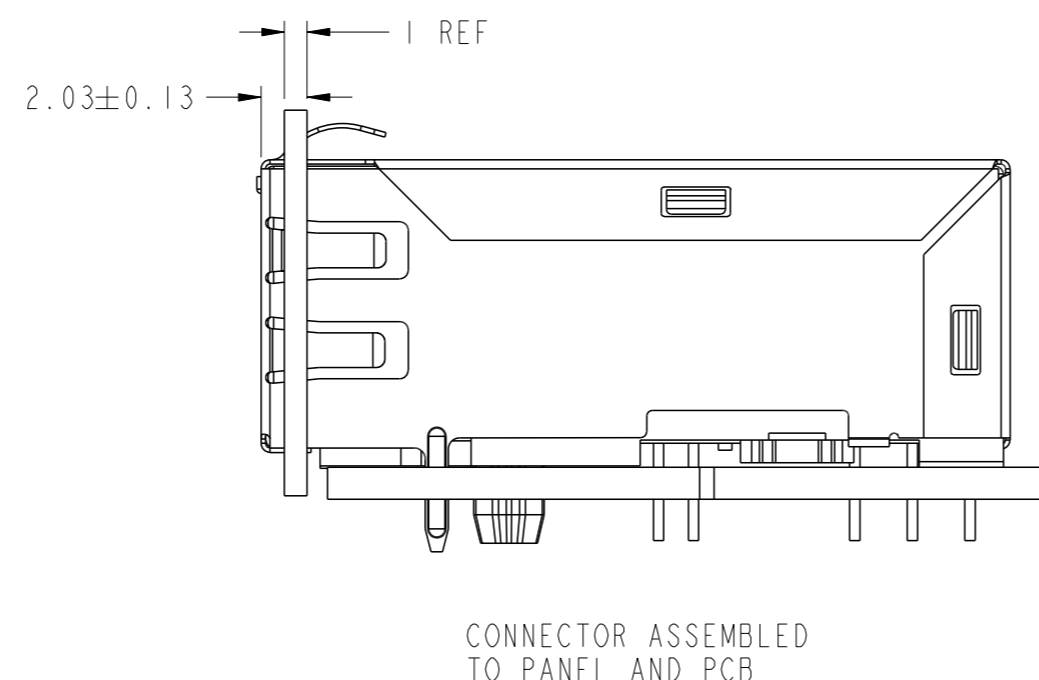
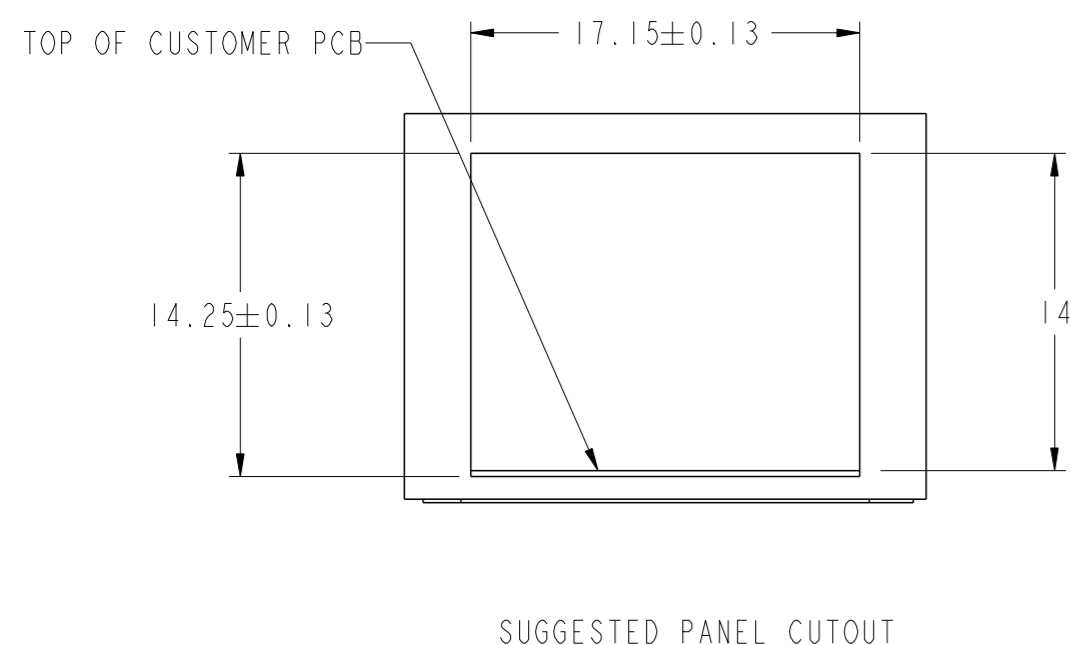
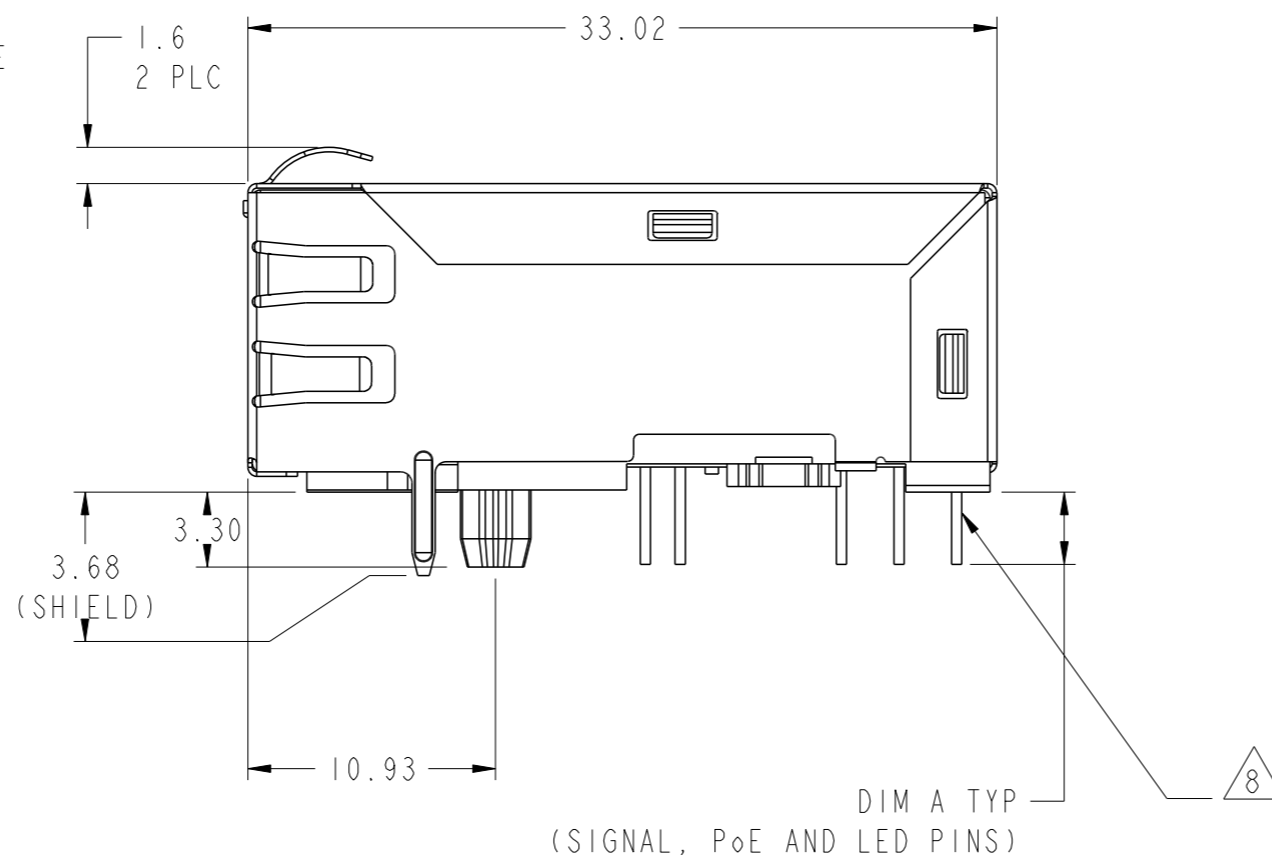
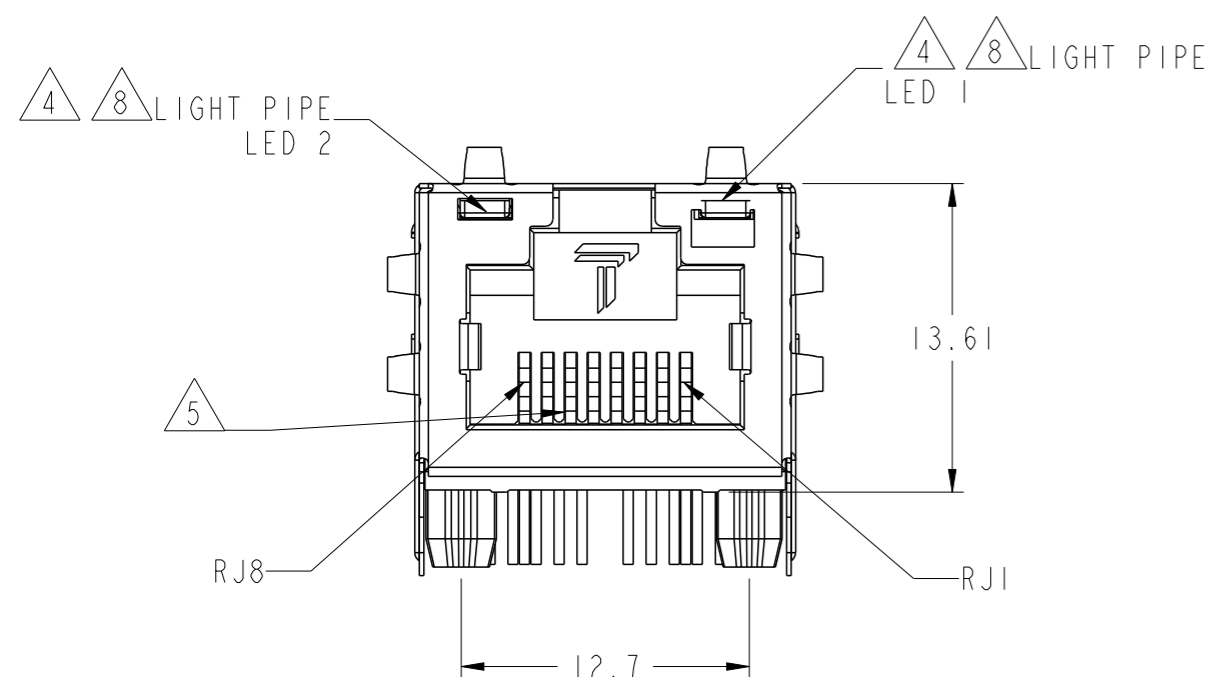
LEDS ARE DRIVEN WITH CONSTANT CURRENT AT APPROX 20mA.
 LED COLOR: DOMINANT WAVELENGTH (λ D): GREEN 567nm TYP. at IF=20mA
 FORWARD VOLTAGE (VF): GREEN 2.2V TYP. at IF=20mA
 DOMINANT WAVELENGTH (λ D): YELLOW 587nm TYP. at IF=20mA
 FORWARD VOLTAGE (VF): YELLOW 2.1V TYP. at IF=20mA
 DOMINANT WAVELENGTH (λ D): ORANGE 605 nm TYP @ IF=20 mA
 FORWARD VOLTAGE (VF): ORANGE 2.1V TYP @ IF=20 mA

5. RJ45 CAVITY CONFORMS TO FCC RULES AND REGULATION PART 68 SUBPART F.

6. TRP CONNECTOR LOGO, PART NUMBER, DATE CODE, COUNTRY OF ORIGIN, AGENCY APPROVAL MARKING IN APPROPRIATE LOCATION SHOWN. DATE CODE: YYWW "YY" IS YEAR, "WW" IS WORK WEEK, "D" IS DAY OF WEEK, WITH SUNDAY=1.

7. PART SHOULD BE RECOMMENDED FOR WAVE SOLDERING PROCESS, PEAK WAVE SOLDERING TEMPERATURE IS 260°C, 10 SECOND MAX.

8. LEDS AND LIGHT PIPES ARE OPTIONAL, 2250331-1 OR 2250331-5 SHOWN UNLESS OTHERWISE NOTED



2.24	YELLOW	GREEN	YELLOW	GREEN	2250331-7
2.24	-	-	-	-	2250331-6
3.18	YELLOW	GREEN	YELLOW	GREEN	2250331-5
3.18	ORANGE	GREEN	-	-	2250331-4
2.24	-	GREEN	-	GREEN	2250331-3
3.18	-	-	-	-	2250331-2
3.18	ORANGE	GREEN	-	YELLOW	2250331-1
DIM A	20-	19-	18-	18-	PART NUMBER
	LED 2		LED 1		

THIS DRAWING IS A CONTROLLED DOCUMENT, AND COMPLIANT TO ASME Y14.5M		DWN: TOWER YU / XENIA WANG CHK: BILL LIU APVD: TONY YUAN	27AUG2015 27AUG2015 27AUG2015	
DIMENSIONS: mm	TOLERANCES UNLESS OTHERWISE SPECIFIED:	trp CONNECTOR a bel group DONGGUAN CHINA		
0 PLC ±	1 PLC ±0.25	DESC: IXI 7VQ01ET 2.5GIGABIT 4PPoE TAB UP, W/ LEDS		
2 PLC ±0.25	3 PLC ±0.25	SIZE: A2		
4 PLC ±	ANGLES ±	DRAWING NO: C-2250331		
PRODUCT SPEC: -	APPLICATION SPEC: -	RESTRICTED TO: -		
MAGJACK SINGLE 4PPOE		CUSTOMER DRAWING		
		SCALE: NTS	SHEET: 1 OF 3	REV: 2

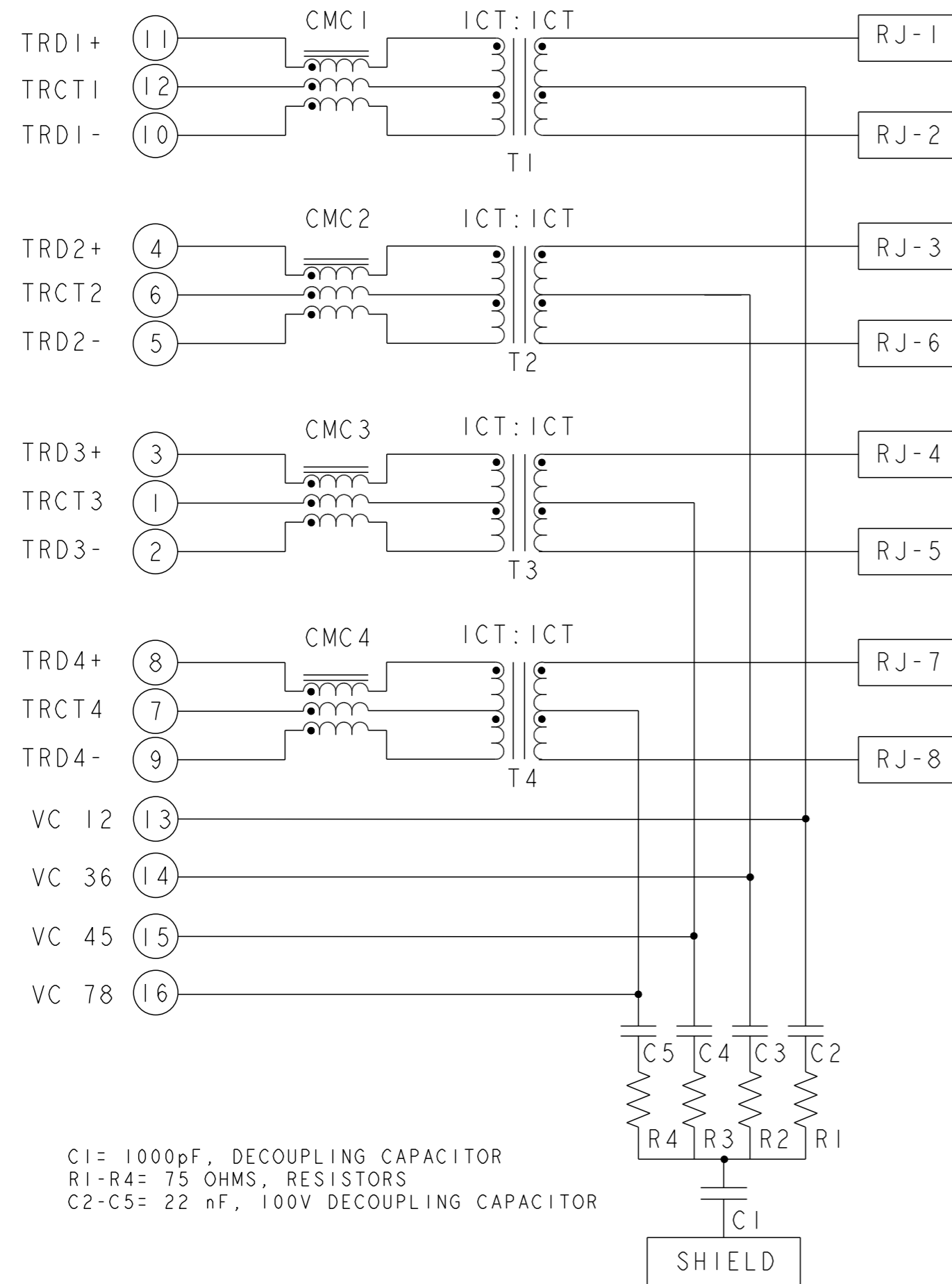
4

3

2

1

© COPYRIGHT TRP connector ALL RIGHTS RESERVED

7VQT01ET 2.5GIGABIT 4PPOE CIRCUIT 


TRD1+ (11)
TRCT1 (12)
TRD1- (10)

TRD2+ (4)
TRCT2 (6)
TRD2- (5)

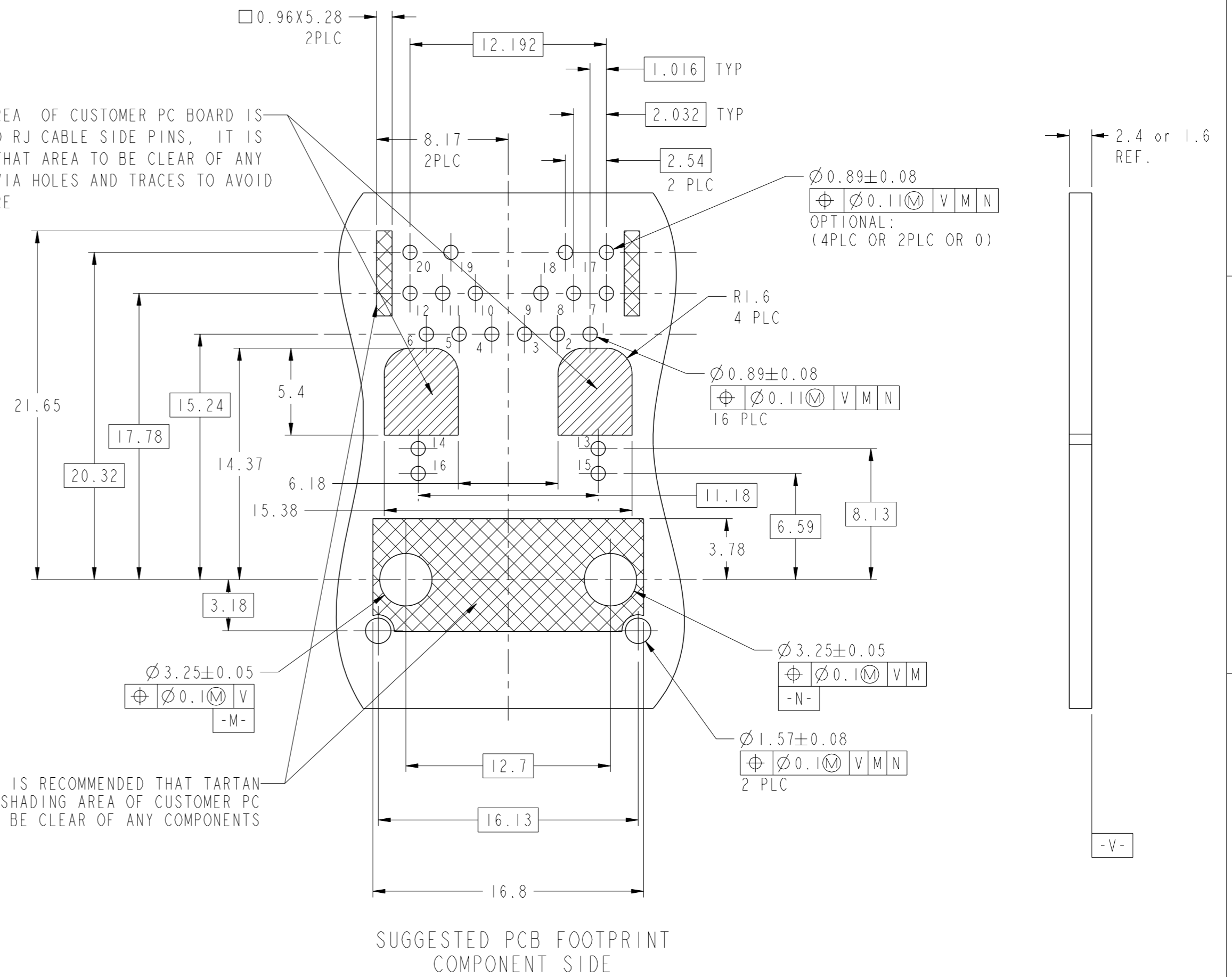
TRD3+ (3)
TRCT3 (1)
TRD3- (2)

TRD4+ (8)
TRCT4 (7)
TRD4- (9)

VC 12 (13)
VC 36 (14)
VC 45 (15)
VC 78 (16)

C1= 1000pF, DECOUPLING CAPACITOR
R1-R4= 75 OHMS, RESISTORS
C2-C5= 22 nF, 100V DECOUPLING CAPACITOR

THE SHADED AREA OF CUSTOMER PC BOARD IS EQUIVALENT TO RJ CABLE SIDE PINS, IT IS RECOMMENDED THAT AREA TO BE CLEAR OF ANY COMPONENTS, VIA HOLES AND TRACES TO AVOID HI-POT FAILURE



0.96x5.28 2PLC

12.192

1.016 TYP

2.032 TYP

8.17 2PLC

2.54 2 PLC

21.65

17.78

15.24

5.4

20.32

14.37

6.18

15.38

11.18

3.78

6.59

8.13

3.18

12.7

16.13

16.8

Ø0.89±0.08
Ø0.11 M V M N
OPTIONAL:
(4PLC OR 2PLC OR 0)

R1.6 4 PLC

Ø0.89±0.08
Ø0.11 M V M N
16 PLC

Ø3.25±0.05
Ø0.1 M V M
-N-

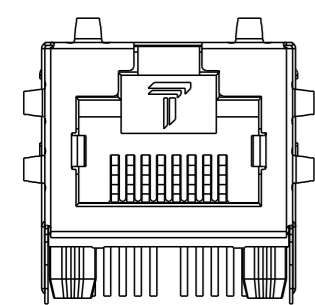
Ø1.57±0.08
Ø0.1 M V M N
2 PLC

IT IS RECOMMENDED THAT TARTAN SHADING AREA OF CUSTOMER PC BOARD BE CLEAR OF ANY COMPONENTS

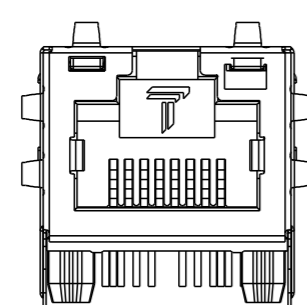
SUGGESTED PCB FOOTPRINT COMPONENT SIDE

2.4 or 1.6 REF.

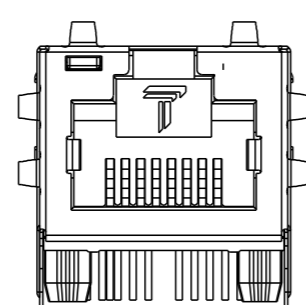
-V-



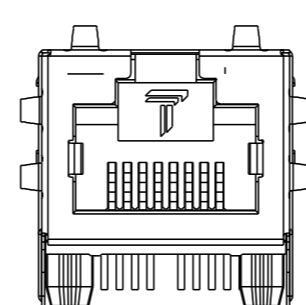
2250331-2
(WITHOUT ANY LED)



2250331-3
2250331-7
(WITH BOTH LEDS)



2250331-4
(WITH LEFT LED ONLY)



2250331-6
(WITHOUT ANY LED)

THIS DRAWING IS A CONTROLLED DOCUMENT,
AND COMPLIANT TO ASME Y14.5M

DIMENSIONS:
mm

TOLERANCES UNLESS OTHERWISE SPECIFIED:
0 PLC ±
1 PLC ±0.25
2 PLC ±0.25
3 PLC ±0.25
4 PLC ±
ANGLES ±
PRODUCT SPEC -
APPLICATION SPEC -

DWN 27AUG2015
TOWER YU / XENIA WANG
CHK 27AUG2015
BILL LIU
APVD 27AUG2015
TONY YUAN
MODEL NAME

MAGJACK
SINGLE 4PPOE

 **trp** CONNECTOR
a bel group

DONGGUAN
CHINA

DESC IXI 7VQT01ET 2.5GIGABIT 4PPoE
TAB UP, W/ LEDS


SIZE	CAGE CODE	DRAWING NO	RESTRICTED TO
A2		C-2250331	-

CUSTOMER DRAWING

SCALE NTS

SHEET 2 OF 3 REV 2

2250331_C						STOCK DISPOSITION			
						A:CONTINUE AS IS B:REWORK C:SCRAP		D:USE OLD FIRST E:PARTS TO CONFORM F:OTHER	
REVISION HISTORY									
DATE	REV	CHANGE	REASON	APPROVAL	INVENTORY (A,B,C,D,E,F)	WORK IN PROCESS (A,B,C,D)	SUPPLIER ORDERS (A,E,F)	OPEN CUST ORDERS (A,E,F)	
27AUG2015	1	-	INITIAL RELEASE	TONY YUAN	-	-	-	-	
09MAR2016	2	SHEET 2, D2: ADD SHADE AREA ON CUSTOMER BOARD	PRODUCT IMPROVEMENT	TONY YUAN	-	-	-	-	

THIS DRAWING IS A CONTROLLED DOCUMENT. AND COMPLIANT TO ASME Y14.5M		DWN TOWER YU / XENIA WANG 27AUG2015	 trp CONNECTOR a bel group	DONGGUAN CHINA	
DIMENSIONS: mm		CHK BILL LIU 27AUG2015		DESC IXI 7VQ01ET 2.5GIGABIT 4PPoE TAB UP, W/ LEDS	
TOLERANCES UNLESS OTHERWISE SPECIFIED:		APVD TONY YUAN 27AUG2015	SIZE A2		
0 PLC ± 1 PLC ±0.25 2 PLC ±0.25 3 PLC ±0.25 4 PLC ±		MODEL NAME MAGJACK SINGLE 4PPOE	DRAWING NO C-2250331		RESTRICTED TO -
ANGLES ± APPLICATION SPEC		CUSTOMER DRAWING			
PRODUCT SPEC -		SCALE NTS		SHEET 3	OF 3 REV 2