



Chipsmall Limited consists of a professional team with an average of over 10 year of expertise in the distribution of electronic components. Based in Hongkong, we have already established firm and mutual-benefit business relationships with customers from,Europe,America and south Asia,supplying obsolete and hard-to-find components to meet their specific needs.

With the principle of “Quality Parts,Customers Priority,Honest Operation,and Considerate Service”,our business mainly focus on the distribution of electronic components. Line cards we deal with include Microchip,ALPS,ROHM,Xilinx,Pulse,ON,Everlight and Freescale. Main products comprise IC,Modules,Potentiometer,IC Socket,Relay,Connector.Our parts cover such applications as commercial,industrial, and automotives areas.

We are looking forward to setting up business relationship with you and hope to provide you with the best service and solution. Let us make a better world for our industry!



Contact us

Tel: +86-755-8981 8866 Fax: +86-755-8427 6832

Email & Skype: info@chipsmall.com Web: www.chipsmall.com

Address: A1208, Overseas Decoration Building, #122 Zhenhua RD., Futian, Shenzhen, China



4

3

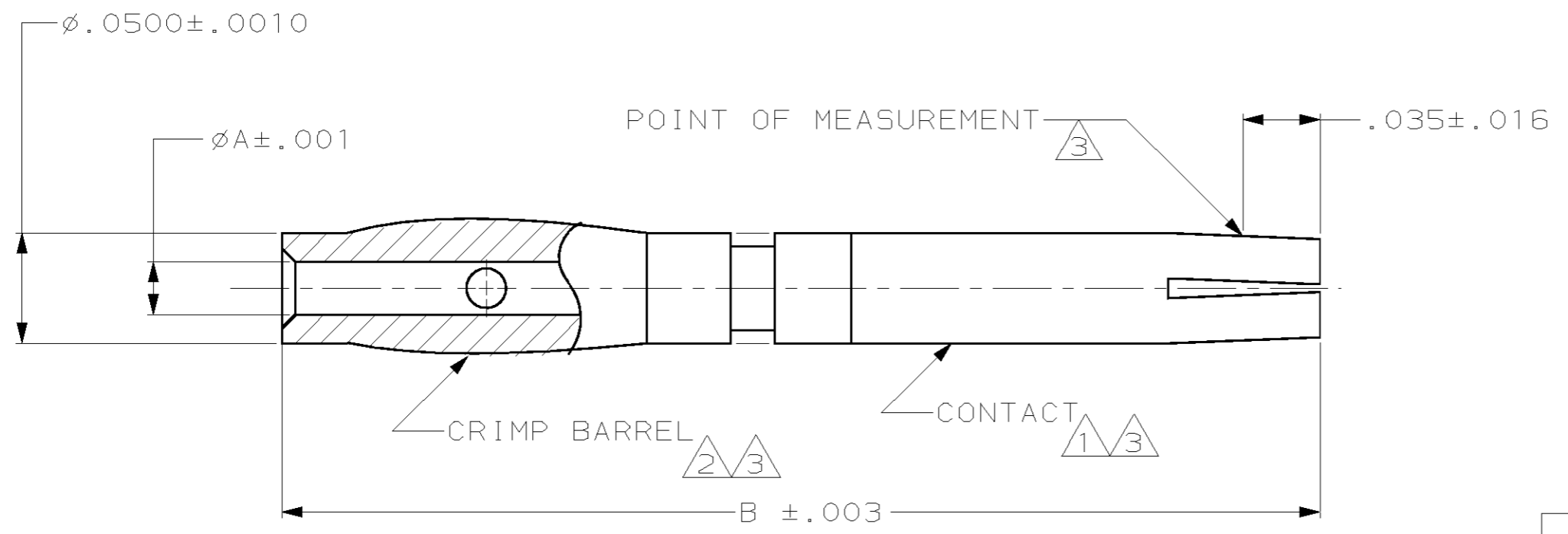
2

1

THIS DRAWING IS UNPUBLISHED. RELEASED FOR PUBLICATION, 19 .
 © COPYRIGHT 19 BY AMP INCORPORATED. ALL RIGHTS RESERVED.

LOC		DIST		REVISIONS			
P	LTR	DESCRIPTION		DATE	DWN	APVD	
	0	RELEASE PER 0U20-0533-00		20SEP00	MO	JH	

- ① BERYLLIUM COPPER PER ASTM-B-196.
- ② BRASS PER ASTM-B-453 OR ASTM-B-16.
- ③ PLATED WITH .000050 GOLD PER MIL-G-45204 OVER .000050 NICKEL PER QQ-N-290.



.476	.038	225546-4
.479	.042	225546-3
.463	.016	225546-2
.465	.024	225546-1
B	Ø A	PART NUMBER

THIS DRAWING IS A CONTROLLED DOCUMENT.		DWN M. O'BRINE 20SEP00	AMP AMP Incorporated Harrisburg, PA 17105-3608												
DIMENSIONS: INCHES		CHK J. HAVENER 20SEP00													
TOLERANCES UNLESS OTHERWISE SPECIFIED:		APVD J. HAVENER 20SEP00	NAME CONTACT ASSY, SMA												
<table border="0"> <tr> <td>0 PLC</td> <td>±-</td> </tr> <tr> <td>1 PLC</td> <td>±-</td> </tr> <tr> <td>2 PLC</td> <td>±-</td> </tr> <tr> <td>3 PLC</td> <td>±-</td> </tr> <tr> <td>4 PLC</td> <td>±-</td> </tr> <tr> <td>ANGLES</td> <td>±-</td> </tr> </table>		0 PLC	±-	1 PLC	±-	2 PLC	±-	3 PLC	±-	4 PLC	±-	ANGLES	±-	PRODUCT SPEC -	SIZE A3
0 PLC	±-														
1 PLC	±-														
2 PLC	±-														
3 PLC	±-														
4 PLC	±-														
ANGLES	±-														
MATERIAL ① ②		APPLICATION SPEC -	CAGE CODE 00779												
FINISH ③		WEIGHT -	DRAWING NO C- 225546												
CUSTOMER DRAWING			RESTRICTED TO -												
SCALE 15:1			SHEET 1 OF 1												
REV 0															