



Chipsmall Limited consists of a professional team with an average of over 10 year of expertise in the distribution of electronic components. Based in Hongkong, we have already established firm and mutual-benefit business relationships with customers from,Europe,America and south Asia,supplying obsolete and hard-to-find components to meet their specific needs.

With the principle of “Quality Parts,Customers Priority,Honest Operation,and Considerate Service”,our business mainly focus on the distribution of electronic components. Line cards we deal with include Microchip,ALPS,ROHM,Xilinx,Pulse,ON,Everlight and Freescale. Main products comprise IC,Modules,Potentiometer,IC Socket,Relay,Connector.Our parts cover such applications as commercial,industrial, and automotives areas.

We are looking forward to setting up business relationship with you and hope to provide you with the best service and solution. Let us make a better world for our industry!



## Contact us

Tel: +86-755-8981 8866 Fax: +86-755-8427 6832

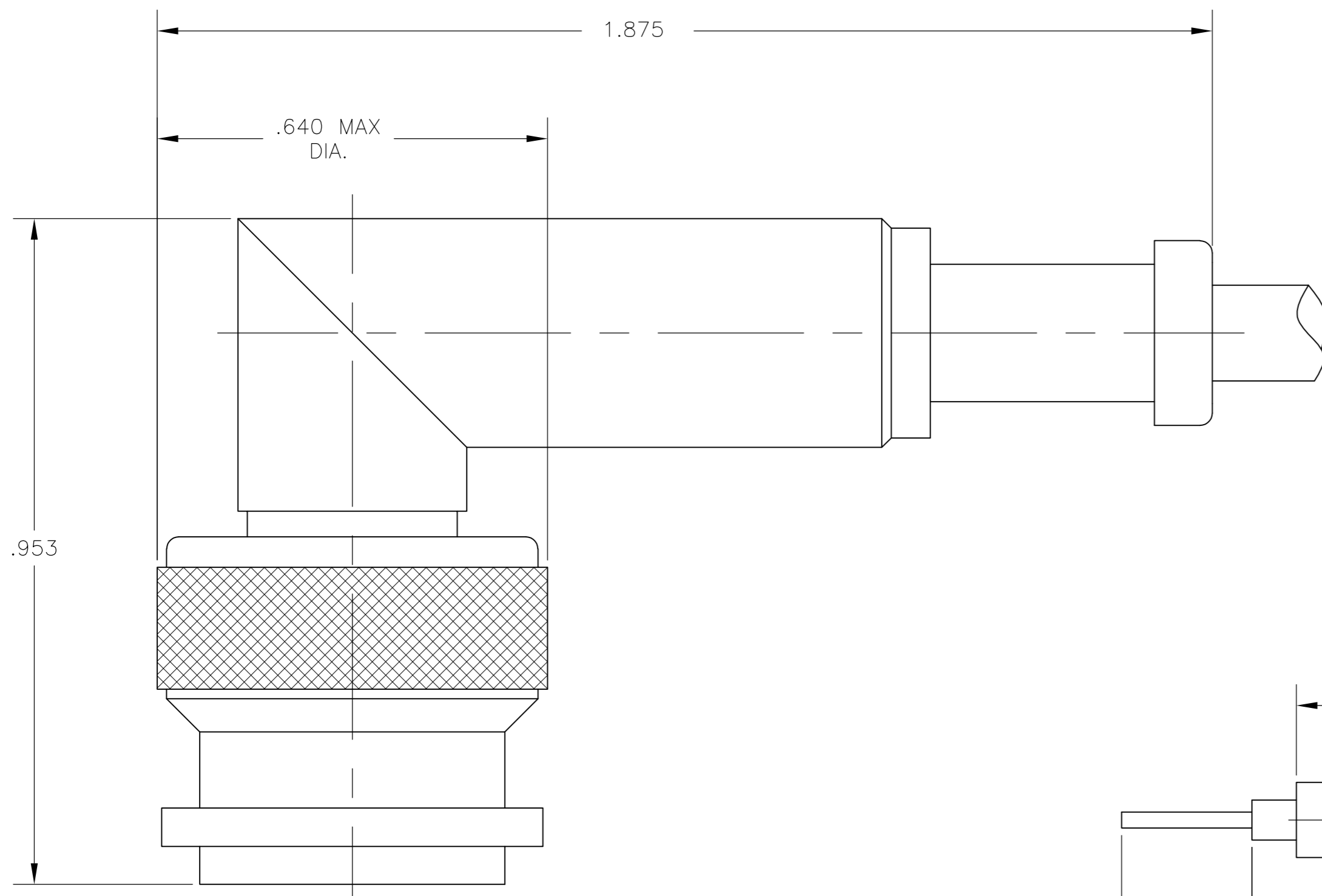
Email & Skype: info@chipsmall.com Web: www.chipsmall.com

Address: A1208, Overseas Decoration Building, #122 Zhenhua RD., Futian, Shenzhen, China

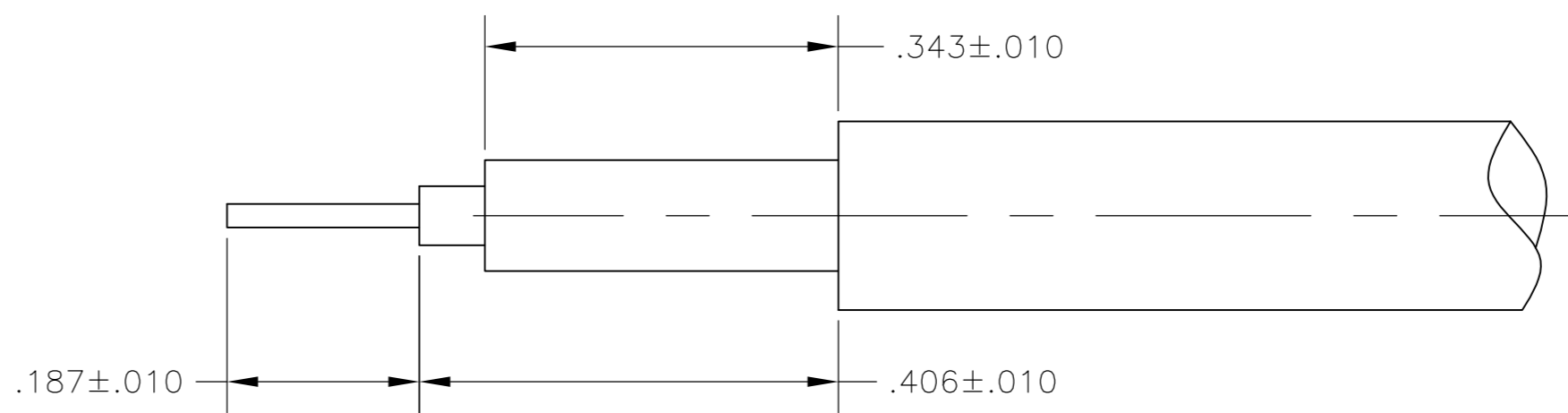


THIS DRAWING IS UNPUBLISHED. RELEASED FOR PUBLICATION  
 © COPYRIGHT - By - ALL RIGHTS RESERVED.

LOC	DIST	REVISIONS			
P	LTR	DESCRIPTION	DATE	DWN	APVD
HC	00	A1	REVISED PER ECO-11-005030	11MAR11	RK HMR



ASSEMBLED VIEW



RECOMMENDED STRIP LENGTH

1. I.S.: 2299-5.
2. FOR USE WITH CABLE SIZE: RG-58A/U & 58C/U.
3. HAND TOOL NO.: 220045-2.

1	225592-1	SEAL	4
1	9-225560-1	FERRULE	3
1	225471-1	CONTACT	2
1	5-225518-0	PLUG ASSEMBLY	1
-2 QTY.	PART NUMBER	DESCRIPTION	ITEM #

THIS DRAWING IS A CONTROLLED DOCUMENT.		DWN J. POLIGNONE 12-14-04																					
DIMENSIONS: INCHES		CHK J. LIPPERT 12-14-04																					
TOLERANCES UNLESS OTHERWISE SPECIFIED:		APVD J. LIPPERT 12-14-04																					
<table border="1"> <tr><td>0 PLC</td><td>±</td><td>-</td></tr> <tr><td>1 PLC</td><td>±</td><td>-</td></tr> <tr><td>2 PLC</td><td>±</td><td>-</td></tr> <tr><td>3 PLC</td><td>±</td><td>-</td></tr> <tr><td>4 PLC</td><td>±</td><td>-</td></tr> <tr><td>ANGLES</td><td>±</td><td>-</td></tr> <tr><td>FINISH</td><td>-</td><td>-</td></tr> </table>		0 PLC			±	-	1 PLC	±	-	2 PLC	±	-	3 PLC	±	-	4 PLC	±	-	ANGLES	±	-	FINISH	-
0 PLC	±	-																					
1 PLC	±	-																					
2 PLC	±	-																					
3 PLC	±	-																					
4 PLC	±	-																					
ANGLES	±	-																					
FINISH	-	-																					
MATERIAL	FINISH	WEIGHT -	SIZE A2	CAGE CODE 00779	DRAWING NO. C-225559-2	RESTRICTED TO -																	
CUSTOMER DRAWING			SCALE 6:1	SHEET 1 of 1	REV A1																		