



Chipsmall Limited consists of a professional team with an average of over 10 year of expertise in the distribution of electronic components. Based in Hongkong, we have already established firm and mutual-benefit business relationships with customers from,Europe,America and south Asia,supplying obsolete and hard-to-find components to meet their specific needs.

With the principle of “Quality Parts,Customers Priority,Honest Operation,and Considerate Service”,our business mainly focus on the distribution of electronic components. Line cards we deal with include Microchip,ALPS,ROHM,Xilinx,Pulse,ON,Everlight and Freescale. Main products comprise IC,Modules,Potentiometer,IC Socket,Relay,Connector.Our parts cover such applications as commercial,industrial, and automotives areas.

We are looking forward to setting up business relationship with you and hope to provide you with the best service and solution. Let us make a better world for our industry!



## Contact us

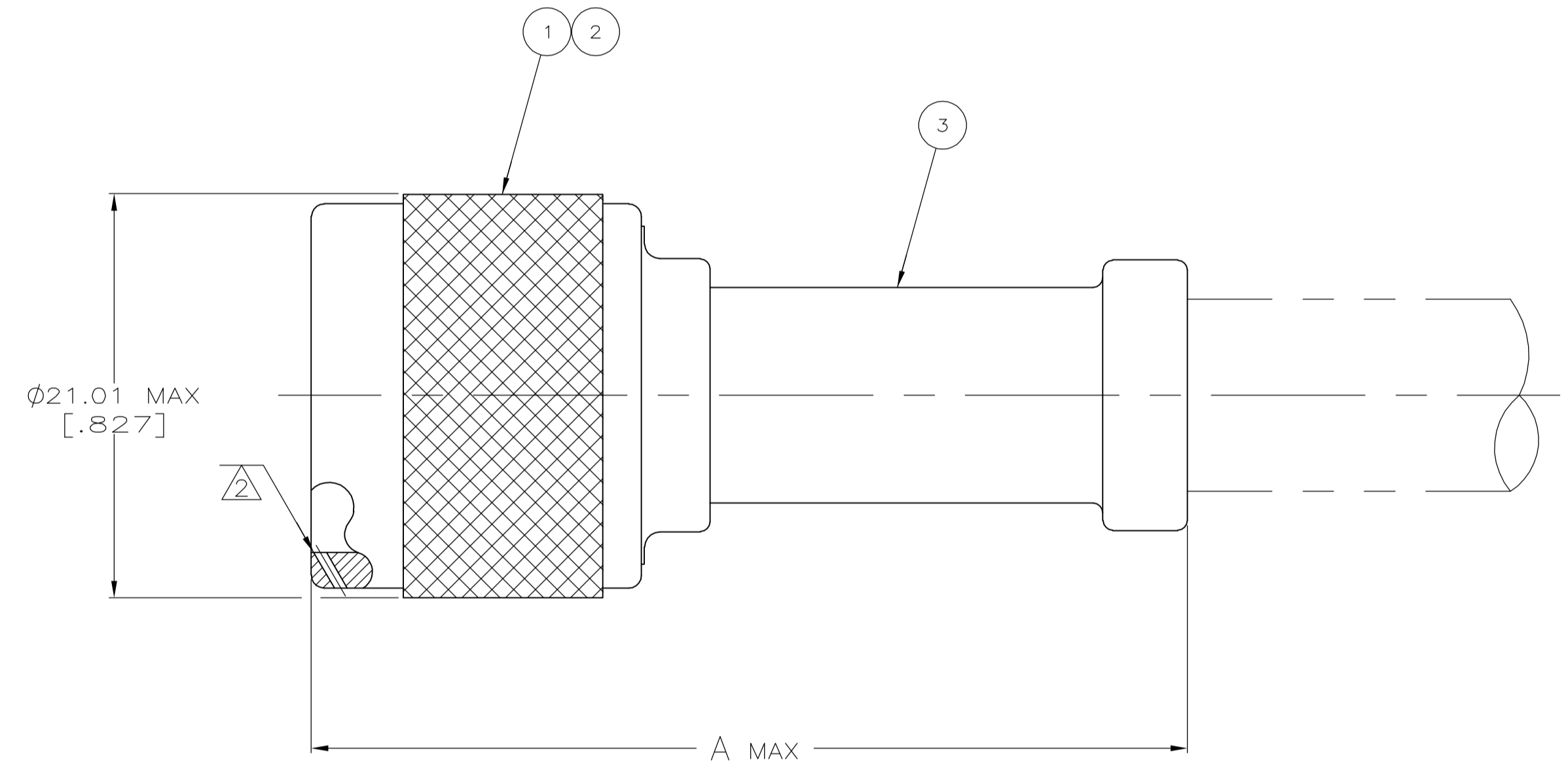
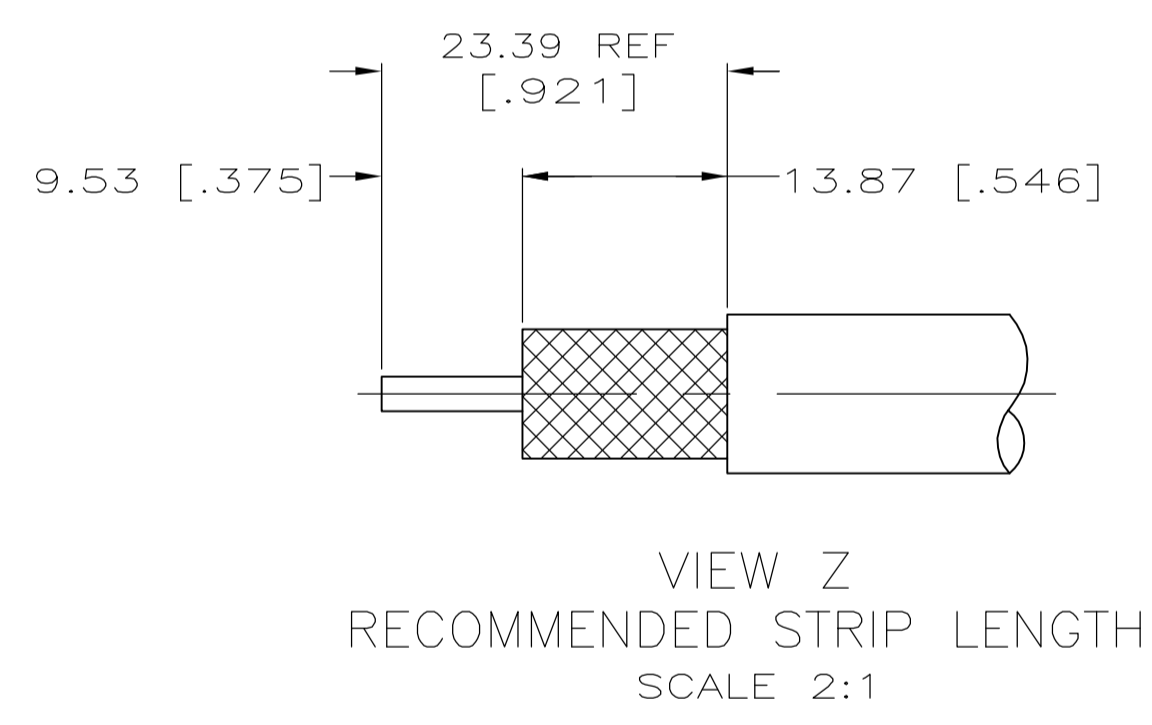
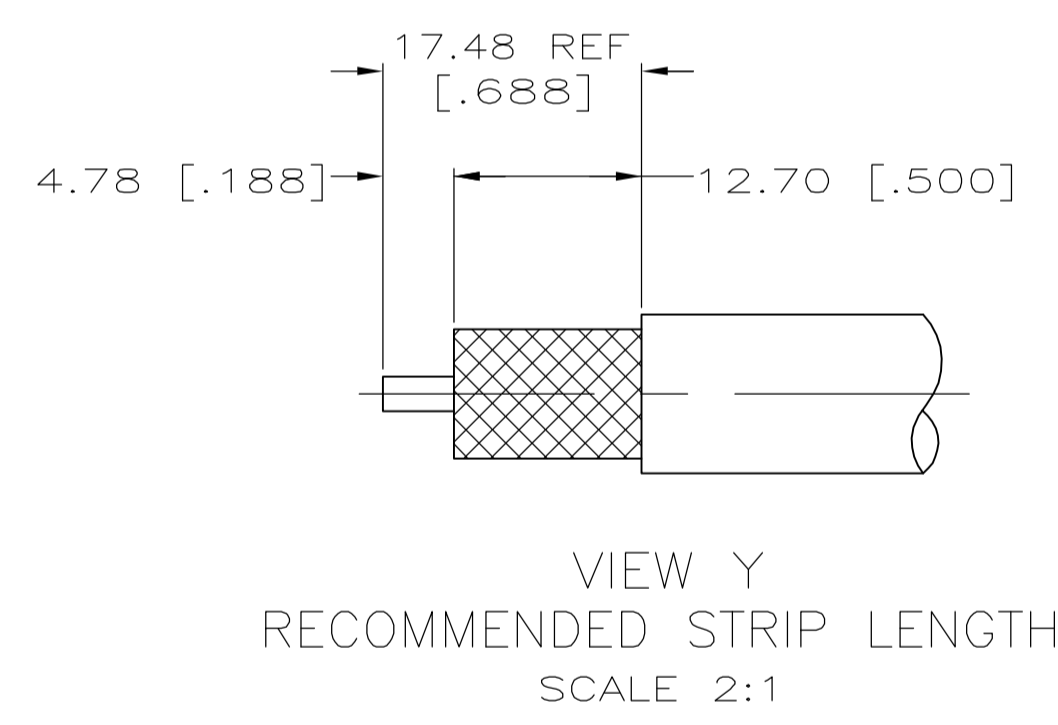
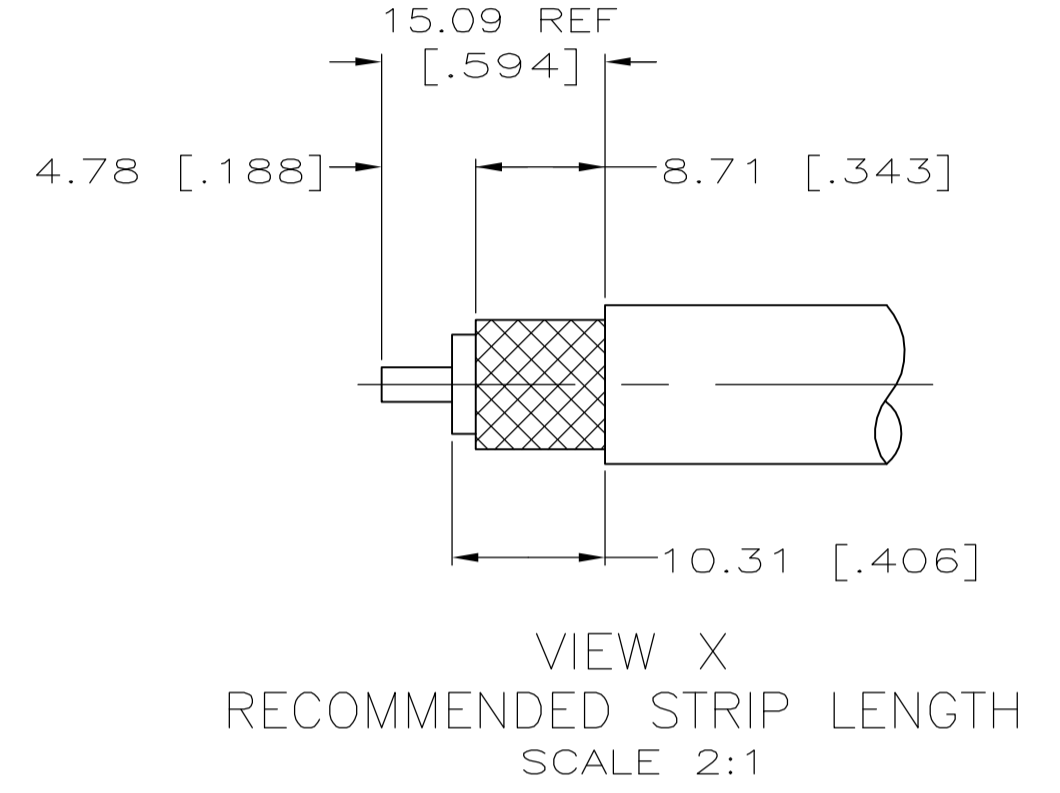
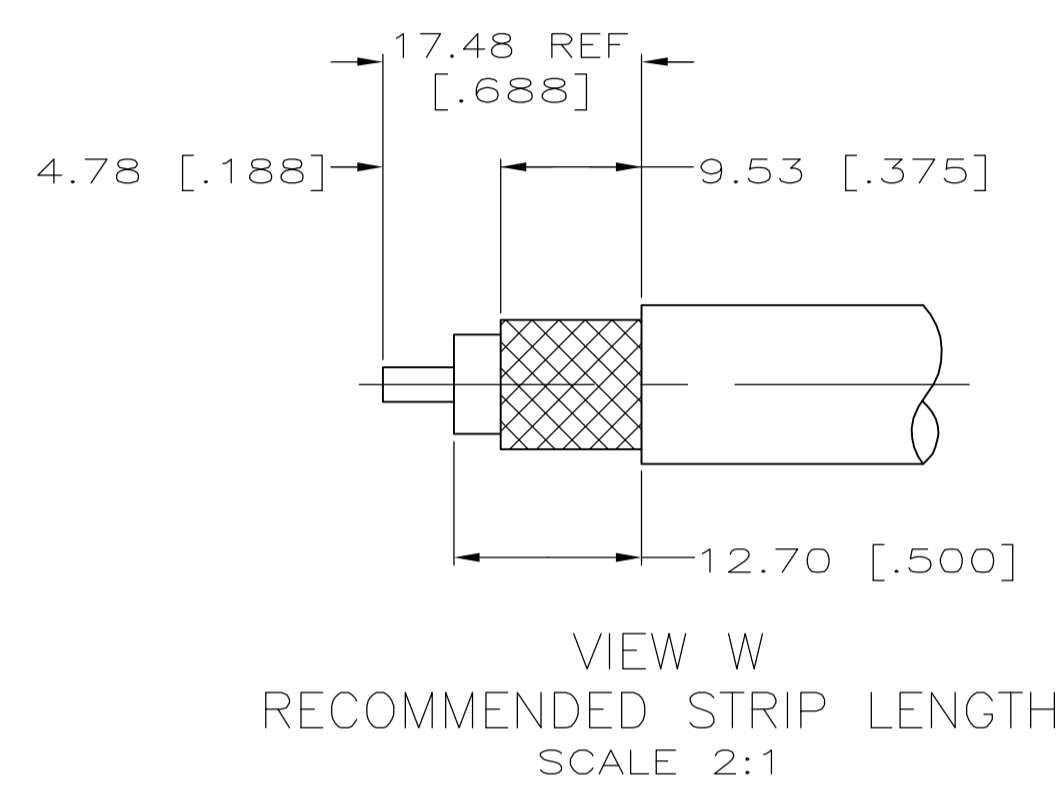
Tel: +86-755-8981 8866 Fax: +86-755-8427 6832

Email & Skype: info@chipsmall.com Web: www.chipsmall.com

Address: A1208, Overseas Decoration Building, #122 Zhenhua RD., Futian, Shenzhen, China



- PARTS PACKAGED UNASSEMBLED
- THREE SAFTEY WIRE HOLES  $\phi 0.61$  [.024] MINIMUM, EQUALLY SPACED AROUND CIRCUMFERENCE
- BELDEN 9292 (WITH 95% BRAID COVERAGE)
- SEE I.S. 2028-1



	BRAND REX T-13485	2-225662-2 AMP	220015-1	47.22 [1.859]	W	2-331987-0	2-51695-9	225081-3	2-225662-2
OBSOLETE	ITT,NAB-61S-BAA	2-225662-0 AMP	220015-1	47.22 [1.859]	W	1-331987-5	2-51695-9	225081-3	2-225662-0
	$\Delta$	1-225662-8 AMP	220015-1	47.22 [1.859]	W	1-331987-5	2-51695-6	225081-3	1-225662-8
OBSOLETE	RG-226/U MODIFIED	1-225662-7 AMP	220065-1	61.11 [2.406]	Z	225801-2	225788-2	225776-2	1-225662-7
	RG-141/U & 141A/U	1-225662-4 AMP	220045-2	42.85 [1.687]	X	225560-8	225343-4	225412-6	1-225662-4
SUPERSEDED BY 225392-1	RG-55A/U & 223/U	1-225662-3 AMP	220045-2	42.85 [1.687]	X	225560-7	225343-2	225412-3	1-225662-3
SUPERSEDED BY 225392-7	RG-58A/U & 58C/U	1-225662-2 AMP	220045-2	42.85 [1.687]	X	225560-8	225343-2	225412-6	1-225662-2
	RG-393/U	1-225662-1 AMP	220015-1	47.22 [1.859]	Y	225490-5	2-51695-3	225081-3	1-225662-1
OBSOLETE	RG-11A/U & 144/U	225662-4 AMP	220015-1	47.22 [1.859]	W	1-331987-5	2-51695-2	225081-3	225662-4
OBSOLETE	RG-213/U	225662-2 AMP	220015-1	47.22 [1.859]	W	1-331987-5	2-51695-1	225081-3	225662-2
	RG-9/U,9A/U,9B/U & 214/U	225662-1 AMP	220015-1	47.22 [1.859]	Y	1-331987-4	2-51695-1	225081-3	225662-1
	CABLE SIZE	STAMPING	CRIMP TOOL	A	VIEW $\Delta$	FERRULE QTY=1	$\Delta$ CONTACT QTY=1	$\Delta$ PLUG ASSY QTY=1	PART NUMBER

THIS DRAWING IS A CONTROLLED DOCUMENT.

DIMENSIONS: INCHES	TOLERANCES UNLESS OTHERWISE SPECIFIED:	DWN: B. SCOTT 05-31-91	
0 PLC ± -	1 PLC ± -	CHK: M. SNEED 06-20-91	
2 PLC ± 0.41 [016]	3 PLC ± -	APVD: -	NAME: -
4 PLC ± -	ANGLES ± -	PRODUCT SPEC: 108-12019	PLUG, WEATHERPROOF, SERIES N
MATERIAL: -----	FINISH: -----	APPLICATION SPEC: -	SIZE: -
		WEIGHT: 1.3 OZ MAX	RESTRICTED TO: -
		A1 00779 ©=225662	SCALE: 4:1 SHEET 1 OF 1 REV J1