



Chipsmall Limited consists of a professional team with an average of over 10 year of expertise in the distribution of electronic components. Based in Hongkong, we have already established firm and mutual-benefit business relationships with customers from,Europe,America and south Asia,supplying obsolete and hard-to-find components to meet their specific needs.

With the principle of “Quality Parts,Customers Priority,Honest Operation,and Considerate Service”,our business mainly focus on the distribution of electronic components. Line cards we deal with include Microchip,ALPS,ROHM,Xilinx,Pulse,ON,Everlight and Freescale. Main products comprise IC,Modules,Potentiometer,IC Socket,Relay,Connector.Our parts cover such applications as commercial,industrial, and automotives areas.

We are looking forward to setting up business relationship with you and hope to provide you with the best service and solution. Let us make a better world for our industry!



Contact us

Tel: +86-755-8981 8866 Fax: +86-755-8427 6832

Email & Skype: info@chipsmall.com Web: www.chipsmall.com

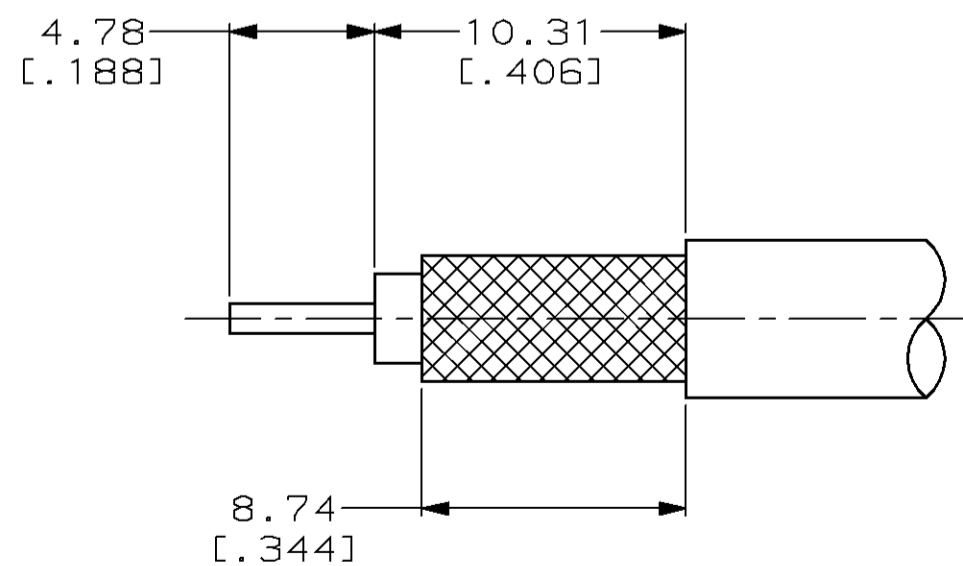
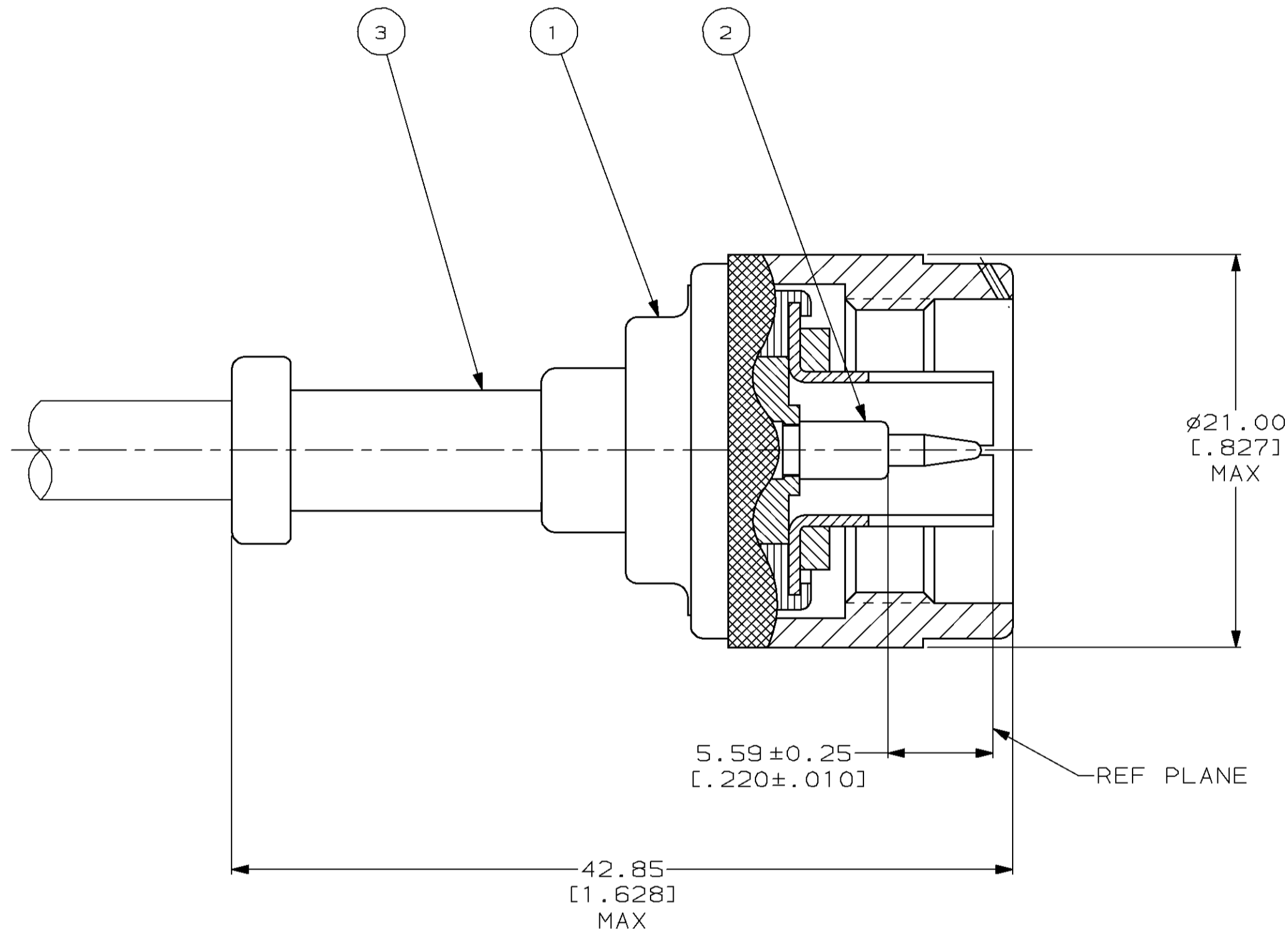
Address: A1208, Overseas Decoration Building, #122 Zhenhua RD., Futian, Shenzhen, China



THIS DRAWING IS UNPUBLISHED. RELEASED FOR PUBLICATION
 © COPYRIGHT 19 BY AMP INCORPORATED. ALL RIGHTS RESERVED.

LOC		DIST		REVISIONS			
P	LTR	DESCRIPTION	DATE	DWN	APVD		
AJ	16	0	REDRAWN & REVISED PER 0503-0694-97	12NOV97	BM SB		

1. PARTS PACKAGED UNASSEMBLED.
2. FOR USE WITH RG-142/U, -142A/U, & -142B/U CABLE.
3. USE HAND TOOL PART NUMBER 220045-2 TO CRIMP.
4. SEE INSTRUCTION SHEET 2028-1 FOR CRIMPING INSTRUCTIONS.



RECOMMENDED STRIP LENGTHS

225560-7	225343-4	225412-3	225699-1
③ FERRULE QTY=1	② CONTACT QTY=1	① PLUG ASSY QTY=1	PART NUMBER

THIS DRAWING IS A CONTROLLED DOCUMENT.		DWN B. MOYER 25OCT97	AMP Incorporated Harrisburg, PA 17105-3608	
DIMENSIONS: mm [INCHES]		CHK S. BURKHOLDER 12NOV97	NAME S. BURKHOLDER 12NOV97	
TOLERANCES UNLESS OTHERWISE SPECIFIED:		APVD S. BURKHOLDER 12NOV97	PRODUCT SPEC	
0 PLC ±-		APPLICATION SPEC		
1 PLC ±-		WEIGHT		
2 PLC ±0.41 [0.016]		SIZE A2		
3 PLC ±-		CAGE CODE 00779		
4 PLC ±-		DRAWING NO C-225699		
ANGLES ±-		RESTRICTED TO		
FINISH -		SCALE 4:1		
MATERIAL -		SHEET 1 OF 1		
CUSTOMER DRAWING		REV A		