



Chipsmall Limited consists of a professional team with an average of over 10 year of expertise in the distribution of electronic components. Based in Hongkong, we have already established firm and mutual-benefit business relationships with customers from,Europe,America and south Asia,supplying obsolete and hard-to-find components to meet their specific needs.

With the principle of “Quality Parts,Customers Priority,Honest Operation,and Considerate Service”,our business mainly focus on the distribution of electronic components. Line cards we deal with include Microchip,ALPS,ROHM,Xilinx,Pulse,ON,Everlight and Freescale. Main products comprise IC,Modules,Potentiometer,IC Socket,Relay,Connector.Our parts cover such applications as commercial,industrial, and automotives areas.

We are looking forward to setting up business relationship with you and hope to provide you with the best service and solution. Let us make a better world for our industry!



Contact us

Tel: +86-755-8981 8866 Fax: +86-755-8427 6832

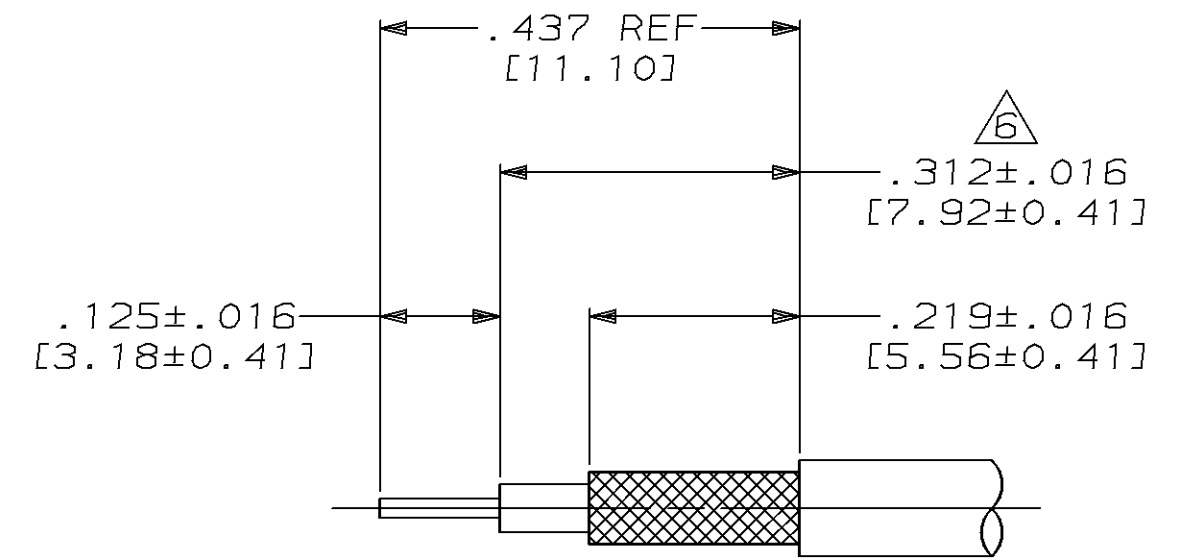
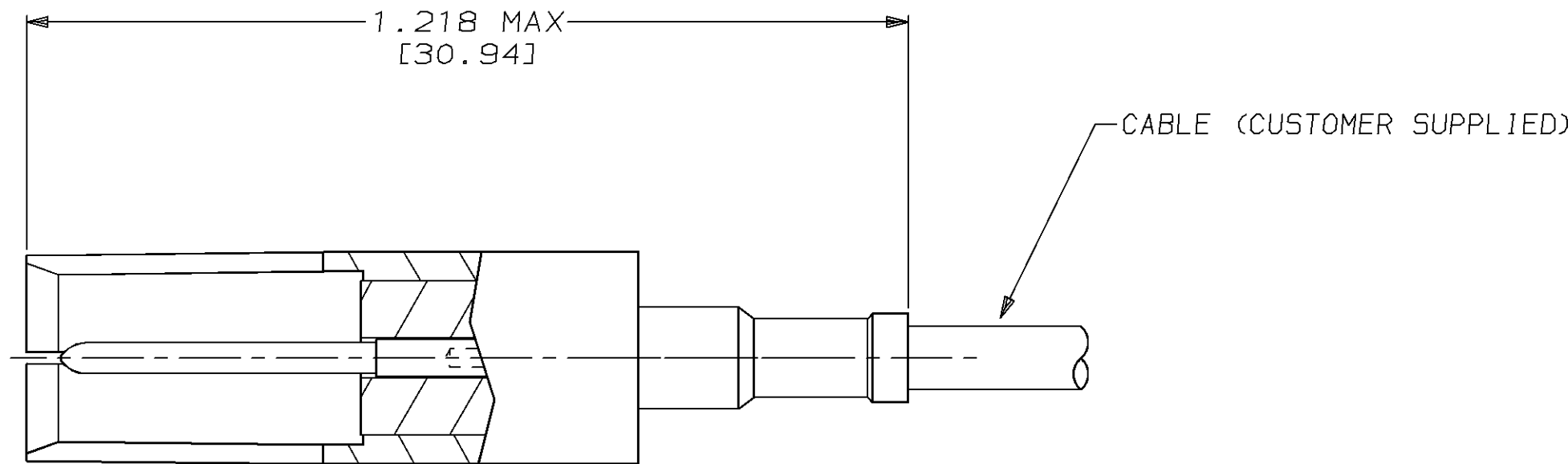
Email & Skype: info@chipsmall.com Web: www.chipsmall.com

Address: A1208, Overseas Decoration Building, #122 Zhenhua RD., Futian, Shenzhen, China

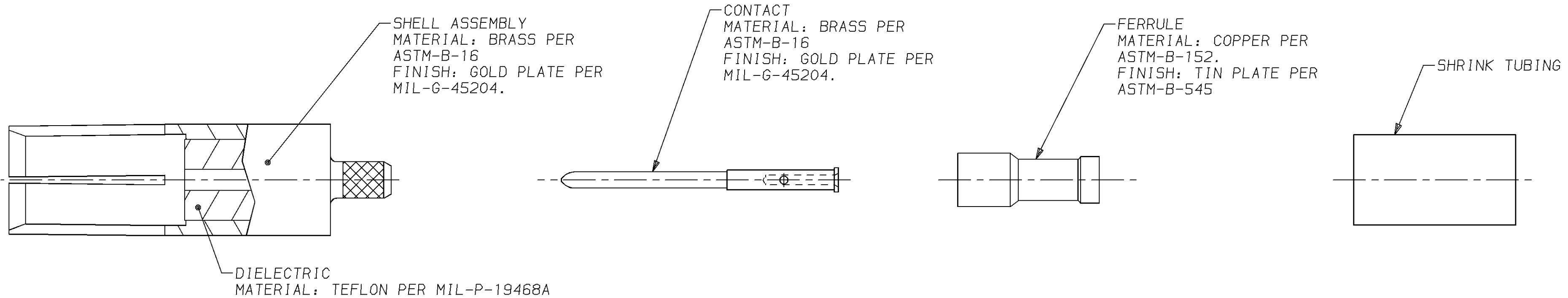


REVISIONS									
PROD CODE	LOC	DIST	P	F	ZONE	LTR	DESCRIPTION	DATE	APPD
3321	DF	XO				F	REV & REDRAWN; 0600-1413-93 CT	9-94	JC

ASSEMBLED VIEW



RECOMMENDED STRIP LENGTH
SCALE: N.T.S.



- FOR USE WITH RG-178/U & 196/U.
- FERRULE CRIMPING TOOL: AMP TOOL #220020-1.
- CONTACT CRIMPING TOOL: M22520/2-01 OR AMP TOOL NUMBER 1-601966-6, SETTING NUMBER 5. DANIELS POSITIONER PART NO. K345 OR AMP TOOL NO. 1-601966-6.
- SEE I.S.2348.
- DANIELS MANUFACTURING CORP
2266 FRANKLIN ROAD
BLOOMFIELD HILLS, MI 48013
- △ OUTER JACKET OF CABLE MUST BE TRIMMED TO ALLOW PROPER INTER-PIN CONTACT LOCATION AFTER FERRULE CRIMP OPERATION.
- PARTS SHIPPED UNASSEMBLED AND CABLE IS SUPPLIED BY CUSTOMER.

THIS DRAWING IS A CONTROLLED DOCUMENT FOR AMP INCORPORATED. IT IS SUBJECT TO CHANGE AND THE CONTROLLING ENGINEERING ORGANIZATION SHOULD BE CONTACTED FOR THE LATEST REVISION.

DO NOT SCALE PRINT. UNLESS SPECIFIED DIMENSIONS IN INCHES [mm]
 TOLERANCES ON:
 2 PLC DEC ± -
 3 PLC DEC ± -
 ANGLES ± -
 MATERIAL SEE CALLOUTS
 FINISH SEE CALLOUTS

DR 9-12-94
C.C. THOMAS
 CHK 9-23-94
J. CABARLO
 APPD 9-23-94
J. CABARLO
 APPD 9-23-94
C.C. THOMAS
 PRODUCT SPEC -
 APPLICATION SPEC -
 WEIGHT -

AMP Incorporated Harrisburg, PA 17105-3608		
SIZE C	CAGE CODE 00779	DRAWING NO G=225791-5
SCALE 5:1	SHEET 1 OF 1	

225791-5
PART NO.