



Chipsmall Limited consists of a professional team with an average of over 10 year of expertise in the distribution of electronic components. Based in Hongkong, we have already established firm and mutual-benefit business relationships with customers from,Europe,America and south Asia,supplying obsolete and hard-to-find components to meet their specific needs.

With the principle of “Quality Parts,Customers Priority,Honest Operation,and Considerate Service”,our business mainly focus on the distribution of electronic components. Line cards we deal with include Microchip,ALPS,ROHM,Xilinx,Pulse,ON,Everlight and Freescale. Main products comprise IC,Modules,Potentiometer,IC Socket,Relay,Connector.Our parts cover such applications as commercial,industrial, and automotives areas.

We are looking forward to setting up business relationship with you and hope to provide you with the best service and solution. Let us make a better world for our industry!



Contact us

Tel: +86-755-8981 8866 Fax: +86-755-8427 6832

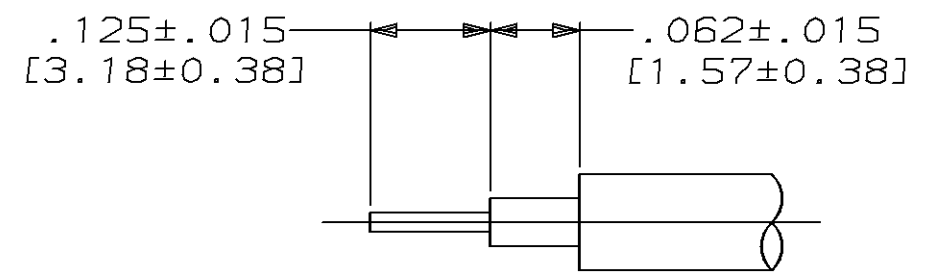
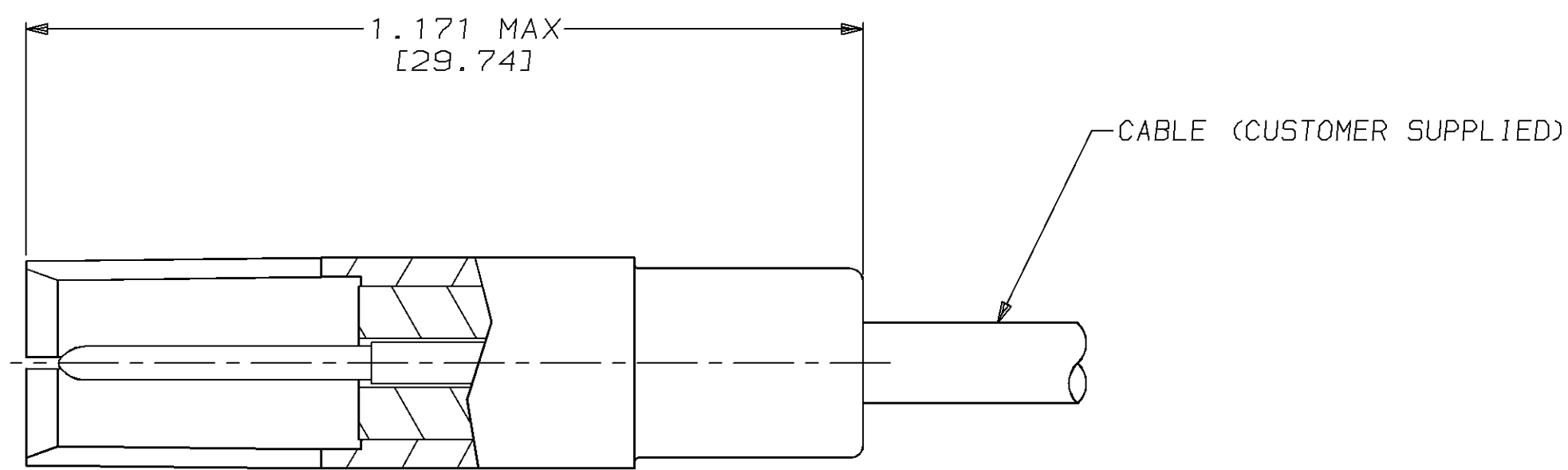
Email & Skype: info@chipsmall.com Web: www.chipsmall.com

Address: A1208, Overseas Decoration Building, #122 Zhenhua RD., Futian, Shenzhen, China

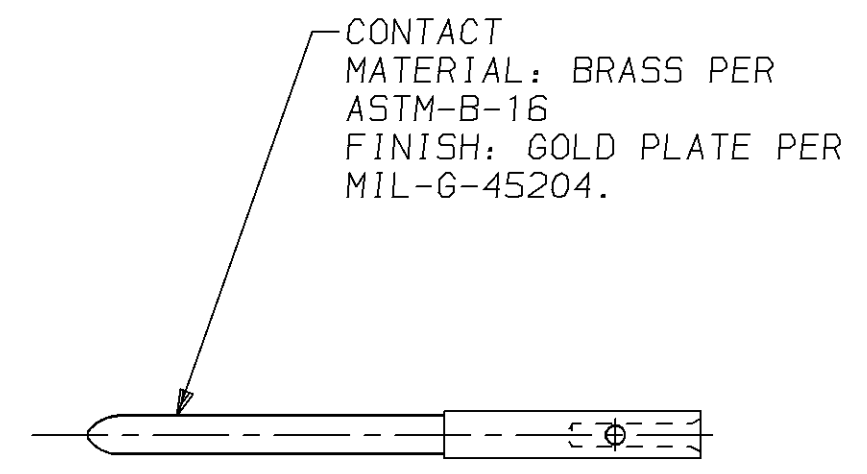
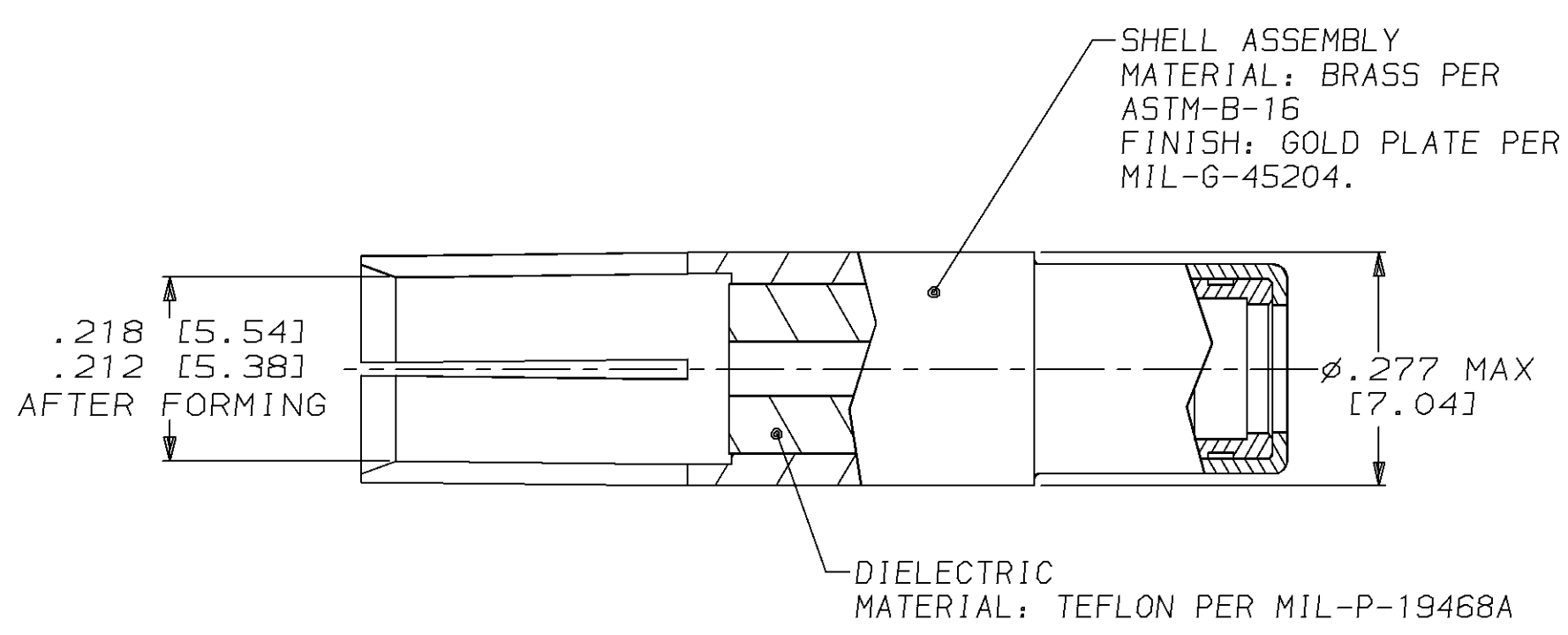


PROD		LOC	DIST	REVISIONS				DATE	APPD	
CODE				P	F	ZONE	LTR	DESCRIPTION		
3321		DF	XO				F	REV & REDRAWN; 0600-1969-94 CT	2-95	JD

ASSEMBLED VIEW



RECOMMENDED STRIP LENGTH
SCALE: N.T.S.



- FOR USE WITH .141 SEMI-RIGID CABLE.
- FERRULE CRIMPING TOOL: AMP TOOL NO. 220066-2 CRIMP B.
- CONTACT CRIMPING TOOL: AMP TOOL NO. 220066-2.
- SEE I.S.2348.
- PARTS SHIPPED UNASSEMBLED AND CABLE IS SUPPLIED BY CUSTOMER.

THIS DRAWING IS A CONTROLLED DOCUMENT FOR AMP INCORPORATED. IT IS SUBJECT TO CHANGE AND THE CONTROLLING ENGINEERING ORGANIZATION SHOULD BE CONTACTED FOR THE LATEST REVISION.

DO NOT SCALE PRINT. UNLESS SPECIFIED DIMENSIONS IN INCHES [mm] TOLERANCES ON : 2 PLC DEC ± - 3 PLC DEC ± - ANGLES ± -	DR 2-1-95 C.C. THOMAS	AMP Incorporated Harrisburg, PA 17105-3608	
	CHK 2-2-95 J. DUNBAR		
MATERIAL SEE CALLOUTS	APPD 2-2-95 J. DUNBAR	NAME CONNECTOR, COAXIAL, RF SOCKET SIZE 5, ARINC	
	APPD 2-2-95 C.C. THOMAS	SIZE C	CAGE CODE 00779
FINISH SEE CALLOUTS	PRODUCT SPEC -	DRAWING NO G=225791-6	SHEET 1 OF 1
	APPLICATION SPEC -	SCALE 5:1	
WEIGHT -		PART NO. 225791-6	