



Chipsmall Limited consists of a professional team with an average of over 10 year of expertise in the distribution of electronic components. Based in Hongkong, we have already established firm and mutual-benefit business relationships with customers from,Europe,America and south Asia,supplying obsolete and hard-to-find components to meet their specific needs.

With the principle of "Quality Parts,Customers Priority,Honest Operation,and Considerate Service",our business mainly focus on the distribution of electronic components. Line cards we deal with include Microchip,ALPS,ROHM,Xilinx,Pulse,ON,Everlight and Freescale. Main products comprise IC,Modules,Potentiometer,IC Socket,Relay,Connector.Our parts cover such applications as commercial,industrial, and automotives areas.

We are looking forward to setting up business relationship with you and hope to provide you with the best service and solution. Let us make a better world for our industry!



Contact us

Tel: +86-755-8981 8866 Fax: +86-755-8427 6832

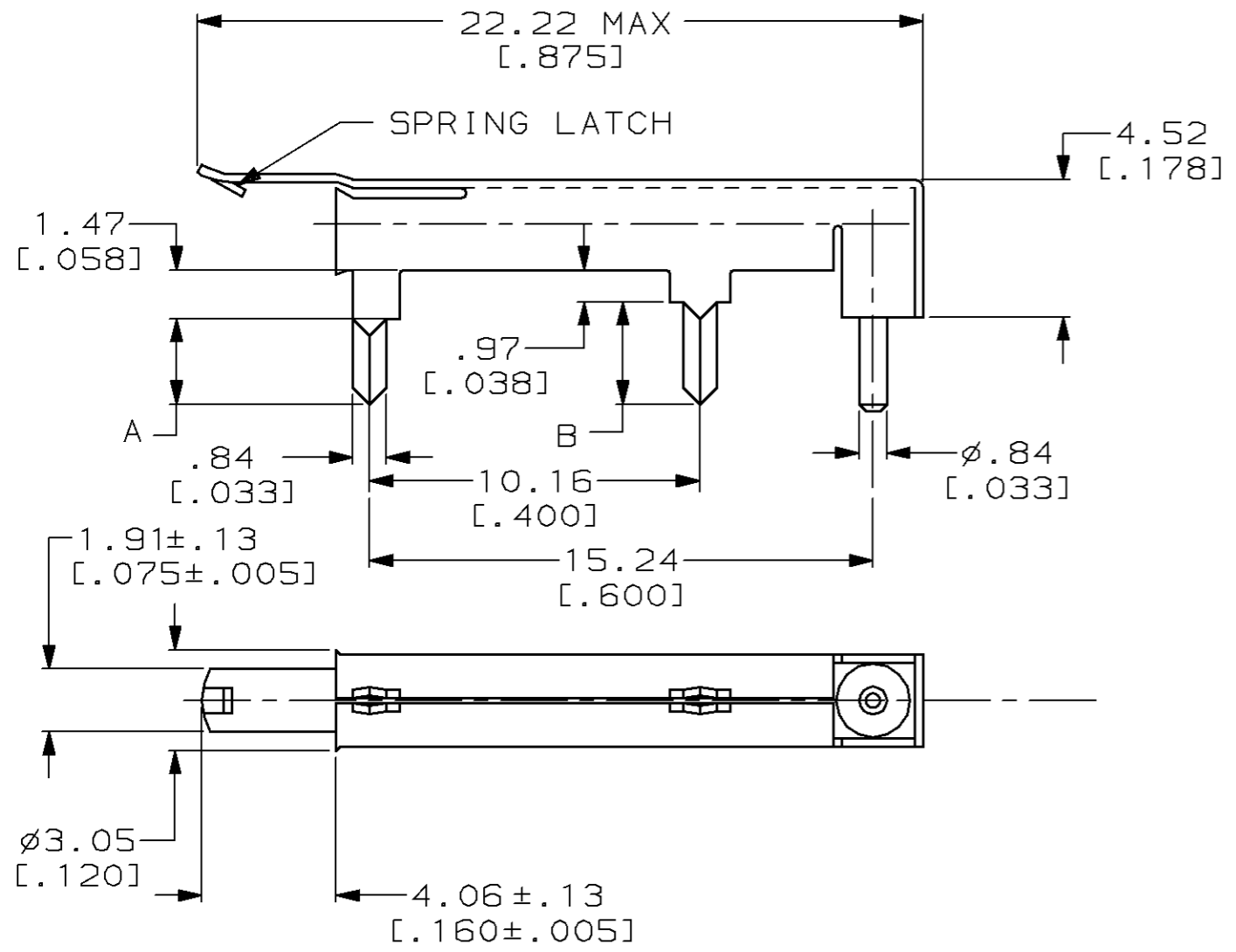
Email & Skype: info@chipsmall.com Web: www.chipsmall.com

Address: A1208, Overseas Decoration Building, #122 Zhenhua RD., Futian, Shenzhen, China

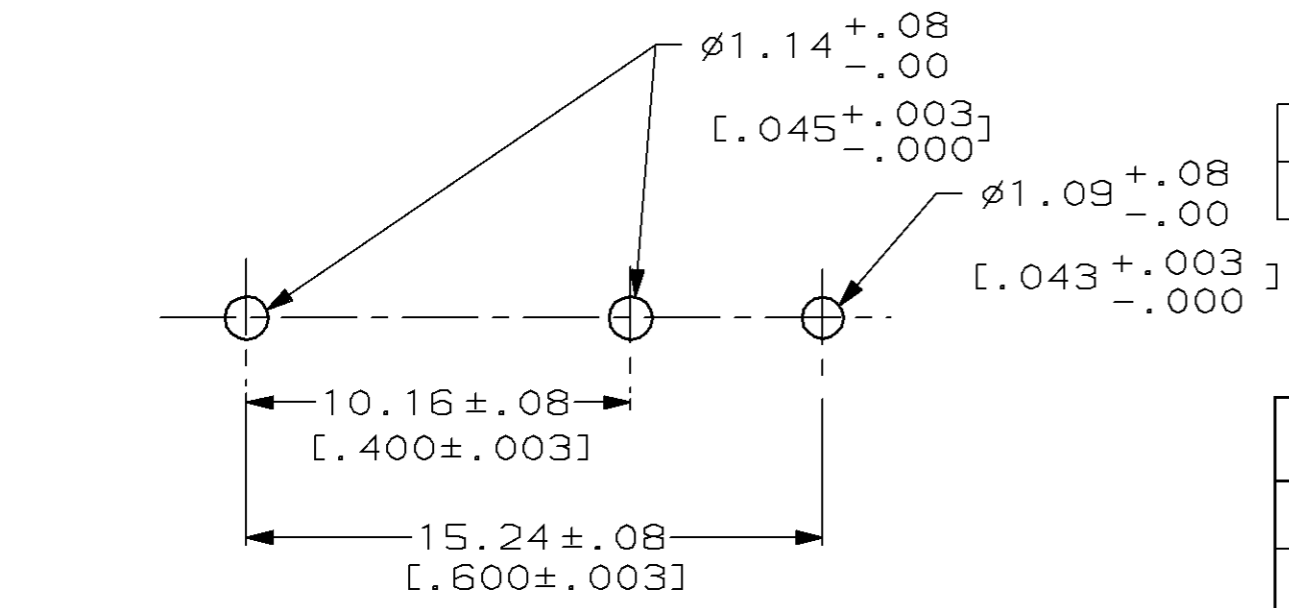


THIS DRAWING IS UNPUBLISHED. RELEASED FOR PUBLICATION, 19 .
 © COPYRIGHT 19 BY AMP INCORPORATED. ALL RIGHTS RESERVED.

LOC	DIST	REVISIONS			
P	LTR	DESCRIPTION	DATE	DWN	APVD
AJ	16	J	OBS -2,-3 PER 0220-0615-94	5/DEC/94	JD JM



- DO NOT INSERT THE MATING CONTACT UNTIL THE PCB CONTACT IS SOLDERED TO BOARD
- BRASS PER MIL-C-50
- BRONZE PER ASTM-B-140
- POLYESTER THERMOPLASTIC, GENERAL PURPOSE
- GOLD PL PER MIL-G-45204
- COPPER PL PER MIL-C-14550
- BRIGHT TIN LEAD PL PER ASTM-B-545
- FOR USE WITH SHORT SUBMINIATURE PIN ASSY



RECOMMENDED MOUNTING DIMENSIONS

OBSOLETE	1.57 [0.062]	5 6 7	3.05 [0.120]	2.54 [0.100]	226023-3
OBSOLETE	3.17 [0.125]	5 6	4.49 [0.177]	3.99 [0.157]	226023-2
	1.57 [0.062]	5 6	3.05 [0.120]	2.54 [0.100]	226023-1
BOARD THK	FINISH	B DIM	A DIM	PART NUMBER	

THIS DRAWING IS A CONTROLLED DOCUMENT FOR AMP INCORPORATED. IT IS SUBJECT TO CHANGE AND THE CONTROLLING ENGINEERING ORGANIZATION SHOULD BE CONTACTED FOR THE LATEST REVISION.		DWN J.DAVIS 5/DEC/94	AMP AMP Incorporated Harrisburg, PA 17105-3608
DIMENSIONS: mm [INCHES]		CHK J.McLEOD 5/DEC/94	
TOLERANCES UNLESS OTHERWISE SPECIFIED: 0 PLC ±- 1 PLC ±- 2 PLC ±.020 [0.008] 3 PLC ±- 4 PLC ±- ANGLES ±- FINISH		APVD J.McLEOD 5/DEC/94	NAME SUBMIN COAX PRINTED CIRCUIT BOARD CONTACT
MATERIAL 2 3 4		PRODUCT SPEC -	SIZE A3
SEE TABLE		APPLICATION SPEC -	CAGE CODE 00779
		WEIGHT .45 g [0.016 oz]	DRAWING NO C-226023
		CUSTOMER DRAWING	SCALE NTS
			SHEET 1 OF 1
			REV J