



Chipsmall Limited consists of a professional team with an average of over 10 year of expertise in the distribution of electronic components. Based in Hongkong, we have already established firm and mutual-benefit business relationships with customers from,Europe,America and south Asia,supplying obsolete and hard-to-find components to meet their specific needs.

With the principle of “Quality Parts,Customers Priority,Honest Operation,and Considerate Service”,our business mainly focus on the distribution of electronic components. Line cards we deal with include Microchip,ALPS,ROHM,Xilinx,Pulse,ON,Everlight and Freescale. Main products comprise IC,Modules,Potentiometer,IC Socket,Relay,Connector.Our parts cover such applications as commercial,industrial, and automotives areas.

We are looking forward to setting up business relationship with you and hope to provide you with the best service and solution. Let us make a better world for our industry!



Contact us

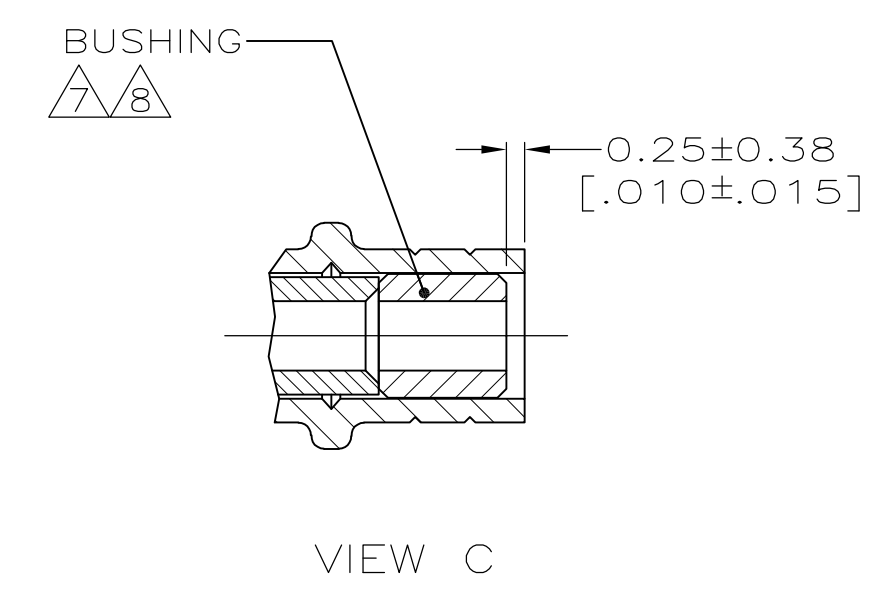
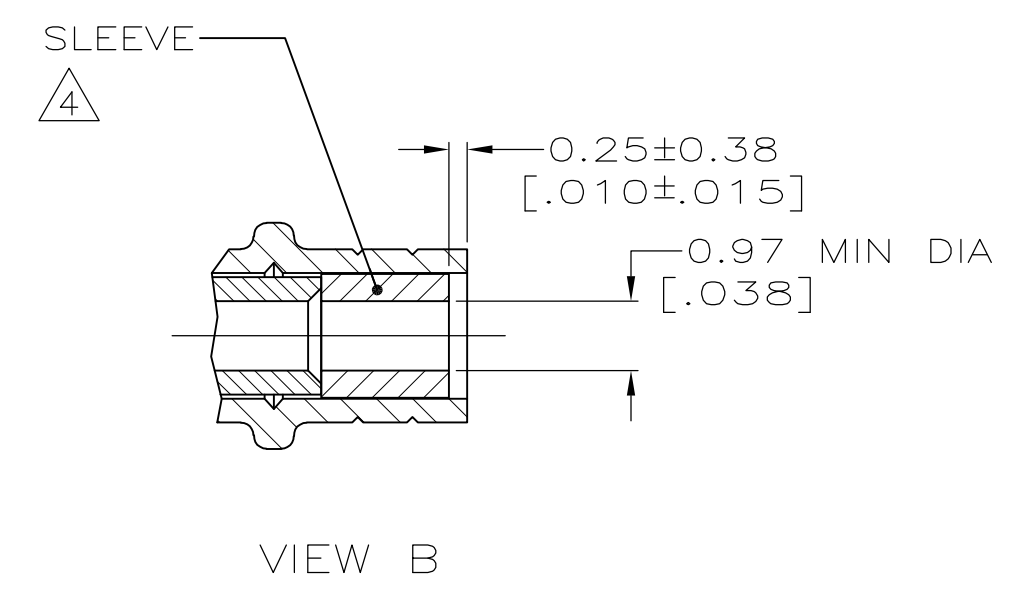
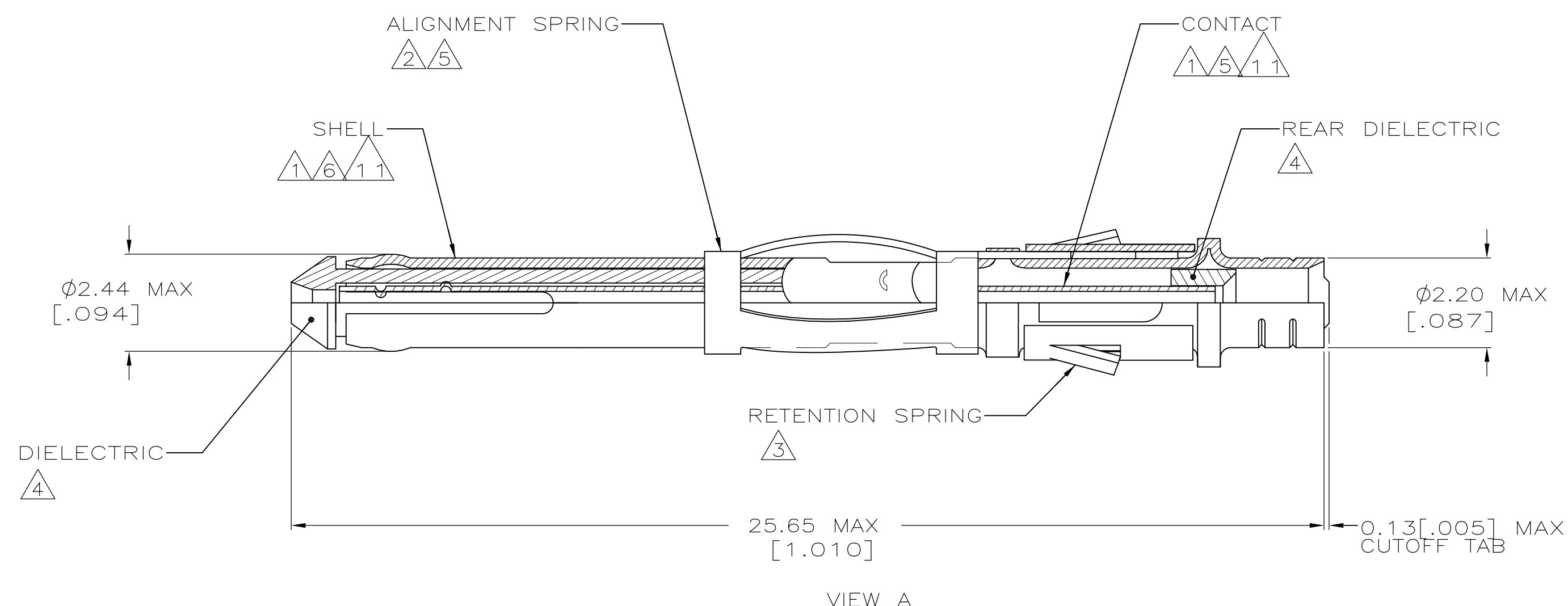
Tel: +86-755-8981 8866 Fax: +86-755-8427 6832

Email & Skype: info@chipsmall.com Web: www.chipsmall.com

Address: A1208, Overseas Decoration Building, #122 Zhenhua RD., Futian, Shenzhen, China



LOC	DIST	REVISIONS					
AJ	16	P	LTR	DESCRIPTION	DATE	DWN	APVD
		N1		REVISED PER ECO-11-005030	11MAR11	RK	HMR



- ① GOLD PL PER MIL-G-45204,.000030 ON MATING SURFACES, FLASH ON REMAINDER
- ② NICKEL PL PER QQ-N-290
- ③ STAINLESS STEEL PER QQ-S-766
- ④ POLYPROPYLENE OR POLYMETHYLPENTENE GENERAL PURPOSE
- ⑤ BERYLLIUM COPPER PER QQ-C-533
- ⑥ BRASS PER MIL-C-50
- ⑦ BRASS PER ASTM-B-135
- ⑧ TIN PL PER MIL-T-10727
- 9. WEIGHT: .016 OZ
- 10. FOR CABLE SELECTION, FERRULE AND HANDTOOL PART NUMBERS, SEE I.S. 2024-2
- ①① GOLD PL PER MIL-G-45204,.000050 ON MATING SURFACES, FLASH ON REMAINDER

OBSOLETE	A	①②	③④⑤⑥	226537-7
OBSOLETE	C	①②⑧	③④⑤⑥⑦	226537-6
OBSOLETE	B	①②	③④⑤⑥	226537-5
	A	①②	③④⑤⑥	226537-4
	C	①②⑧	③④⑤⑥⑦	226537-3
	B	①②	③④⑤⑥	226537-2
	A	①②	③④⑤⑥	226537-1
	VIEW	FINISH	MATERIAL	PART NUMBER

THIS DRAWING IS A CONTROLLED DOCUMENT.		DWN S.D.KOHL 7-23-91	STE TE Connectivity	
DIMENSIONS: mm [INCHES]		CHK B. WERNER 8-1-91	NAME PIN ASSY, SERIES SUBMINIATURE	
TOLERANCES UNLESS OTHERWISE SPECIFIED:		APVD D. DOYF 8-1-91	PRODUCT SPEC	
0 PLC ± -	1 PLC ± -	APPLICATION SPEC		
2 PLC ± -	3 PLC ± -	SIZE CAGE CODE DRAWING NO		
4 PLC ± -	ANGLES ± -	A1 00779 C-226537		
MATERIAL SEE TABLE	FINISH SEE TABLE	WEIGHT -	SCALE 10:1	SHEET 1 OF 1 REV N1
CUSTOMER DRAWING		RESTRICTED TO		