



Chipsmall Limited consists of a professional team with an average of over 10 year of expertise in the distribution of electronic components. Based in Hongkong, we have already established firm and mutual-benefit business relationships with customers from,Europe,America and south Asia,supplying obsolete and hard-to-find components to meet their specific needs.

With the principle of “Quality Parts,Customers Priority,Honest Operation,and Considerate Service”,our business mainly focus on the distribution of electronic components. Line cards we deal with include Microchip,ALPS,ROHM,Xilinx,Pulse,ON,Everlight and Freescale. Main products comprise IC,Modules,Potentiometer,IC Socket,Relay,Connector.Our parts cover such applications as commercial,industrial, and automotives areas.

We are looking forward to setting up business relationship with you and hope to provide you with the best service and solution. Let us make a better world for our industry!



## Contact us

Tel: +86-755-8981 8866 Fax: +86-755-8427 6832

Email & Skype: info@chipsmall.com Web: www.chipsmall.com

Address: A1208, Overseas Decoration Building, #122 Zhenhua RD., Futian, Shenzhen, China



4

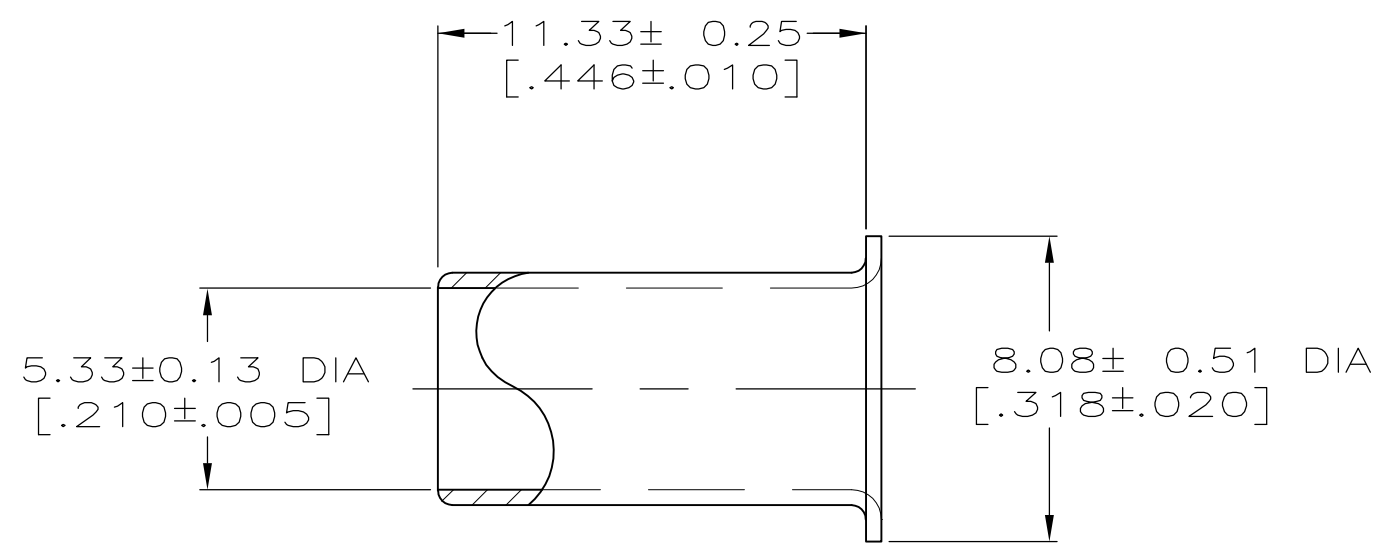
3

2

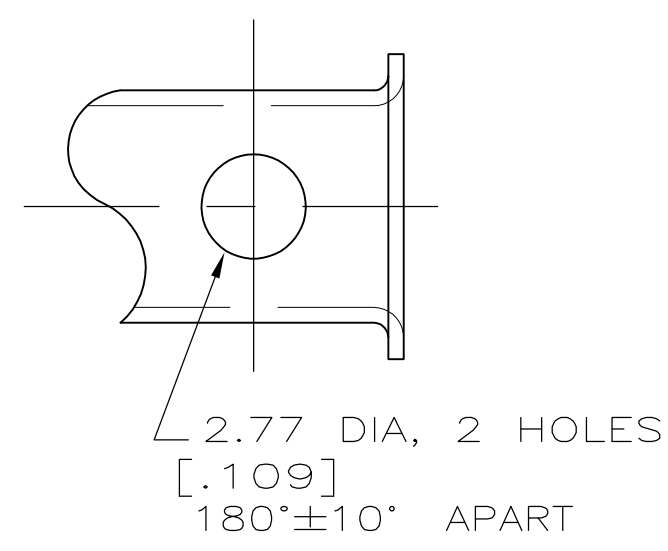
1

THIS DRAWING IS UNPUBLISHED. RELEASED FOR PUBLICATION  
 © COPYRIGHT BY TYCO ELECTRONICS CORPORATION. ALL INTERNATIONAL RIGHTS RESERVED.

LOC	DIST	REVISIONS					
		P	LTR	DESCRIPTION	DATE	DWN	APVD
AJ	16		H	REVISED PER ECO-10-008441	17JUN10	HMR	KW



VIEW X



VIEW Y  
SAME AS VIEW X EXCEPT

- ① COPPER ALLOY
- ② NICKEL PL PER QQ-N-290
- ③ TIN PL PER MIL-T-10727
- ④ BLACK CHROMATE PLATE OVER ZINC PLATE PER ASTM-B-633
- ⑤ BLACK NICKEL PLATE

VIEW	FINISH	PART NUMBER
X	④	226599-7
X	⑤	226599-6
Y	③	226599-4
X	②	226599-2

THIS DRAWING IS A CONTROLLED DOCUMENT.		DWN J. MOLL 21NOV90	Tyco Electronics Corporation Harrisburg, PA 17105-3608													
DIMENSIONS: mm [INCHES]		CHK M. SNEED 21NOV90	NAME FERRULE, MINIATURE UHF													
TOLERANCES UNLESS OTHERWISE SPECIFIED:		APVD R. HENRY 21NOV90	SIZE A3													
<table border="0"> <tr><td>0 PLC</td><td>± -</td></tr> <tr><td>1 PLC</td><td>± -</td></tr> <tr><td>2 PLC</td><td>± -</td></tr> <tr><td>3 PLC</td><td>± -</td></tr> <tr><td>4 PLC</td><td>± -</td></tr> <tr><td>ANGLES</td><td>± -</td></tr> </table>		0 PLC	± -	1 PLC	± -	2 PLC	± -	3 PLC	± -	4 PLC	± -	ANGLES	± -	PRODUCT SPEC -	CAGE CODE 00779	DRAWING NO C-226599
0 PLC	± -															
1 PLC	± -															
2 PLC	± -															
3 PLC	± -															
4 PLC	± -															
ANGLES	± -															
MATERIAL ①	FINISH SEE TABLE	APPLICATION SPEC -	RESTRICTED TO -													
		WEIGHT -	SCALE 5:1	SHEET 1 OF 1												
		CUSTOMER DRAWING	REV H													