



Chipsmall Limited consists of a professional team with an average of over 10 year of expertise in the distribution of electronic components. Based in Hongkong, we have already established firm and mutual-benefit business relationships with customers from,Europe,America and south Asia,supplying obsolete and hard-to-find components to meet their specific needs.

With the principle of "Quality Parts,Customers Priority,Honest Operation,and Considerate Service",our business mainly focus on the distribution of electronic components. Line cards we deal with include Microchip,ALPS,ROHM,Xilinx,Pulse,ON,Everlight and Freescale. Main products comprise IC,Modules,Potentiometer,IC Socket,Relay,Connector.Our parts cover such applications as commercial,industrial, and automotives areas.

We are looking forward to setting up business relationship with you and hope to provide you with the best service and solution. Let us make a better world for our industry!



Contact us

Tel: +86-755-8981 8866 Fax: +86-755-8427 6832

Email & Skype: info@chipsmall.com Web: www.chipsmall.com

Address: A1208, Overseas Decoration Building, #122 Zhenhua RD., Futian, Shenzhen, China



ATLANTIC VERSION TERMINATOR INTERFACE ADAPTER	PART NUMBER	REVISION	DESCRIPTION	FEED TYPE	APPLICATOR STYLE CONVERSION CHART						
					CONVERT TO	PART NUMBERS REQUIRED					
	2266698-1	A	FINE CRIMP HEIGHT ADJUST	MECHANICAL	PNEUMATIC FEED	2119950-1	1338685-1	5-18022-5	2119641-1	2119799-1	2063440-1
	2266698-2	A	FINE CRIMP HEIGHT ADJUST	PNEUMATIC	SERVO LATCH PLATE	2119951-1	-	8-2266698-5	1901094-3	-	2168400-6 (QUANTITY 2)
					SMART APPLICATOR	2161326-1	-	8-2266698-4	-	-	
					MECHANICAL FEED	2119949-1	1338685-1	5-18022-5	2119653-1	-	-
	2266698-5	A	FINE CRIMP HEIGHT ADJUST	SERVO LATCH PLATE ⁴	SERVO LATCH PLATE	2119951-1	-	8-2266698-5	1901094-3	-	2168400-6 (QUANTITY 2)
					SMART APPLICATOR	2161326-1	-	8-2266698-4	-	-	
					MECHANICAL FEED	2119949-1	1338685-1	5-18022-5	2119653-1	-	-
2266698-6	A	NON-CRIMP HEIGHT ADJUST	SERVO LATCH PLATE ⁴	PNEUMATIC FEED	2119950-1	1338685-1	5-18022-5	2119641-1	2119799-1	2063440-1	
				-	-	-	-	-	-	-	
2266698-7	A	FINE CRIMP HEIGHT ADJUST	NONE	-	-	-	-	-	-	-	
7-2266698-7	A	CRIMP TOOLING KIT	-	-	-	-	-	-	-	-	

APPLICATOR DATA		
CRIMP	SIZE	TYPE
WIRE	2.10 mm [.083]	F
INSUL	3.40 mm [.134]	O

APPLICATOR INSTRUCTIONS
408-10389

TERMINAL DATA: MOLEX TERMINAL		MOLEX CRIMP SPECIFICATION	
TERMINAL NAME: MALE PIN TERMINAL			
WIRE STRIP LENGTH		INSULATION DIAMETER RANGE	
4.20-5.00 mm [.165-.197 IN]		∅2.36-2.74 mm [.093-.108 IN]	
TERMINAL APPLICATION SPECIFICATION	ATS-639008300 Rev A		
TERMINALS APPLIED			
TE TERMINAL	MOLEX TERMINAL	TE TERMINAL	MOLEX TERMINAL
2113242-1	194170024	2113242-3	194170028
2113242-2	194170026	2113242-4	194170030

WIRE SIZE	CRIMP HEIGHT mm [INCH]	CRIMP HEIGHT REFERENCE SETTING
18 AWG	1.40 +/- 0.05 [0.055 +/- .002]	7.6
20 AWG	1.30 +/- 0.05 [0.051 +/- .002]	8.6
22 AWG	1.20 +/- 0.05 [0.047 +/- .002]	9.6
24 AWG	1.10 +/- 0.05 [0.043 +/- .002]	10.7

- RECOMMENDED SPARE PARTS
- GREASE BEARING SURFACES LIGHTLY
- 3. LUBRICATE DAILY PER THE APPLICATOR INSTRUCTION SHEET SUPPLIED WITH THE APPLICATOR.
- APPLICATOR SPECIFIC DATA TO BE ENTERED INTO BLANK MEMORY CHIP AT ASSEMBLY. SEE BELOW FOR PART NUMBER:
 MECHANICAL FEED WITH "SMART APPLICATOR" CONVERSION: 8-2266698-4
 PNEUMATIC FEED WITH "SMART APPLICATOR" CONVERSION: 8-2266698-4
 SERVO FEED WITH "FINE CRIMP HEIGHT ADJUST": 8-2266698-5
 SERVO FEED WITH "NON-CRIMP HEIGHT ADJUST": 8-2266698-6
- 5. ADJUSTMENT OF THE STRIPPER MAY BE REQUIRED WHEN MOVING THE APPLICATOR BETWEEN BENCH AND LEADMAKER APPLICATIONS.
- APPLY PART NUMBER 1-23419-5 LOCTITE TO THREADS OF ITEM 62. APPLY PART NUMBER 2-23419-6 LOCTITE TO THREADS OF ITEM 242. FOR -6 ONLY APPLY PART NUMBER 1-23419-5 LOCTITE TO THREADS OF ITEM 37.
- GREASE THREADS, GROOVE AND O-RING ON ITEMS 35 & 252.
- MAGNET, ITEM 166 MUST BE ORIENTED CORRECTLY IN ORDER TO PROPERLY ACTUATE THE COUNTER.
- CRIMP HEIGHT REFERENCE SETTING WAS THE SETTING USED WHEN THE APPLICATOR WAS QUALIFIED AT THE FACTORY. ADJUSTMENT MAY BE NECESSARY WHEN RUNNING APPLICATOR IN THE FIELD.
- SPARE FEED CAM STORAGE LOCATION REFER TO INSTRUCTION SHEET FOR ADDITIONAL INFORMATION.
- TO CONVERT THE APPLICATOR TO A NON-CARRIER CUTTING STYLE, REMOVE ITEM 13 AND ATTACH TO THE LOCATION ON THE BACK SIDE OF THE HOUSING. REFER TO INSTRUCTION SHEET FOR ADDITIONAL INFORMATION.
- WHEN ASSEMBLING A NON CRIMP HEIGHT ADJUST APPLICATOR (-6) USE SHIMS FROM ITEM 260 TO ACHIEVE A NOMINAL SHIM HEIGHT OF 4.40.

***WARNING**
ON INSTALLATION, SET WIRE DISC, ITEM 40 TO LARGEST WIRE SIZE SETTING. USE OF SETTINGS BELOW MINIMUM REQUIRED CRIMP HEIGHT SETTING WILL CAUSE DAMAGE TO CRIMP TOOLING.

-77	-7	-6	-5	-2	-1	PART NO	DESCRIPTION	ITEM NO
-	-	1	-	-	-	2119957-2	APPLICATOR SHIM PACK	260

ATLANTIC VERSION
Shown on sheets 1 of 4 & 2 of 4
(Pacific version shown on sheets 3 of 4 & 4 of 4)

SET UP GAUGE	LOC	DIST	REVISIONS			
2119599-1	A	66	#	DATE	OWN	APVD
			1	13MAR2015	GH	TE
			A	07APR2015	GH	TE

#	QTY	DESCRIPTION	DATE	OWN	APVD
-	1	8-21084-0 O-RING, .676 ID, .070 DIA. MAT.			252
-	-	2119640-1 PUSH ROD, AIR FEED			250
-	-	2079988-1 BUSHING, LCH5-12, MISUMI			249
-	-	2119641-1 FEED CAM, AIR FEED			248
-	1	2119798-1 DETENT PIN			247
-	1	1-22279-3 SPRING, COMPRESSION			246
-	-	2119758-1 RAM, AMP STYLE, SIDE FEED, NON-ADJ.			245
-	1	2119082-5 CAM, SNAIL, INSULATION ADJUSTMENT			244
-	1	2079764-1 WASHER, WAVE SPRING, CREST-TO-CREST			243
-	1	2119083-1 RETAINER, INSULATION DIAL			242
-	1	7-18023-7 SCR, SKT HD CAP M3 X 4.0			241
-	2	2168400-6 SHCS, LOW HEAD, RoHS, M5 X 16			240
-	-	2119580-1 MECHANICAL FEED ASSEMBLY			239
-	-	2063440-1 AIR FEED MODULE			238
-	1	2119740-2 TAG, IDENTIFICATION			213
-	1	1901094-3 SPACER, FEEDER			198
-	-	21045-3 RING, RETAIN, EXTERN, 3/16 CRESCENT			172
-	1	994969-1 MAGNET, RARE EARTH HIGH ENERGY			166
-	REF	994970-2 COUNTER, MAGNETIC			164
-	-	240638-1 SPRING, FEED FINGER			163
-	-	3-23627-7 PIN, RETAIN, GRVD, 3/16 X .854			137
-	-	2119799-1 HOLDER, FEED FINGER, AF			136
-	REF	SEE NOTE 4 MEMORY CHIP, PROGRAMMED			135
-	1	1633743-1 SERVO FEED LATCH ASM			133
-	REF	2119944-1 FEED FINGER ASSEMBLY, SF			117
-	1	455888-5 SPACER, CRIMPER			82
-	1	2119956-1 DOCUMENTATION PACKAGE			71
-	1	2119740-1 TAG, IDENTIFICATION			67
-	2	2168078-1 SCREW, DRIVE, RH, RoHS, 2 x .188			66
-	1	2119793-1 LIMITER, ADJUSTMENT BOLT			63
-	3	992763-5 SCR, SET, SOC, CONE POINT, M3 X 4.0			62
-	1	2079383-4 SCR, BHSC, RoHS (M4 X 8)			60
-	-	5-18022-5 SCR, HEX HD CAP, M4 X 6.0			59
-	-	1338685-1 PAWL, FEED			56
-	4	2168400-1 SHCS, LOW HEAD, RoHS, M4 X 12			54
-	2	1-2168083-0 SCR, SKT HD CAP, RoHS, M4 X 10			53
-	1	5018030-1 NUT, HEX, REG, RoHS, M3			52
-	1	811242-5 BUMPER, HOLD DOWN			51
-	1	690753-2 SPACER, TONKER			50
-	-	18023-9 SCR, SKT HD CAP M4 X 6.0			49
-	-	2119652-1 FEED CAM, PRE FEED			48
-	-	2119653-1 FEED CAM, POST FEED			47
-	1	2119656-9 APPLICATOR BASIC ASSEMBLY, SF			46
-	1	2119370-1 RAM, AMP STYLE, SIDE FEED			44
-	1	2079383-7 SCR, BHSC, RoHS (M8 X 25)			41
-	1	2119645-1 DISC, NUMBERED FA WIRE ADJUSTMENT			40
-	1	2119957-1 APPLICATOR SHIM PACK			39
-	1	1-2119644-2 RAM WASHER, PRECISION			38
-	1	2119085-1 FA HEAD, ATLANTIC STYLE			37
-	1	2119092-1 BOLT, ADJUSTMENT			35
-	1	1752356-3 SUPPORT, TERMINAL			34
-	2	2079383-5 SCR, BHSC, RoHS (M4 X 20)			33
-	1	2161328-1 HEX HEAD, FLANGED, M5 X 8mm LONG			32
-	1	1-1320908-0 SPACER, STRIP GUIDE			30
-	1	2119959-1 ASSEMBLY, STRIP GUIDE			29
-	1	455888-3 SPACER, CRIMPER			28
-	1	1320928-6 STRIP GUIDE			24
-	1	2168083-2 SCR, SKT HD CAP, RoHS, M4 X 8.0			21
-	2	1-18028-2 WASHER, FLAT, REG M4			20
-	1	2119533-1 STRIPPER, SIDE FEED			19
-	1	2119806-1 INSERT, SHEAR			13
-	1	3-22280-3 SPRING, COMPRESSION			12
-	1	1-356885-4 STOP, SHEAR			11
-	1	2119805-1 SHEAR HOLDER, FRONT			10
-	1	1803095-1 FLOATING SHEAR, FRONT			9
-	1	3-1803171-7 ANVIL, COMBINATION			8
-	-	-			7
-	-	-			6
-	1	2119757-8 DEPRESSOR, SHEAR			5
-	1	2-238011-1 BLOCK, CRIMPER SPACER			4
-	1	3-1633965-3 CRIMPER, INSULATION O PREMIUM			3
-	1	455888-4 SPACER, CRIMPER			2
-	1	8-1633305-4 CRIMPER, WIRE PREMIUM			1

DIMENSIONS:		TOLERANCES UNLESS OTHERWISE SPECIFIED:		OWN	CHK	APVD	DATE	NAME	
mm	0 PLC ±.5	1 PLC ±0.5	2 PLC ±0.13	HOFFNER	T. ELBIN	T. ELBIN	13MAR2015	TE Connectivity	
	3 PLC ±0.013	4 PLC ±0.001	ANGLES ±.1				16MAR2015	Harrisburg, PA 17105-3608	
MATERIAL	FINISH	WEIGHT	SCALE	Customer Accessible Production Drawing		1:2		SHEET 1 of 4 REV A	

PACIFIC VERSION TERMINATOR INTERFACE ADAPTER	PART NUMBER	REVISION	DESCRIPTION	FEED TYPE	APPLICATOR STYLE CONVERSION CHART						
					CONVERT TO	PART NUMBERS REQUIRED					
	2-2266698-1	A	FINE CRIMP HEIGHT ADJUST	MECHANICAL	PNEUMATIC FEED	2119950-1	1338685-1	5-18022-5	2119641-2	2119799-1	2063440-1
					SERVO LATCH PLATE	2119951-1	-	8-2266698-5	1901094-3	-	2168400-6 (QUANTITY 2)
					SMART APPLICATOR	2161326-1	-	8-2266698-4	-	-	-
	2-2266698-2	A	FINE CRIMP HEIGHT ADJUST	PNEUMATIC	MECHANICAL FEED	2119949-1	1338685-1	5-18022-5	2119653-2	-	-
					SERVO LATCH PLATE	2119951-1	-	8-2266698-5	1901094-3	-	2168400-6 (QUANTITY 2)
					SMART APPLICATOR	2161326-1	-	8-2266698-4	-	-	-
	2-2266698-5	A	FINE CRIMP HEIGHT ADJUST	SERVO LATCH PLATE ⁴	MECHANICAL FEED	2119949-1	1338685-1	5-18022-5	2119653-2	-	-
					PNEUMATIC FEED	2119950-1	1338685-1	5-18022-5	2119641-2	2119799-1	2063440-1
	2-2266698-7	A	FINE CRIMP HEIGHT ADJUST	NONE	-	-	-	-	-	-	-
	7-2266698-7	A	CRIMP TOOLING KIT	-	-	-	-	-	-	-	-

APPLICATOR DATA		
CRIMP	SIZE	TYPE
WIRE	2.10 mm [.083]	F
INSUL	3.40 mm [1.34]	O
APPLICATOR INSTRUCTIONS 408-10389		

TERMINAL DATA: MOLEX TERMINAL		MOLEX CRIMP SPECIFICATION	
TERMINAL NAME: MALE PIN TERMINAL			
WIRE STRIP LENGTH		INSULATION DIAMETER RANGE	
4.20-5.00 mm [1.65-.197 IN]		Ø2.36-2.74 mm [0.093-.108 IN]	
TERMINAL APPLICATION SPECIFICATION	ATS-639008300 Rev A	-	-
TERMINALS APPLIED			
TE TERMINAL	MOLEX TERMINAL	TE TERMINAL	MOLEX TERMINAL
2113242-1	194170024	2113242-3	194170028
2113242-2	194170026	2113242-4	194170030

WIRE SIZE	CRIMP HEIGHT mm [INCH]	CRIMP HEIGHT REFERENCE SETTING
18 AWG	1.40 +/- 0.05 [0.055 +/- .002]	7.6
20 AWG	1.30 +/- 0.05 [0.051 +/- .002]	8.6
22 AWG	1.20 +/- 0.05 [0.047 +/- .002]	9.6
24 AWG	1.10 +/- 0.05 [0.043 +/- .002]	10.7

- RECOMMENDED SPARE PARTS
- GREASE BEARING SURFACES LIGHTLY
- 3. LUBRICATE DAILY PER THE APPLICATOR INSTRUCTION SHEET SUPPLIED WITH THE APPLICATOR.
- 4. APPLICATOR SPECIFIC DATA TO BE ENTERED INTO BLANK MEMORY CHIP AT ASSEMBLY. SEE BELOW FOR PART NUMBER:
 MECHANICAL FEED WITH "SMART APPLICATOR" CONVERSION: 8-2266698-4
 PNEUMATIC FEED WITH "SMART APPLICATOR" CONVERSION: 8-2266698-4
 SERVO FEED WITH "FINE CRIMP HEIGHT ADJUST": 8-2266698-5
- 5. ADJUSTMENT OF THE STRIPPER MAY BE REQUIRED WHEN MOVING THE APPLICATOR BETWEEN BENCH AND LEADMAKER APPLICATIONS.
- 6. APPLY PART NUMBER 1-23419-5 LOCTITE TO THREADS OF ITEM 62. APPLY PART NUMBER 2-23419-6 LOCTITE TO THREADS OF ITEM 242.
- 7. GREASE THREADS, GROOVE AND O-RING ON ITEMS 139 & 152.
- 8. MAGNET MUST BE ORIENTED CORRECTLY IN ORDER TO PROPERLY ACTUATE THE COUNTER.
- 9. CRIMP HEIGHT REFERENCE SETTING WAS THE SETTING USED WHEN THE APPLICATOR WAS QUALIFIED AT THE FACTORY. ADJUSTMENT MAY BE NECESSARY WHEN RUNNING APPLICATOR IN THE FIELD.
- 10. SPARE FEED CAM STORAGE LOCATION REFER TO INSTRUCTION SHEET FOR ADDITIONAL INFORMATION.
- 11. TO CONVERT THE APPLICATOR TO A NON-CARRIER CUTTING STYLE, REMOVE ITEM 13 AND ATTACH TO THE LOCATION ON BACK SIDE OF THE HOUSING. REFER TO INSTRUCTION SHEET FOR ADDITIONAL INFORMATION.

***WARNING**
 ON INSTALLATION, SET WIRE DISC, ITEM 40 TO LARGEST WIRE SIZE SETTING. USE OF SETTINGS BELOW MINIMUM REQUIRED CRIMP HEIGHT SETTING WILL CAUSE DAMAGE TO CRIMP TOOLING.

PACIFIC VERSION
 Shown on sheets 3 of 4 & 4 of 4
 (Atlantic version shown on sheets 1 of 4 & 2 of 4)

SET UP GAUGE	LOC	DIST	REVISIONS			
2119599-1	A	66	#	DATE	BY	APPV
			-	SEE SHEET 1	-	-

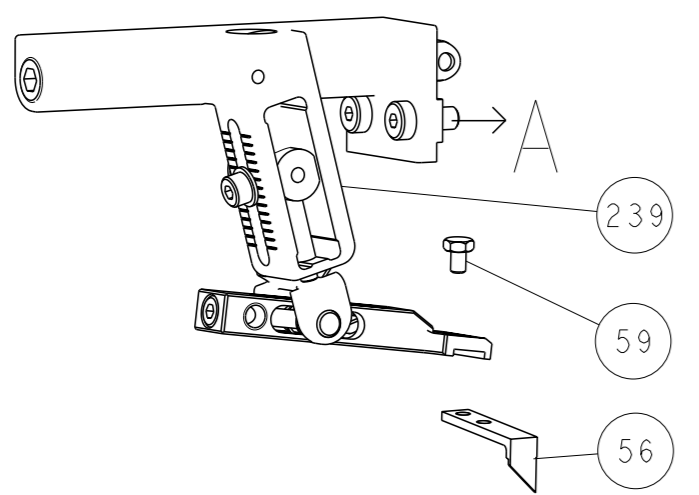
-	1	1	1	1	2119782-1	FINE ADJUST HEAD ASM, PACIFIC STYLE	251
-	-	-	1	-	2119640-1	PUSH ROD, AIR FEED	250
-	-	-	1	-	2079988-1	BUSHING, LCH5-12, MISUMI	249
-	1	1	1	1	1-22279-3	SPRING, COMPRESSION	246
-	1	1	1	1	2119082-5	CAM, SNAIL, INSULATION ADJUSTMENT	244
-	1	1	1	1	2079764-1	WASHER, WAVE SPRING, CREST-TO-CREST	243
-	1	1	1	1	2119083-1	RETAINER, INSULATION DIAL	242
-	1	1	1	1	7-18023-7	SCR, SKT HD CAP M3 X 4.0	241
-	-	2	-	-	2168400-6	SHCS, LOW HEAD, RoHS, M5 X 16	240
-	-	-	-	1	2119580-1	MECHANICAL FEED ASSEMBLY	239
-	-	-	1	-	2063440-1	AIR FEED MODULE	238
-	-	1	-	-	2119740-2	TAG, IDENTIFICATION	213
-	-	1	-	-	1901094-3	SPACER, FEEDER	198
-	-	-	2	-	21045-3	RING, RETAIN, EXTERN, 3/16 CRESCENT	172
-	1	1	1	1	994969-1	MAGNET, RARE EARTH HIGH ENERGY	166
-	REF	REF	REF	REF	994970-2	COUNTER, MAGNETIC	164
-	-	-	1	-	240638-1	SPRING, FEED FINGER	163
-	1	1	1	1	8-21084-1	O-RING, .801 ID, .070 DIA. MAT.	152
-	-	-	1	-	2119641-2	FEED CAM, AIR FEED	151
-	1	1	1	1	2119798-2	DETENT PIN	145
-	1	1	1	1	2079383-8	SCR, BHSC, RoHS (M4 X 16)	144
-	4	4	4	4	2168400-5	SHCS, LOW HEAD, RoHS, M4 X 20	143
-	-	-	-	1	2119653-2	FEED CAM, POST FEED	142
-	1	1	1	1	1-2119656-0	APPLICATOR BASIC ASSEMBLY, SF	141
-	1	1	1	1	2119650-1	RAM, ASIAN STYLE, SIDE FEED	140
-	1	1	1	1	2119092-2	BOLT, ADJUSTMENT	139
-	-	-	1	-	3-23627-7	PIN, RETAIN, GRVD, 3/16 X .854	137
-	-	-	1	-	2119799-1	HOLDER, FEED FINGER, AF	136
-	-	REF	-	-	SEE NOTE 4	MEMORY CHIP, PROGRAMMED	135
-	-	1	-	-	1633743-1	SERVO FEED LATCH ASM	133
-	-	REF	-	-	2119944-1	FEED FINGER ASSEMBLY, SF	117
-	1	1	1	1	455888-5	SPACER, CRIMPER	82
-	1	1	1	1	2119956-1	DOCUMENTATION PACKAGE	71
-	1	-	1	1	2119740-1	TAG, IDENTIFICATION	67
-	2	2	2	2	2168078-1	SCREW, DRIVE, RH, RoHS, 2 x .188	66
-	1	1	1	1	2119793-1	LIMITER, ADJUSTMENT BOLT	63
-	3	3	3	3	992763-5	SCR, SET, SOC, CONE POINT, M3 X 4.0	62
-	-	-	1	1	5-18022-5	SCR, HEX HD CAP, M4 X 6.0	59
-	-	-	1	1	1338685-1	PAWL, FEED	56
-	2	2	2	2	1-2168083-0	SCR, SKT HD CAP, RoHS, M4 X 10	53
-	1	1	1	1	5018030-1	NUT, HEX, REG, RoHS, M3	52
-	1	1	1	1	811242-5	BUMPER, HOLD DOWN	51
-	1	1	1	1	690753-2	SPACER, TONKER	50
-	-	-	1	2	18023-9	SCR, SKT HD CAP M4 X 6.0	49
-	-	-	-	1	2119652-1	FEED CAM, PRE FEED	48
-	1	1	1	1	2079383-7	SCR, BHSC, RoHS (M8 X 25)	41
-	1	1	1	1	2119645-1	DISC, NUMBERED FA WIRE ADJUSTMENT	40
-	1	1	1	1	2119957-1	APPLICATOR SHIM PACK	39
-	1	1	1	1	1-2119644-2	RAM WASHER, PRECISION	38
-	1	1	1	1	1752356-3	SUPPORT, TERMINAL	34
-	2	2	2	2	2079383-5	SCR, BHSC, RoHS (M4 X 20)	33
-	1	1	1	1	2161328-1	HEX HEAD, FLANGED, M5 X 8mm LONG	32
-	1	1	1	1	1-1320908-0	SPACER, STRIP GUIDE	30
-	1	1	1	1	2119959-1	ASSEMBLY, STRIP GUIDE	29
-	1	1	1	1	455888-3	SPACER, CRIMPER	28
-	1	1	1	1	1320928-6	STRIP GUIDE	24
-	1	1	1	1	2168083-2	SCR, SKT HD CAP, RoHS, M4 X 8.0	21
-	2	2	2	2	1-18028-2	WASHER, FLAT, REG M4	20
-	1	1	1	1	2119533-1	STRIPPER, SIDE FEED	19
-	1	1	1	1	2119806-1	INSERT, SHEAR	13
-	1	1	1	1	3-22280-3	SPRING, COMPRESSION	12
-	1	1	1	1	1-356885-4	STOP, SHEAR	11
-	1	1	1	1	2119805-1	SHEAR HOLDER, FRONT	10
-	1	1	1	1	1803095-1	FLOATING SHEAR, FRONT	9
-	1	1	1	1	3-1803171-7	ANVIL, COMBINATION	8
-	-	-	-	-	-	-	7
-	-	-	-	-	-	-	6
-	1	1	1	1	2119757-8	DEPRESSOR, SHEAR	5
-	1	1	1	1	2-238011-1	BLOCK, CRIMPER SPACER	4
-	1	1	1	1	3-1633965-3	CRIMPER, INSULATION O PREMIUM	3
-	1	1	1	1	455888-4	SPACER, CRIMPER	2
-	1	1	1	1	8-1633305-4	CRIMPER, WIRE PREMIUM	1

DIMENSIONS:		TOLERANCES UNLESS OTHERWISE SPECIFIED:		APPROVED:		NAME:	
mm	0 PLC ±.5	1 PLC ±0.5	2 PLC ±0.3	3 PLC ±0.13	4 PLC ±0.001	ANGLES ±.1	FINISH
MATERIAL		FINISH		WEIGHT		SCALE	
-		-		-		1:2	

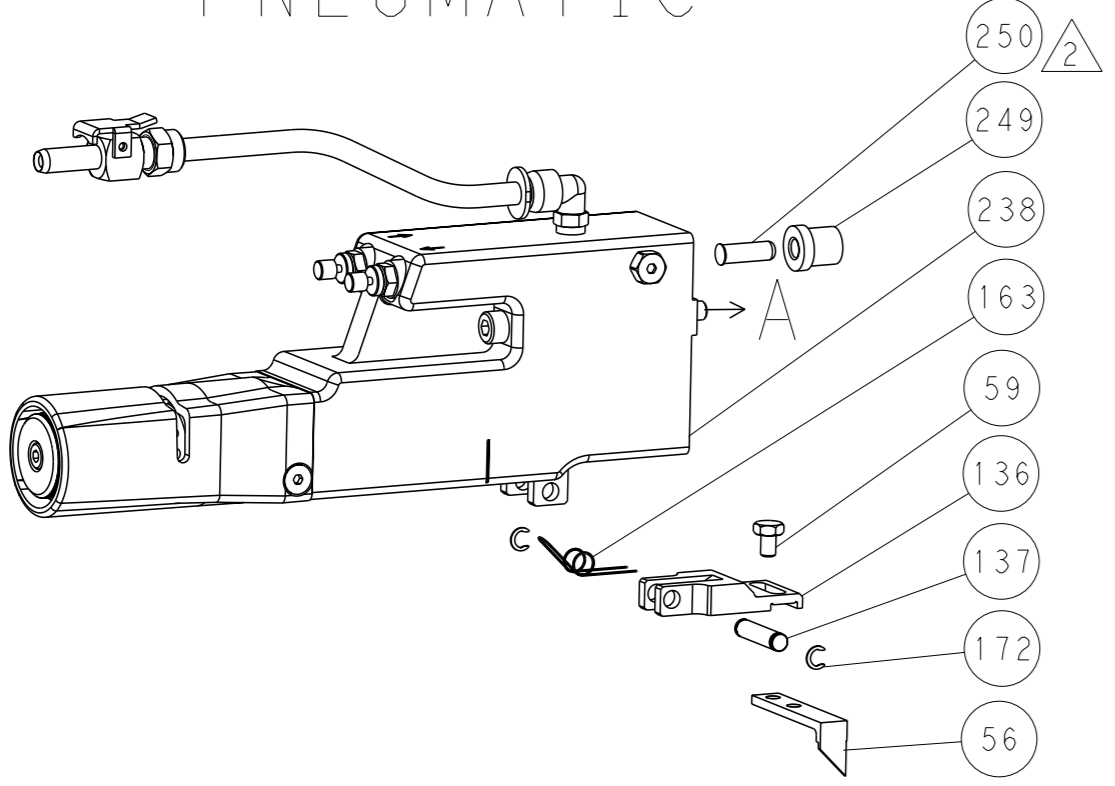
OWN	HOFFNER	13MAR2015	TE Connectivity Harrisburg, PA 17105-3608
CHK	T. ELBIN	16MAR2015	
APPV	T. ELBIN	16MAR2015	
PRODUCT SPEC			NAME
APPLICATION SPEC			Ocean Side Feed Applicator
RESTRICTED TO			SIZE
-			CAGE CODE
-			DRAWING NO
-			00779
Customer Accessible Production Drawing			SCALE
-			1:2
-			SHEET
-			3 of 4
-			REV
-			A

REVISONS		DATE	OWN	APVD
LOC	DIST			
A	66			
P	LYR	DESCRIPTION		
-	-	SEE SHEET 1	-	-

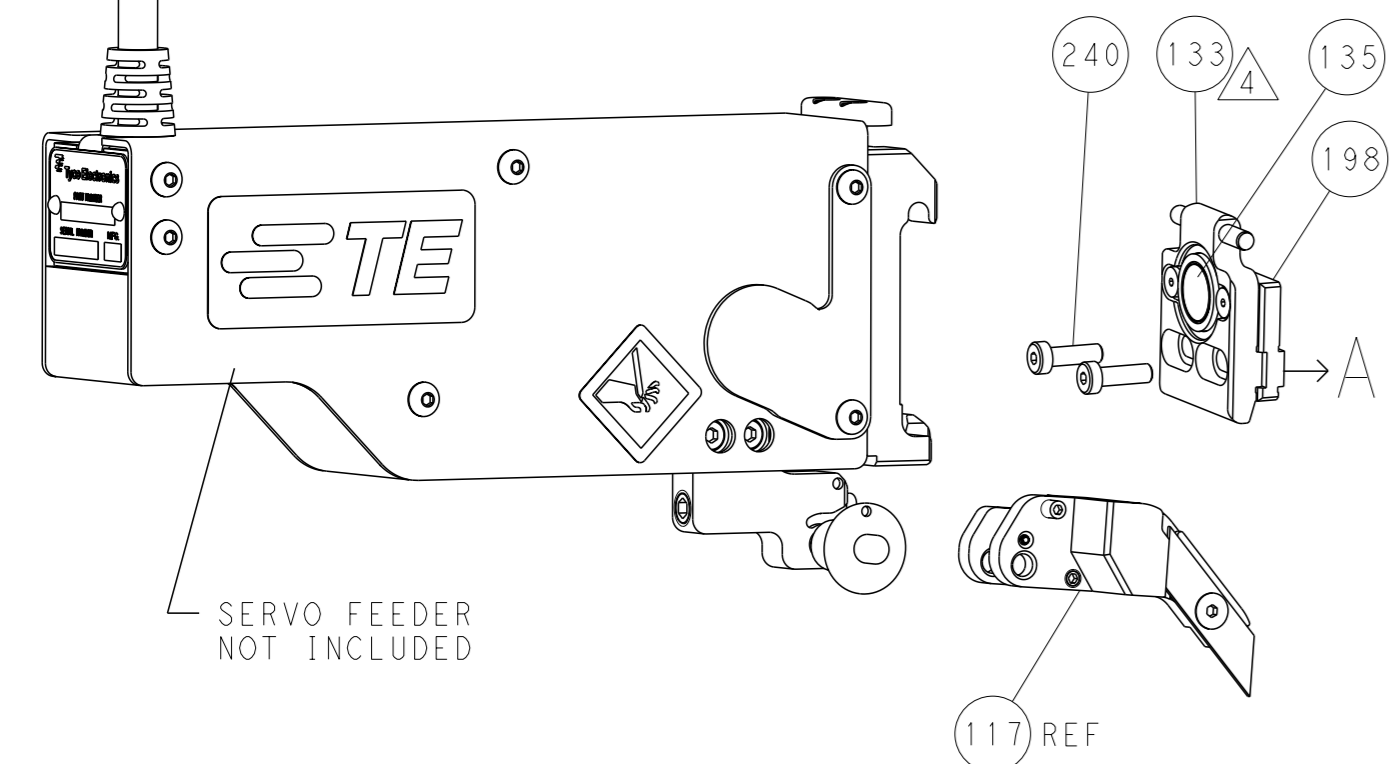
FEED TYPE MECHANICAL



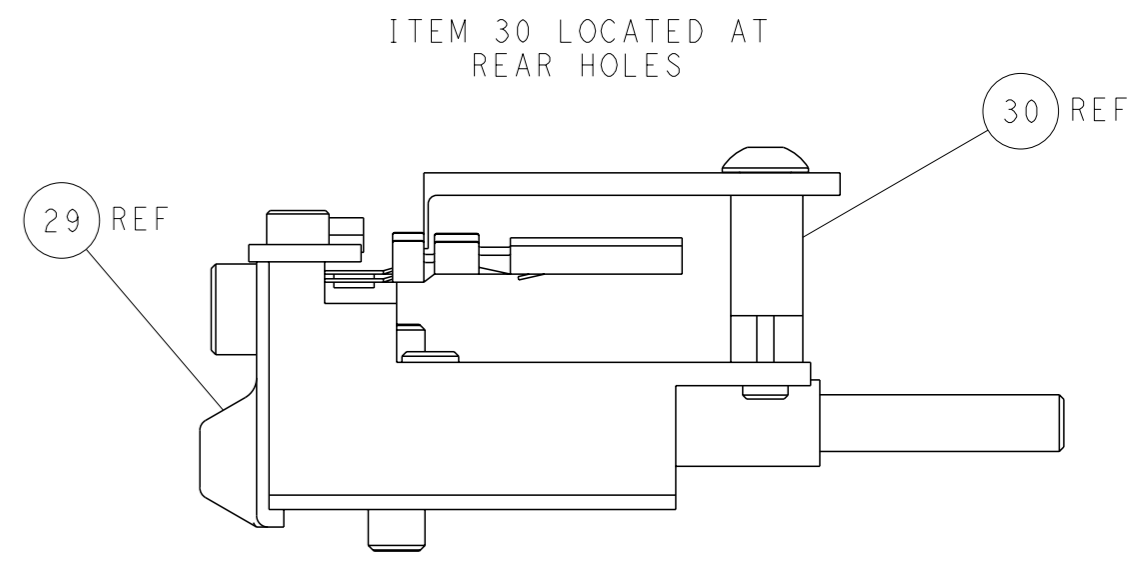
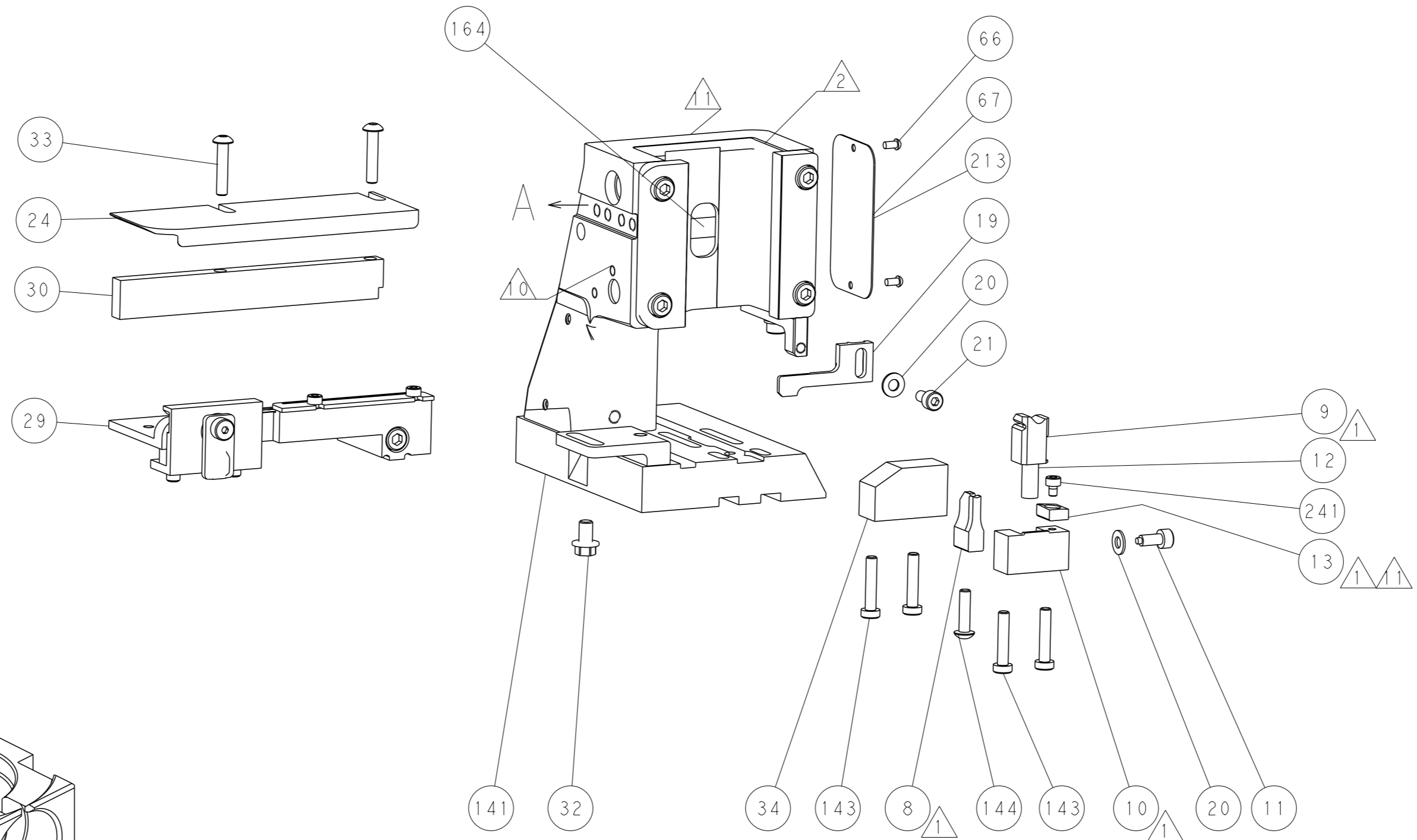
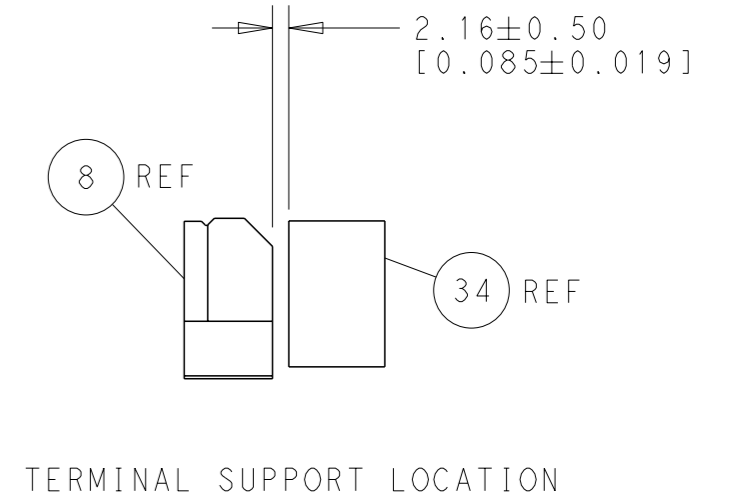
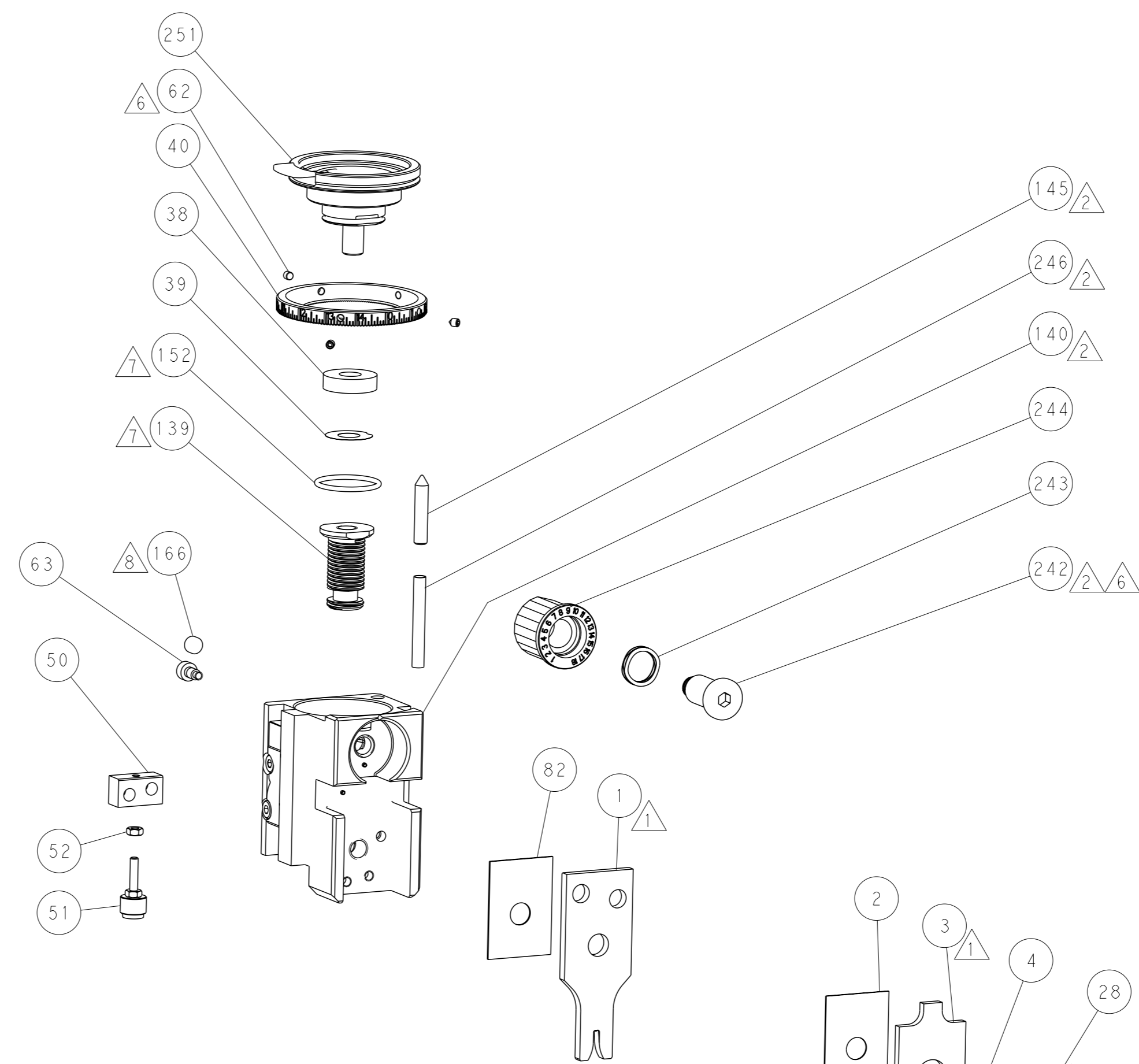
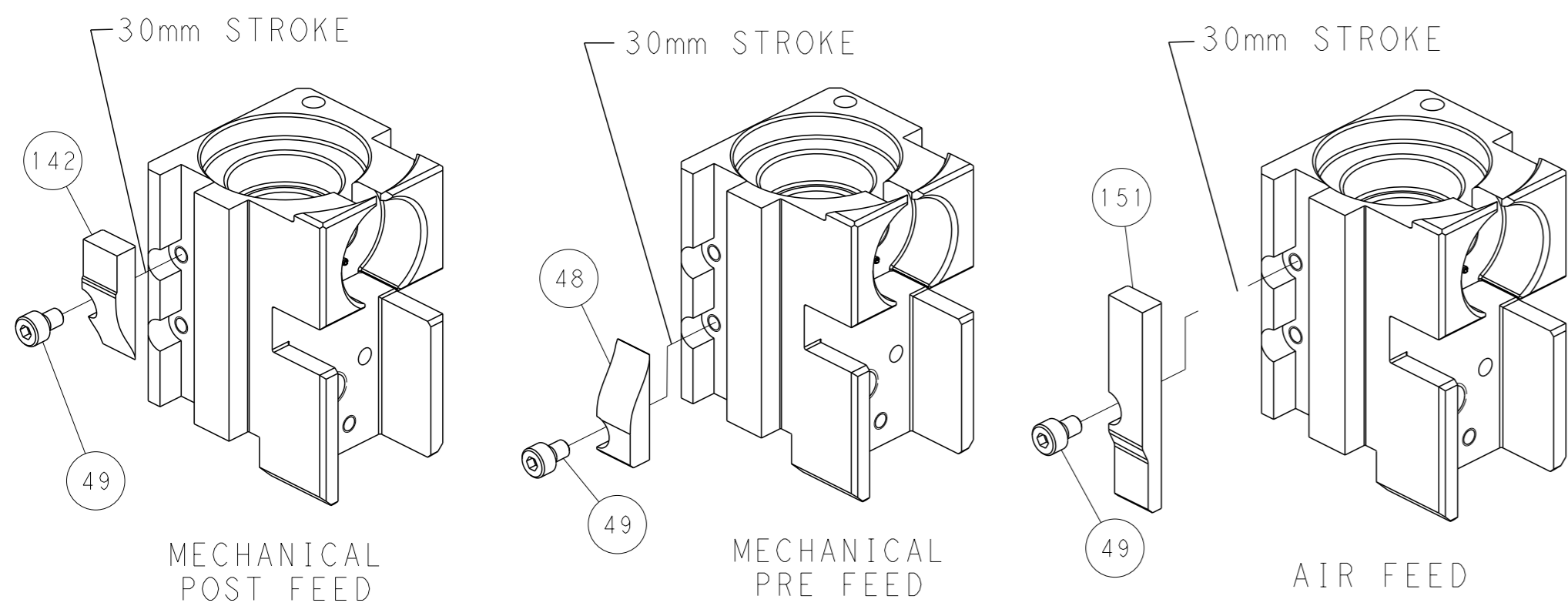
PNEUMATIC



SERVO LATCH PLATE



CAM POSITIONS



PACIFIC VERSION
 Shown on sheets 3 of 4 & 4 of 4
 (Atlantic version shown on sheets 1 of 4 & 2 of 4)

<small>THIS DRAWING IS A CONTROLLED DOCUMENT FOR TYCO ELECTRONICS CORPORATION. IT IS SUBJECT TO CHANGE AND THE CONTROL AND ENGINEERING ORGANIZATION SHOULD BE CONTACTED FOR THE LATEST REVISION.</small>		DWN: HOFFNER 13MAR2015 CHK: TELBIN 16MAR2015 APVD: TELBIN 16MAR2015	NAME: Ocean Side Feed Applicator SIZE: A1 CAGE CODE: 00779 DRAWING NO: C=2266698	RESTRICTED TO: - SCALE: 1:2 SHEET: 4 of 4 REV: A
DIMENSIONS: mm TOLERANCES UNLESS OTHERWISE SPECIFIED: 0 PLC ±.5 1 PLC ±0.5 2 PLC ±0.13 3 PLC ±0.013 4 PLC ±0.0001 ANGLES FINISH: -	MATERIAL: - FINISH: -	WEIGHT: - APPLICATION SPEC: - PRODUCT SPEC: -	CUSTOMER ACCESSIBLE PRODUCTION DRAWING	