



Chipsmall Limited consists of a professional team with an average of over 10 year of expertise in the distribution of electronic components. Based in Hongkong, we have already established firm and mutual-benefit business relationships with customers from,Europe,America and south Asia,supplying obsolete and hard-to-find components to meet their specific needs.

With the principle of “Quality Parts,Customers Priority,Honest Operation,and Considerate Service”,our business mainly focus on the distribution of electronic components. Line cards we deal with include Microchip,ALPS,ROHM,Xilinx,Pulse,ON,Everlight and Freescale. Main products comprise IC,Modules,Potentiometer,IC Socket,Relay,Connector.Our parts cover such applications as commercial,industrial, and automotives areas.

We are looking forward to setting up business relationship with you and hope to provide you with the best service and solution. Let us make a better world for our industry!



Contact us

Tel: +86-755-8981 8866 Fax: +86-755-8427 6832

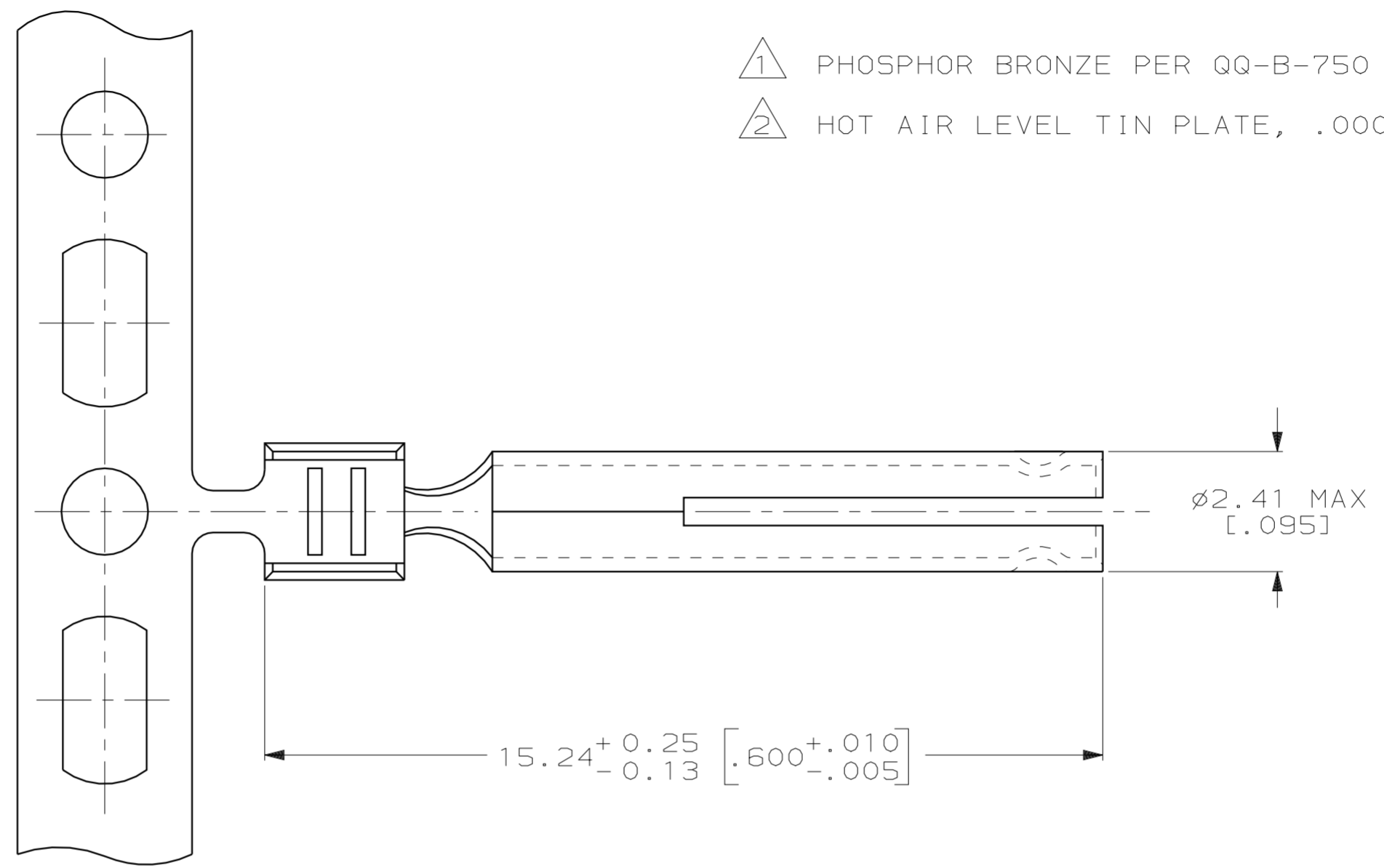
Email & Skype: info@chipsmall.com Web: www.chipsmall.com

Address: A1208, Overseas Decoration Building, #122 Zhenhua RD., Futian, Shenzhen, China

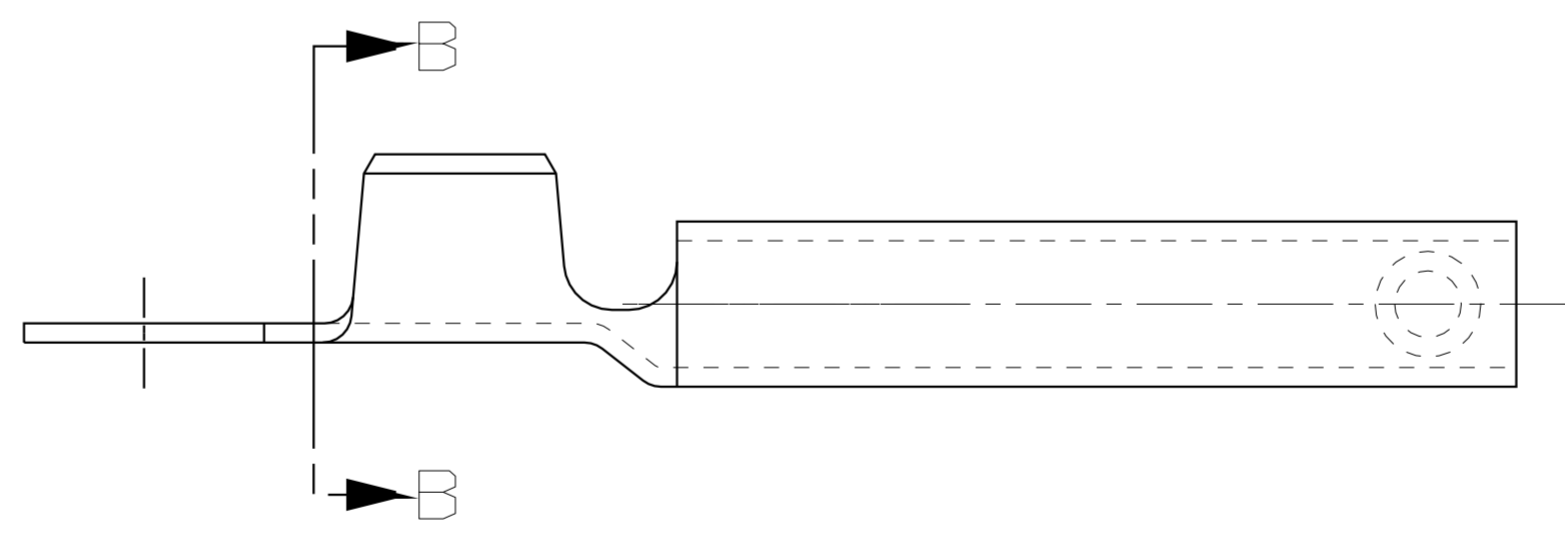
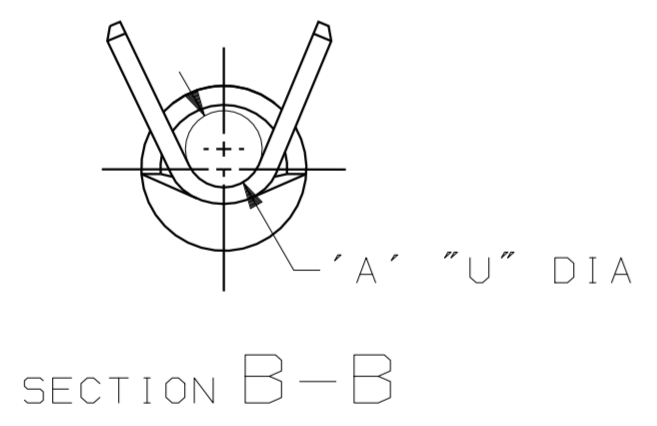


THIS DRAWING IS UNPUBLISHED. RELEASED FOR PUBLICATION
 © COPYRIGHT 19 BY AMP INCORPORATED. ALL INTERNATIONAL RIGHTS RESERVED.

LOC	DIST	P	F	ZONE	LTR	DESCRIPTION	DATE	APPD
AJ	16				B	REDWN ON CAD & REL -3 PER 89-3338-001	11-3-89	DL
					C	REVISED PER AJ-4963	11-1-90	JG
					D	REVISED PER 0220-0088-93	8-24-93	JG



- 1 PHOSPHOR BRONZE PER QQ-B-750
- 2 HOT AIR LEVEL TIN PLATE, .000100 MINIMUM THICK



0.64 [.025]	226853-3
1.02 [.040]	226853-2
'A' DIA	PART NUMBER

DO NOT SCALE PRINT. UNLESS SPECIFIED DIMENSIONS IN INCHES TOLERANCES ON :		DR D. LAMAN 11-3-89		PART NO	
2 PLC DEC ± -		CHK R. E. RUTH 12/4/89		AMP INCORPORATED Harrisburg, Pa. 17105	
3 PLC DEC ± .008		APPD R. HENRY 12/4/89			
ANGLES ± -		APPD R. E. RUTH 12/4/89		NAME	
MATERIAL		PRODUCT SPEC		JACK CONTACT, MINIATURE UHF	
FINISH		APPLICATION SPEC		SIZE	CAGE CODE
1		-		C	00779
2		-		SCALE	DRAWING NO
		WEIGHT -		10:1	226853
				SHEET	1 OF 1