



Chipsmall Limited consists of a professional team with an average of over 10 year of expertise in the distribution of electronic components. Based in Hongkong, we have already established firm and mutual-benefit business relationships with customers from,Europe,America and south Asia,supplying obsolete and hard-to-find components to meet their specific needs.

With the principle of "Quality Parts,Customers Priority,Honest Operation,and Considerate Service",our business mainly focus on the distribution of electronic components. Line cards we deal with include Microchip,ALPS,ROHM,Xilinx,Pulse,ON,Everlight and Freescale. Main products comprise IC,Modules,Potentiometer,IC Socket,Relay,Connector.Our parts cover such applications as commercial,industrial, and automotives areas.

We are looking forward to setting up business relationship with you and hope to provide you with the best service and solution. Let us make a better world for our industry!



Contact us

Tel: +86-755-8981 8866 Fax: +86-755-8427 6832

Email & Skype: info@chipsmall.com Web: www.chipsmall.com

Address: A1208, Overseas Decoration Building, #122 Zhenhua RD., Futian, Shenzhen, China





Series 226A

3.0 x 2.6 x 1.0mm Compact Tactile Switch

- Surface mount gull-wing terminal configuration
- Compatible with IR reflow and manual soldering
- Compact size suitable for limited available space



Ordering Information

Series	Terminal Type	Actuation Direction	Actuator Length "L"	Actuation Force	Packaging
226A	M	V	A	A	R

Code	Spec.
M	Surface mount gull wing

Code	Spec.
A	1.4mm

Code	Spec.
V	Vertical

Code	Spec.
A	160 gf, black
B	400 gf, salmon

Code	Spec.
R	Tape & reel packaging

Notes: Contact CTS for other common features not listed.



Electrical Specifications

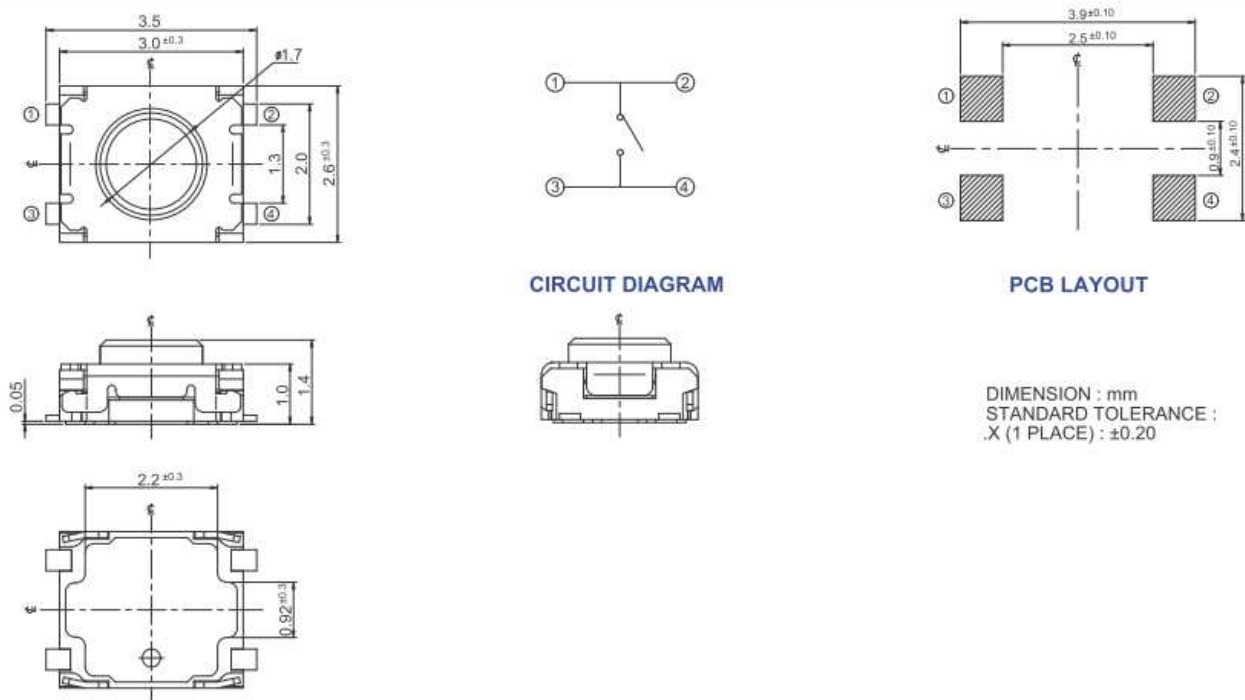
Parameter	Conditions & Remarks	Min	Max	Unit
Contact Resistance			100	milliohms
Insulation Resistance	Between insulated terminals	100		Megohms
Dielectric Strength	1 minute between adjacent switches		250	VAC
Nonswitching Rating			50 or 12	mA or VDC

Mechanical and Environmental

Soldering	Maximum reflow temperature, 260°C for 5 seconds Maximum manual temperature, 350°C for 3 seconds
RoHS	Lead-Free. Fully compliant to RoHS Directive 2011/65/EU
Operating Force	160, 400 gf
Actuation Life	160 gf: 500,000 cycles 400 gf: 200,000 cycles
Actuator Strength	160 gf: 3 Kgf maximum 400 gf: 5 Kgf maximum
Travel	0.15 mm
Packaging	Standard tape and reel packaging
Operating Temperature Range	-40°C to +85°C
Storage Temperature Range	-40°C to +85°C

Mechanical Specifications

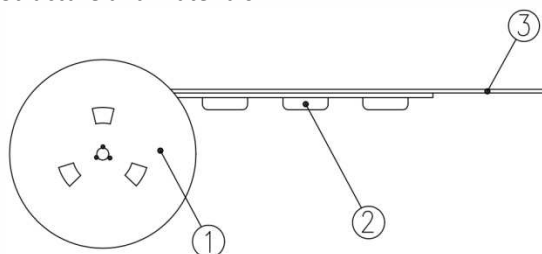
Figure 1 –226AM Surface Mount Gull Wing



Packing: Tape and Reel

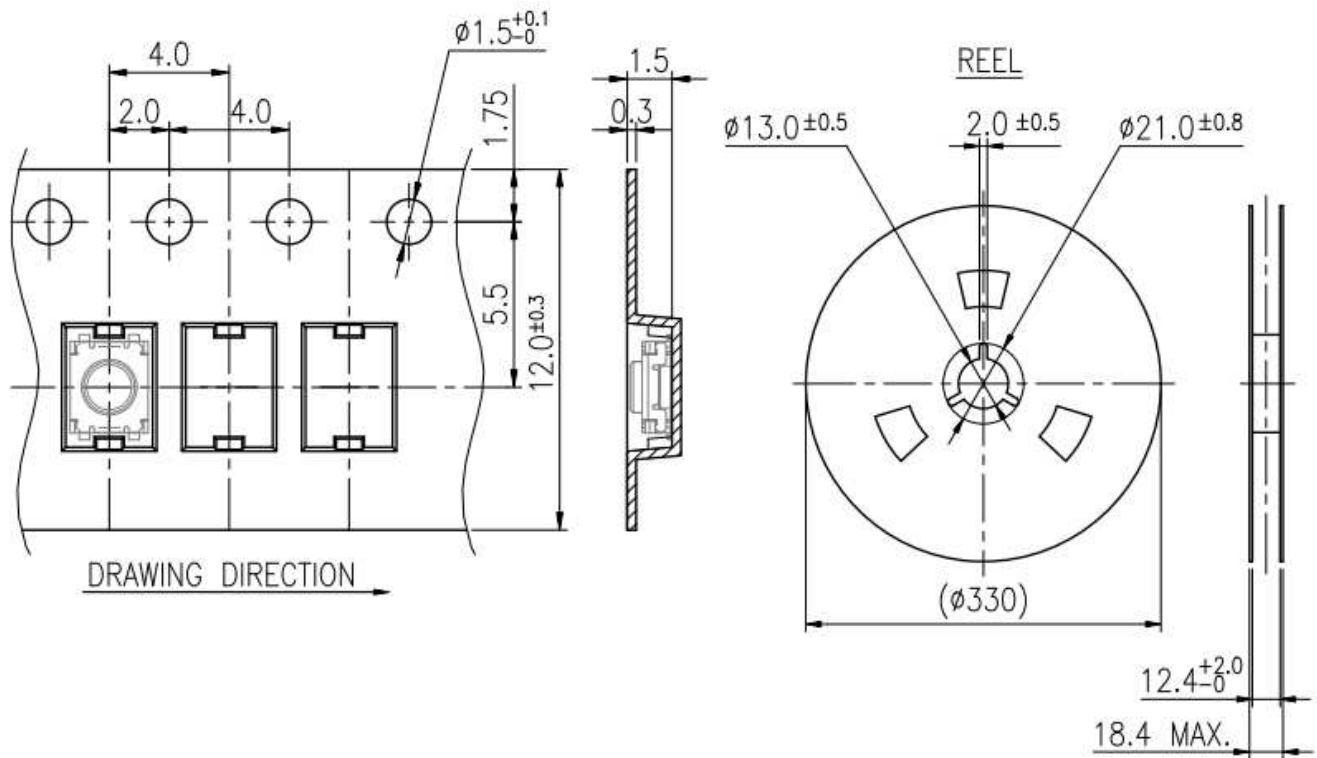
Surface Mount Gull Wing

The packing specifications:
Structure and materials:



③	COVER TAPE	POLYESTER
②	CARRIER TAPE	POLYSTYRENE
①	REEL	POLYSTYRENE
NO.	PARTS NAME	MATERIALS

1. Packing quantity: 9,500 pcs/reel
2. More than 10 empty pockets should remain at each end of the carrier tape for each reel.
3. Shortage less than 10 pcs a reel is acceptable but no more than 3 running pockets are allowed.
4. Stripping strength of cover tape is between 10 gf to 70 gf and stripping angle should be within 165°~180°.
5. The product in the pocket of carrier tape will be oriented as shown on the following page.
6. Tape and reel per EIA-481
7. Dimensions: see following page.



COVER TAPE

