



Chipsmall Limited consists of a professional team with an average of over 10 year of expertise in the distribution of electronic components. Based in Hongkong, we have already established firm and mutual-benefit business relationships with customers from,Europe,America and south Asia,supplying obsolete and hard-to-find components to meet their specific needs.

With the principle of “Quality Parts,Customers Priority,Honest Operation,and Considerate Service”,our business mainly focus on the distribution of electronic components. Line cards we deal with include Microchip,ALPS,ROHM,Xilinx,Pulse,ON,Everlight and Freescale. Main products comprise IC,Modules,Potentiometer,IC Socket,Relay,Connector.Our parts cover such applications as commercial,industrial, and automotives areas.

We are looking forward to setting up business relationship with you and hope to provide you with the best service and solution. Let us make a better world for our industry!



## Contact us

Tel: +86-755-8981 8866 Fax: +86-755-8427 6832

Email & Skype: info@chipsmall.com Web: www.chipsmall.com

Address: A1208, Overseas Decoration Building, #122 Zhenhua RD., Futian, Shenzhen, China



### 3.0x2.6mm Compact Tactile Switch

#### Features

##### Optimized Mechanical Features

- Surface mount J bend terminal configurations
- Compatible with IR reflow and manual soldering
- Variety of operating force options

##### Optimized Contact System

- Excellent tactile feedback

##### Materials

- Silver coated terminals for better solderability
- High temperature materials (UL94V-0)
- RoHS compliant



## Electrical and Mechanical Specifications

#### Switch Contact Resistance

500 milliohms maximum

#### Insulation Resistance

100 Megohms minimum between insulated terminals

#### Maximum Rating

50mA, 12 VDC

#### Dielectric Strength

250 VAC for 1 minute between adjacent terminals

#### Operating Force

100, 160 or 240 gf

#### Travel

0.15 mm

#### Operating Temperature

- 40°C to +85°C

#### Storage Temperature

- 40°C to +85°C

#### Actuator Strength

3 Kgf. maximum

#### Actuation Life

100 gf: 100,000 cycles  
160 gf: 300,000 cycles  
240 gf: 200,000 cycles

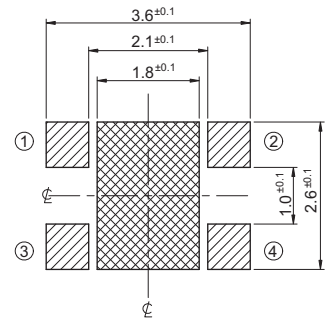
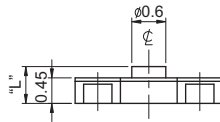
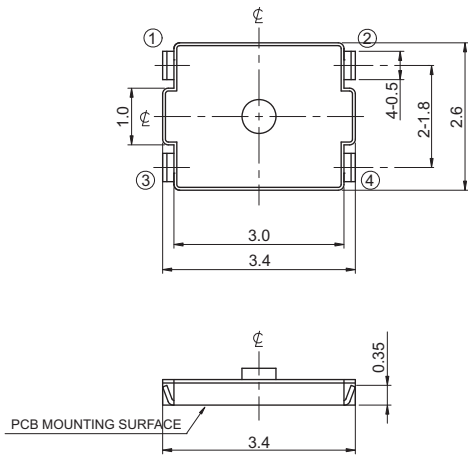
#### Allowable Solder Time

IR Reflow: Up to 5 seconds at 260°C  
Manual soldering: Up to 3 seconds at 350°C

#### Packaging

Standard: Tape and reel packaging with 330mm diameter reel and 12mm wide plastic tape

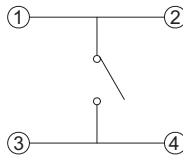
## CTS SERIES 226CJVAAR - Surface Mount J Bend Terminal, 100gf



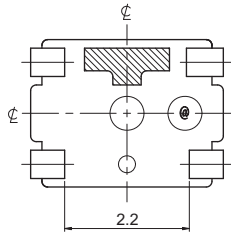
Do not place circuit in this area

### PCB LAYOUT

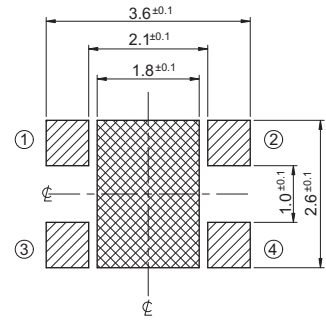
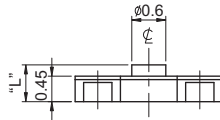
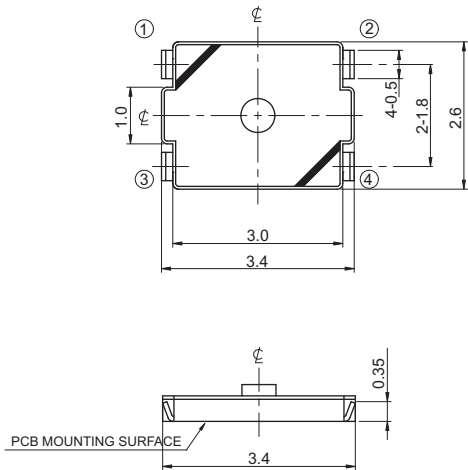
### CIRCUIT DIAGRAM



DIMENSION : mm  
STANDARD TOLERANCE :  
.X (1 PLACE) : ±0.2



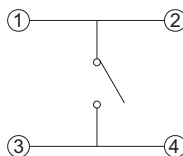
## CTS SERIES 226CJVABR - Surface Mount J Bend Terminal, 160gf



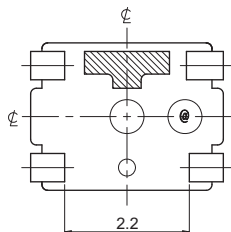
Do not place circuit in this area

### PCB LAYOUT

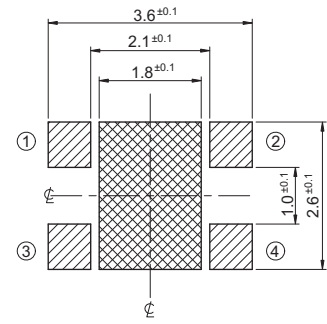
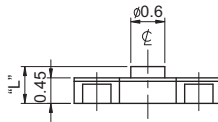
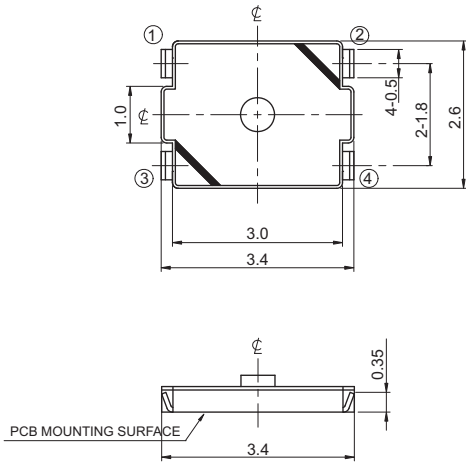
### CIRCUIT DIAGRAM



DIMENSION : mm  
STANDARD TOLERANCE :  
.X (1 PLACE) : ±0.2

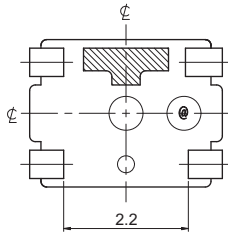


# CTS SERIES 226CJVBCR - Surface Mount J Bend Terminal, 240gf

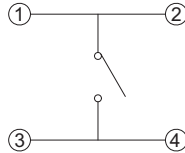


Do not place circuit in this area

## PCB LAYOUT

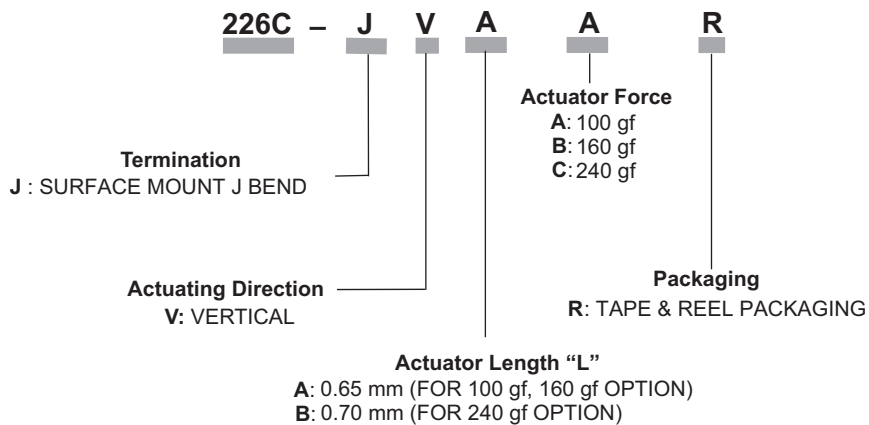


## CIRCUIT DIAGRAM



DIMENSION : mm  
STANDARD TOLERANCE :  
.X (1 PLACE) : ±0.2

## Ordering Information



### Note:

Consult CTS for other common features not listed.