



Chipsmall Limited consists of a professional team with an average of over 10 year of expertise in the distribution of electronic components. Based in Hongkong, we have already established firm and mutual-benefit business relationships with customers from,Europe,America and south Asia,supplying obsolete and hard-to-find components to meet their specific needs.

With the principle of “Quality Parts,Customers Priority,Honest Operation,and Considerate Service”,our business mainly focus on the distribution of electronic components. Line cards we deal with include Microchip,ALPS,ROHM,Xilinx,Pulse,ON,Everlight and Freescale. Main products comprise IC,Modules,Potentiometer,IC Socket,Relay,Connector.Our parts cover such applications as commercial,industrial, and automotives areas.

We are looking forward to setting up business relationship with you and hope to provide you with the best service and solution. Let us make a better world for our industry!



Contact us

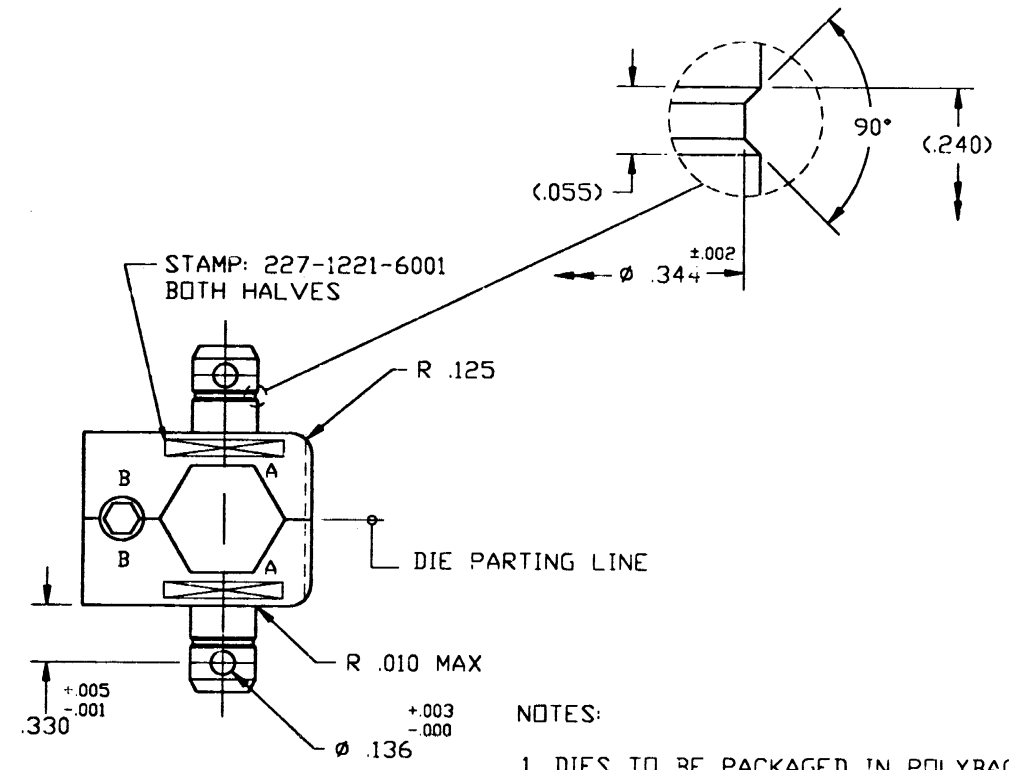
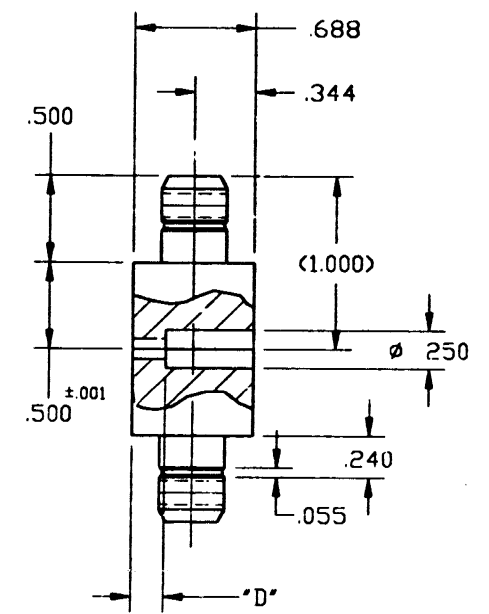
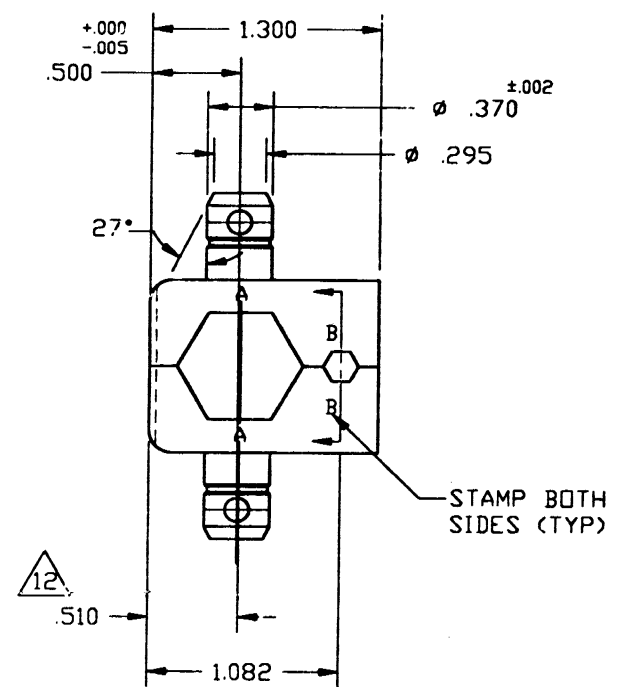
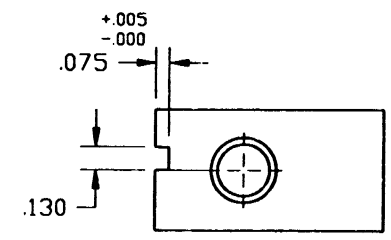
Tel: +86-755-8981 8866 Fax: +86-755-8427 6832

Email & Skype: info@chipsmall.com Web: www.chipsmall.com

Address: A1208, Overseas Decoration Building, #122 Zhenhua RD., Futian, Shenzhen, China



227-1221-6001		REVISIONS			
DRAWING NO.	REV	DESCRIPTION	DATE	ECO	APP
THIRD ANGLE PROJ.	A	OFFICIAL ENG. RELEASE TO MFG.	5/3/96	41165	CPM



- NOTES:
1. DIES TO BE PACKAGED IN POLYBAG. BAG MUST BE MARKED 227-1221-6001.
 2. MATERIAL: CRIMPING DIES - TOOL STEEL PER QQ-S-628, CLASS B. HEAT TREAT TO ROCKWELL C52-58.
 3. FINISH: ON CRIMPING SURFACES 32 MICROINCHES MAX. BLACK OXIDE COATING PER MIL-C-13924.
 4. DIES SHALL BE SUPPLIED WITH APPROPRIATE ROLL PINS.
 5. DIMENSIONS ENCLOSED BY PARENTHESIS ARE REFERENCE.
 6. MANUFACTURED BY DANIELS MFG CORP., BLOOMFIELD, MICHIGAN.
 7. USED IN CONJUNCTION WITH AMPHENOL TOOL FRAME PART No. 227-944. (DANIELS MFG CORP. TOOL FRAME HX4).
 8. DIMENSIONS SHOWN ARE AT FULLY BUTTED CONDITIONS.
 9. BASIC DIE DIMENSIONS MUST BE PER MIL-C-22520/5D.
 10. DO NOT SCALE THIS DRAWING.
 11. DIMENSIONS AND REQUIREMENTS ARE APPLICABLE TO BOTH DIE HALVES.
- 12 THE .510 DIMENSION IS THE CENTER LINE FOR CAVITY 'A'.

AMPHENOL PART No.	DANIELS PART No.	DIMENSIONS			CABLE TYPE: RG-()/U	CONNECTOR SERIES
		±.003 "A"	±.003 "B"	±.010 "D"		
227-1221-6001		.612	.176	.188	TWB-6001-TC	N

UNLESS OTHERWISE SPECIFIED, DIMENSIONS ARE IN INCHES AND TOLERANCES ARE: 2 PLACE DECIMAL ±.015 (0,381 mm) 3 PLACE DECIMAL ±.005 (0,127 mm) ANGLES ± 1'	MATERIAL MATERIAL SEE NOTE 2. QQ-B-628, CLASS B FINISH SEE NOTE 3.	DRAWN C. McGRATH DATE 2/15/96	TITLE HEX CRIMP DIE	Amphenol Amphenol Corporation RF/Microwave Operations Danbury, Conn. U.S.A. 06810
	REFERENCE	ENGINEER	DATE	
NOTICE - These drawings, specifications, or other data (1) are, and remain the property of Amphenol Corp. (2) must be returned upon request; and (3) are confidential and not to be disclosed to any person other than those to whom they are given by Amphenol Corp. The furnishing of these drawings, specifications, or other data by Amphenol Corp., or to any other person to anyone for any purpose is not to be regarded by implication or otherwise in any manner licensing, granting rights or permitting such holder or any other person to manufacture, use or sell any product, process or design, patented or otherwise, that may in any way be related to or disclosed by said drawings, specifications, or other data.		APPROVED <i>[Signature]</i> DATE 19 Mar 96	SCALE: 1:1	SHEET OF
		CAD FILE F:\DEPT611\TOOLS\227\12216001	CODE ID 74868	DWG SIZE B
				REV A