



Chipsmall Limited consists of a professional team with an average of over 10 year of expertise in the distribution of electronic components. Based in Hongkong, we have already established firm and mutual-benefit business relationships with customers from,Europe,America and south Asia,supplying obsolete and hard-to-find components to meet their specific needs.

With the principle of “Quality Parts,Customers Priority,Honest Operation,and Considerate Service”,our business mainly focus on the distribution of electronic components. Line cards we deal with include Microchip,ALPS,ROHM,Xilinx,Pulse,ON,Everlight and Freescale. Main products comprise IC,Modules,Potentiometer,IC Socket,Relay,Connector.Our parts cover such applications as commercial,industrial, and automotives areas.

We are looking forward to setting up business relationship with you and hope to provide you with the best service and solution. Let us make a better world for our industry!



Contact us

Tel: +86-755-8981 8866 Fax: +86-755-8427 6832

Email & Skype: info@chipsmall.com Web: www.chipsmall.com

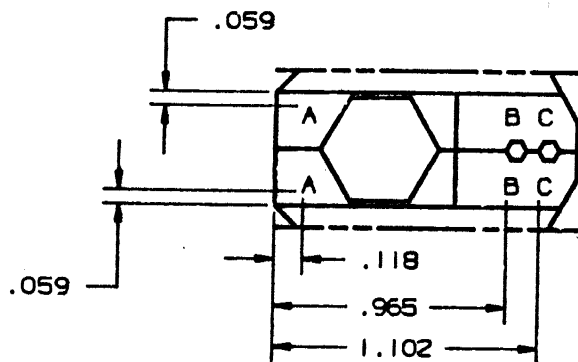
Address: A1208, Overseas Decoration Building, #122 Zhenhua RD., Futian, Shenzhen, China



11

DO NOT SCALE THIS DRAWING

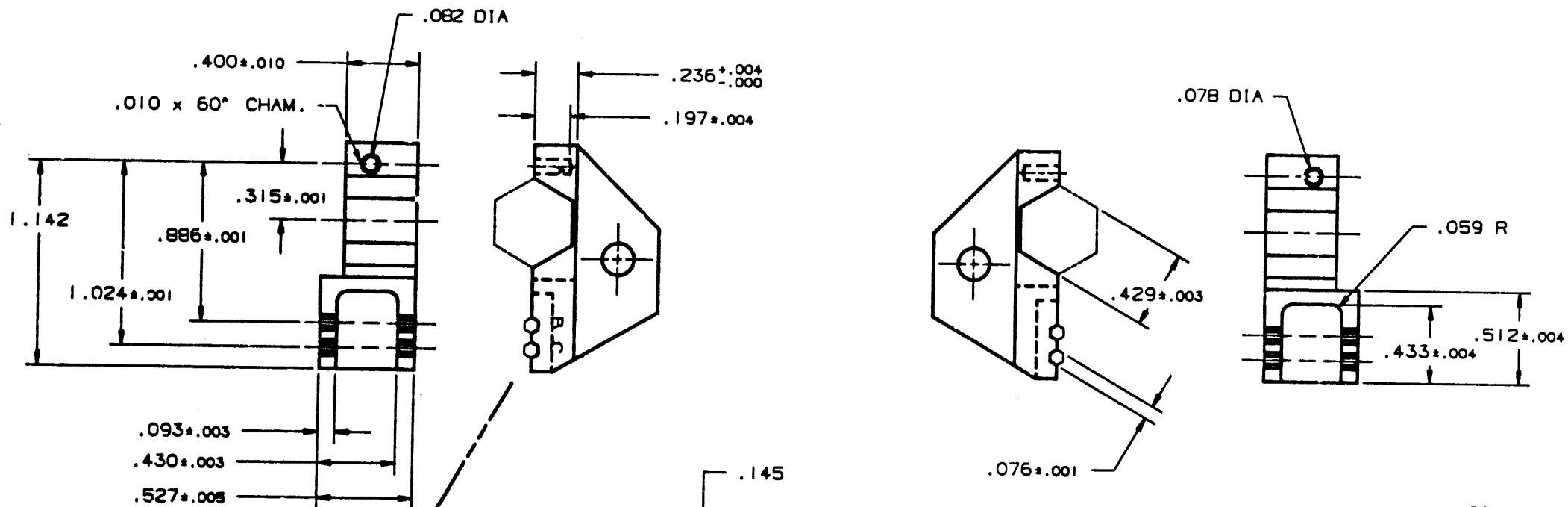
REVISIONS				
SYM	DESCRIPTION	DATE	E.C.O. NO.	APPR.
A	OFFICIAL ENG. RELEASE TO MFG.	12/12/88	35-43	DR



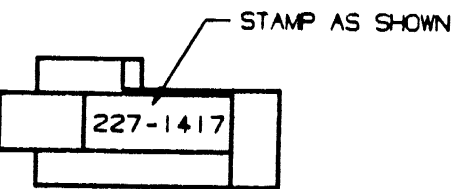
DIES ALIKE IF NOT OTHERWISE STATED. MARKING ALIGNED WITH CAVITIES STAMPED LETTERS A, B & C. TEXT HEIGHT 1/16.

11

58



227-1417
DRAWING NUMBER ISSUE
A



NOTES:

1. MATERIAL: CRIMPING DIES - TOOL STEEL. HEAT TREAT TO ROCKWELL C52-60
2. FINISH: FINISH ON CRIMPING SURFACES 32 MICROINCHES MAX. BLACK OXIDE COATING PER MIL-C-13924.
3. USE WITH 227-987 HANDLE.
4. USE TO CRIMP 82-5589CC TWIN PLUG.

.004 R TYP

.114±.004

PART NO.	QUAN	UOM	DESCRIPTION	CODE	FINISH
LIST OF MATERIAL					

REMOVE ALL BURRS, BREAK CORNERS AND SHARP EDGES 90° MAXIMUM UNLESS OTHERWISE SPECIFIED.

NOTICE - These drawings, specifications or other data (1) are, and remain the property of Amphenol Corp. (2) must be returned upon request; and (3) are confidential and are not to be disclosed to any person other than those to whom they are given by Amphenol Corp. The furnishing of these drawings, specifications, or other data by Amphenol Corp. or by any other person to anyone for any purpose is not to be regarded by implication or otherwise as in any manner (a) granting rights or permitting such holder or any other person to manufacture, use or sell any product, process or design, patented or otherwise, that may in any way be related to or disclosed by said drawings, specifications or other data.

NEXT ASSY	USE' ON	UNLESS OTHERWISE SPECIFIED DIMENSIONS ARE IN INCHES. TOLERANCES NOT OTHERWISE SPECIFIED ARE:	DRAWN BY	DATE	TITLE
NOTE 1		2 PLACE DECIMAL ±.015 (0.381 mm)	TERRI ALBERA	11-2-88	DIE SET
NOTE 2		3 PLACE DECIMAL ±.005 (0.127 mm)	DATE	12-9-88	
		REFERENCE DRAWING NO.	ENGINEER	12-2-88	
		EAR 70264-2 PRESSMASTER 4100-2054	DATE	12-14-88	

SCALE	SHEET	OF	ISSUE
2:1			A

8.5"

11"

11

11

58

8.5"

11"