



Chipsmall Limited consists of a professional team with an average of over 10 year of expertise in the distribution of electronic components. Based in Hongkong, we have already established firm and mutual-benefit business relationships with customers from,Europe,America and south Asia,supplying obsolete and hard-to-find components to meet their specific needs.

With the principle of “Quality Parts,Customers Priority,Honest Operation,and Considerate Service”,our business mainly focus on the distribution of electronic components. Line cards we deal with include Microchip,ALPS,ROHM,Xilinx,Pulse,ON,Everlight and Freescale. Main products comprise IC,Modules,Potentiometer,IC Socket,Relay,Connector.Our parts cover such applications as commercial,industrial, and automotives areas.

We are looking forward to setting up business relationship with you and hope to provide you with the best service and solution. Let us make a better world for our industry!



Contact us

Tel: +86-755-8981 8866 Fax: +86-755-8427 6832

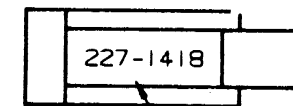
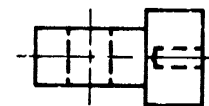
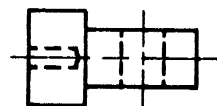
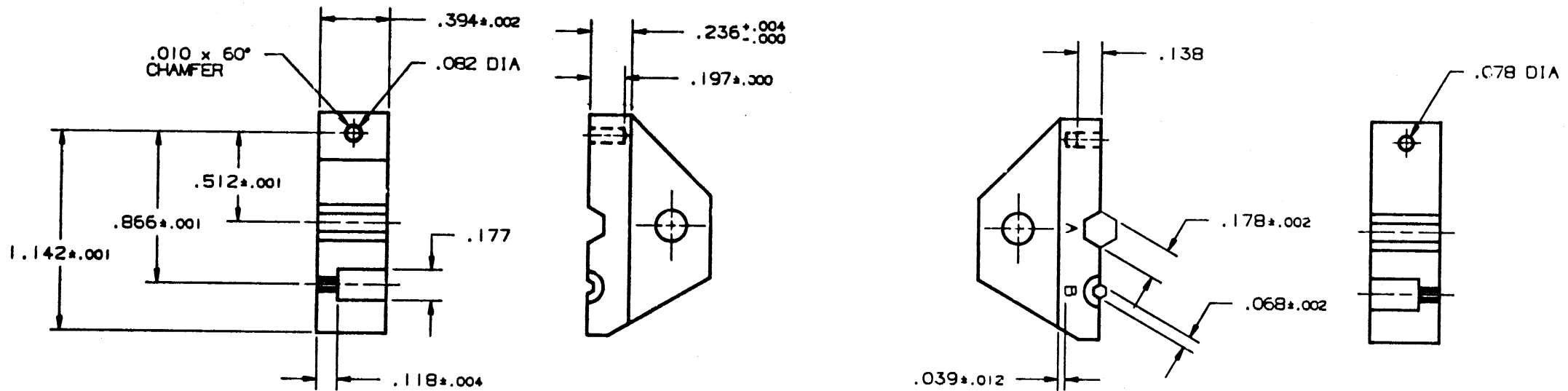
Email & Skype: info@chipsmall.com Web: www.chipsmall.com

Address: A1208, Overseas Decoration Building, #122 Zhenhua RD., Futian, Shenzhen, China



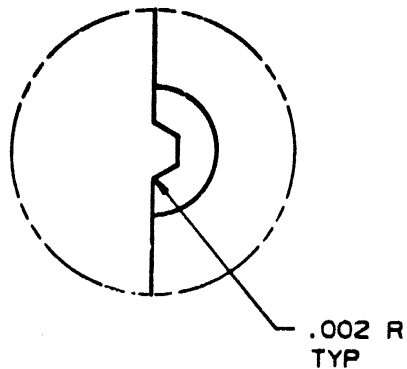
DO NOT SCALE THIS DRAWING

REVISIONS				
SYM	DESCRIPTION	DATE	E.C.O. NO.	APPR.
A	OFFICIAL ENG. RELEASE TO MFG.	12/14/88	36043	DR



227-1418
DRAWING NUMBER ISSUE
A

STAMP AS SHOWN.



NOTES:

1. MATERIAL: CRIMPING DIES - TOOL STEEL. HEAT TREAT TO ROCKWELL C52-60
2. FINISH: FINISH ON CRIMPING SURFACES 32 MICROINCHES MAX. BLACK OXIDE COATING PER MIL-C-13924.
3. USE WITH 227-987 HANDLE.
4. REF: MIL CRIMP TOOL DIE SET EQUIVALENT IS 227-1221-09.
5. USE TO CRIMP ON CABLES RG122, RG180, RG195, RG174, RG179, RG187, RG188, RG316 AND ESSEX 21-597.

DIES ALIKE IF NOT OTHERWISE STATED. MARKING ALIGNED WITH CAVITIES STAMPED LETTERS A & B. TEXT HEIGHT 1/16.

PART NO.	QUAN	UOM	REV	DATE	DESCRIPTION	CODE	FINISH
LIST OF MATERIAL							

REMOVE ALL BURRS, BREAK CORNERS AND SHARP EDGES TO MAXIMUM UNLESS OTHERWISE SPECIFIED.

NOTICE - These drawings, specifications, or other data (1) are, and remain, the property of Amphenol Corp. (2) must be returned upon request, and (3) are confidential and are not to be disclosed to any person other than those to whom they are given by Amphenol Corp. The furnishing of these drawings, specifications, or other data by Amphenol Corp. or by any other person to anyone for any purpose is not to be regarded by implication or otherwise as in any manner licensing, granting rights or permitting such holder or any other person to manufacture, use or sell any product, process or design patented or otherwise, that may in any way be related to or disclosed by said drawings, specifications or other data.

NEXT ASSY	USED ON	UNLESS OTHERWISE SPECIFIED DIMENSIONS ARE IN INCHES. TOLERANCES NOT OTHERWISE SPECIFIED ARE:	DRAWN BY	DATE	TITLE
NOTE 1		3 PLACE DECIMAL ± .018 (0.381 mm)	TERRI ALBERA	11-2-88	DIE SET
NOTE 2		3 PLACE DECIMAL ± .008 (0.127 mm)	D. ROYCE	12-9-88	
FINISH		REFERENCE DRAWING NO.	ENGINEER	DATE	Amphenol Corporation RF/Microwave Operations Danbury, Conn. U.S.A.
		EAR 70264-2 PRESSMASTER 4100-1947	D. ROYCE	12-9-88	
			QUALITY ASSURANCE	DATE	SCALE 2:1 SHEET OF
				12/14/88	74868 C 227-1418
				12/14/88	ISSUE A