



Chipsmall Limited consists of a professional team with an average of over 10 year of expertise in the distribution of electronic components. Based in Hongkong, we have already established firm and mutual-benefit business relationships with customers from,Europe,America and south Asia,supplying obsolete and hard-to-find components to meet their specific needs.

With the principle of “Quality Parts,Customers Priority,Honest Operation,and Considerate Service”,our business mainly focus on the distribution of electronic components. Line cards we deal with include Microchip,ALPS,ROHM,Xilinx,Pulse,ON,Everlight and Freescale. Main products comprise IC,Modules,Potentiometer,IC Socket,Relay,Connector.Our parts cover such applications as commercial,industrial, and automotives areas.

We are looking forward to setting up business relationship with you and hope to provide you with the best service and solution. Let us make a better world for our industry!



Contact us

Tel: +86-755-8981 8866 Fax: +86-755-8427 6832

Email & Skype: info@chipsmall.com Web: www.chipsmall.com

Address: A1208, Overseas Decoration Building, #122 Zhenhua RD., Futian, Shenzhen, China



NOTICE: These drawings, specifications or other data (1) are, if so stated, the property of Bunker-Ramo Corporation and shall be returned upon request, and (2) are confidential and are not to be disclosed to any person other than those to whom they are given by Bunker-Ramo Corporation. The furnishing of these drawings, specifications or other data by Bunker-Ramo Corporation, or by any other person, in any form or by any means, is to be approved by application or reference to the person issuing, granting, or transmitting such data, and no person shall be held liable for any product, process or design, patented or otherwise, that may in any way be related to or disclosed by said drawings, specifications or other data.

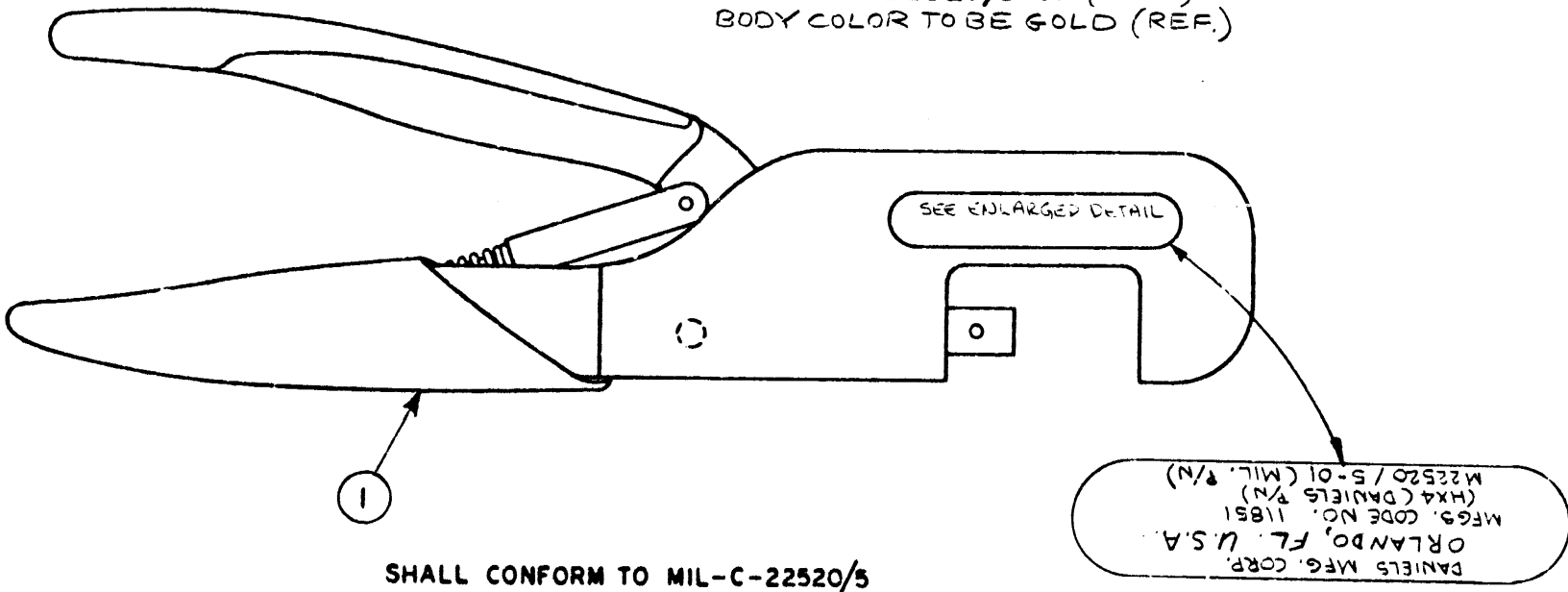
DO NOT SCALE THIS DRAWING

REMOVE ALL BURRS, BREAK CORNERS AND SHARP EDGES .005 MAXIMUM UNLESS OTHERWISE SPECIFIED.

REVISIONS					
ZONE	SYM.	DESCRIPTION	DATE	ECO NO.	APPR.
	A	ADDED COLOR SPEC.	1-3-74	20138	OR
	B	REVISED ENLARGED LABEL	1-27-77	24971	CR
	C	DEL ITEM 2; UPDATE ADDRESS	1/23/99	42604	CR

NOTES:
 1. MAY BE PURCHASED FROM:
DANIELS TOOL CO.
 ORLANDO, FL. U.S.A.
 AS DANIELS TOOL FRAME HX4

PART NO. M22520/5-01 (REF.)
 BODY COLOR TO BE GOLD (REF.)



SHALL CONFORM TO MIL-C-22520/5

2. FRAME TO BE PACKAGED IN A CARDBOARD BOX WITH DIE INSTALLATION INSTRUCTIONS, BOTH SUPPLIED BY DANIELS MFG. CORP. AMPHENOL PART NO. MUST APPEAR ON TOP SIDE OF BOX.
 SIZE: 11 1/2" LGH. X 3" WIDE X 1 1/8" HT.

227-944
 DRAWING NUMBER C

1	1	227-943	CRIMP TOOL FRAME	203	
REQ'D	ITEM	PART NO.	DESCRIPTION	CODE	FINISH

LIST OF MATERIAL

UNLESS OTHERWISE SPECIFIED DIMENSIONS ARE IN INCHES. TOLERANCES NOT OTHERWISE SPECIFIED ARE:		
FRACTIONS	DECIMALS	ANGLES
± 1/16"	± .005	± 1°
MATERIAL	—————	
SPECIFICATION	—————	
FINISH	—————	
NEXT ASSY:	USED ON	
APPLICATION		

DATE: 8-18-77 CHECKED: H. C. ... ENGINEER: H. C. ... APP'D: J. ...	TITLE: CRIMP TOOL FRAME (PACKAGED)	AMPHENOL AMPHENOL RF DIVISION 33 East Franklin St. Danbury, Conn. 06810
REFERENCE DRAWING NO.:	CODE IDENTIFICATION: C	DRAWING NO. 227-944
ISSUE: C		

OFFICIAL ENG. REL. 20037