



Chipsmall Limited consists of a professional team with an average of over 10 year of expertise in the distribution of electronic components. Based in Hongkong, we have already established firm and mutual-benefit business relationships with customers from,Europe,America and south Asia,supplying obsolete and hard-to-find components to meet their specific needs.

With the principle of "Quality Parts,Customers Priority,Honest Operation,and Considerate Service",our business mainly focus on the distribution of electronic components. Line cards we deal with include Microchip,ALPS,ROHM,Xilinx,Pulse,ON,Everlight and Freescale. Main products comprise IC,Modules,Potentiometer,IC Socket,Relay,Connector.Our parts cover such applications as commercial,industrial, and automotives areas.

We are looking forward to setting up business relationship with you and hope to provide you with the best service and solution. Let us make a better world for our industry!



Contact us

Tel: +86-755-8981 8866 Fax: +86-755-8427 6832

Email & Skype: info@chipsmall.com Web: www.chipsmall.com

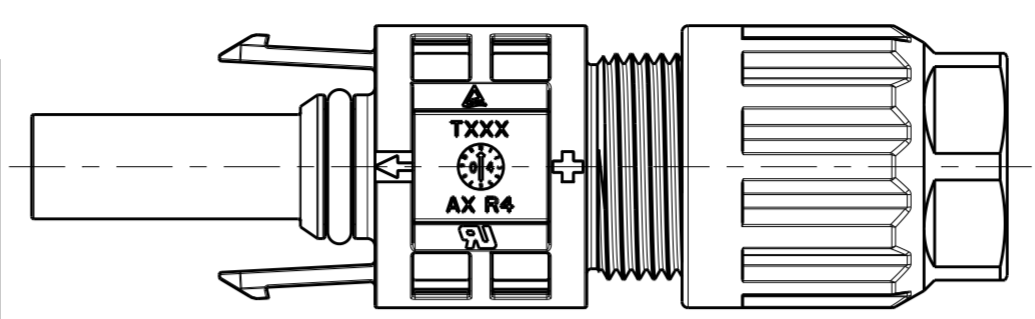
Address: A1208, Overseas Decoration Building, #122 Zhenhua RD., Futian, Shenzhen, China



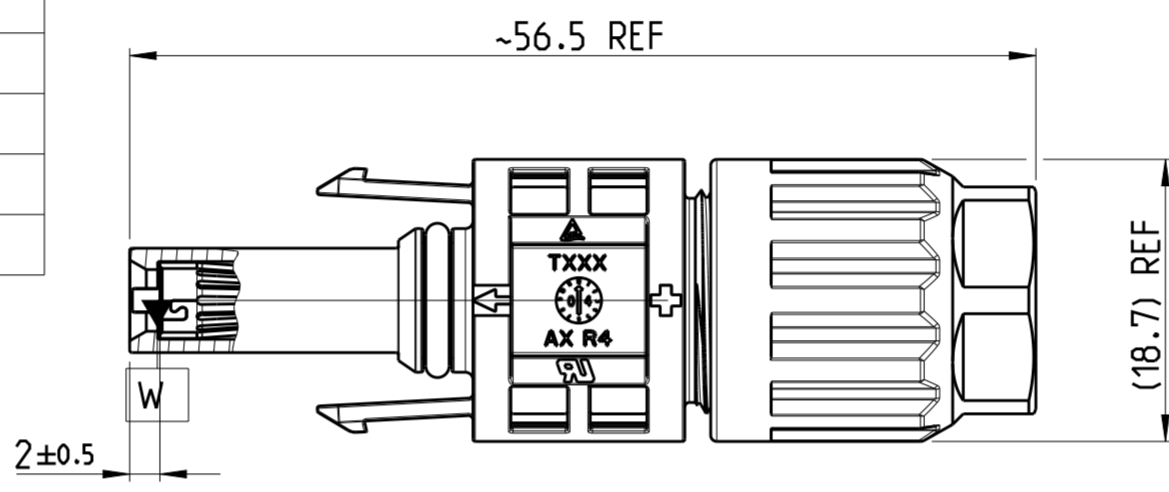
LOC	DIST	REVISIONS					
		P	LTR	DESCRIPTION	DATE	DWN	APVD
-	-	A5		ADD PV4-S1 RATING INFORMATION	25MAY2016	LW	PY
		A6		ADD NOTE 4	18JUL2016	SG	PY

1 SPECIFICATION:

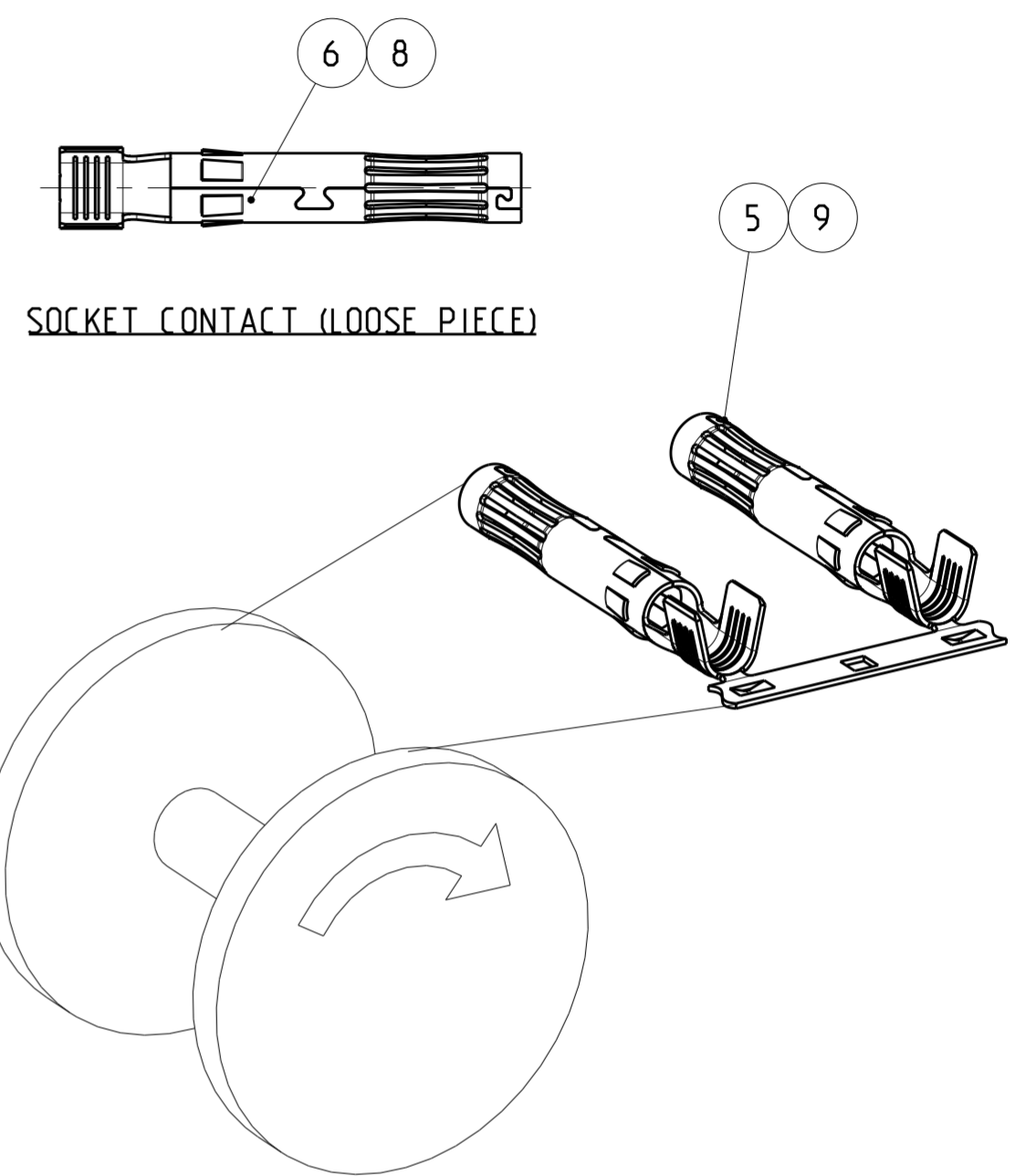
CABLE CONDUCTOR SIZE	2.5MM2/14AWG	4.0MM2/AWG12	6.0MM2/AWG10
RATED CURRENT (AT 85°C AMBIENT)	UL 15A DC TUV 25A DC	UL 20A DC TUV 35A DC	UL 30A DC TUV 40A DC
RATED VOLTAGE	PV4-S: UL 1000V DC / TUV 1000V DC PV4-S1: UL 1500V DC / TUV 1500V DC		
DEGREE OF PROTECTION, MATED	IP 68 (1m, 24h)		
AMBIENT TEMPERATURE RANGE	-40°C ~ +85°C		
OVERVOLTAGE CATEGORY	III		
POLLUTION DEGREE	2		
CONTACT RESISTANCE	0.5mΩ		
CONTACT MATERIAL	COPPER, TIN PLATED		
INSULATION MATERIAL	THERMOPLASTIC, UL94-V0		
SAFETY CLASS	II		
STRIP LENGTH	6.5mm		
CABLE JACKET DIAMETER	5.5~7.8mm		



PREASSEMBLED VIEW AS SHOWN



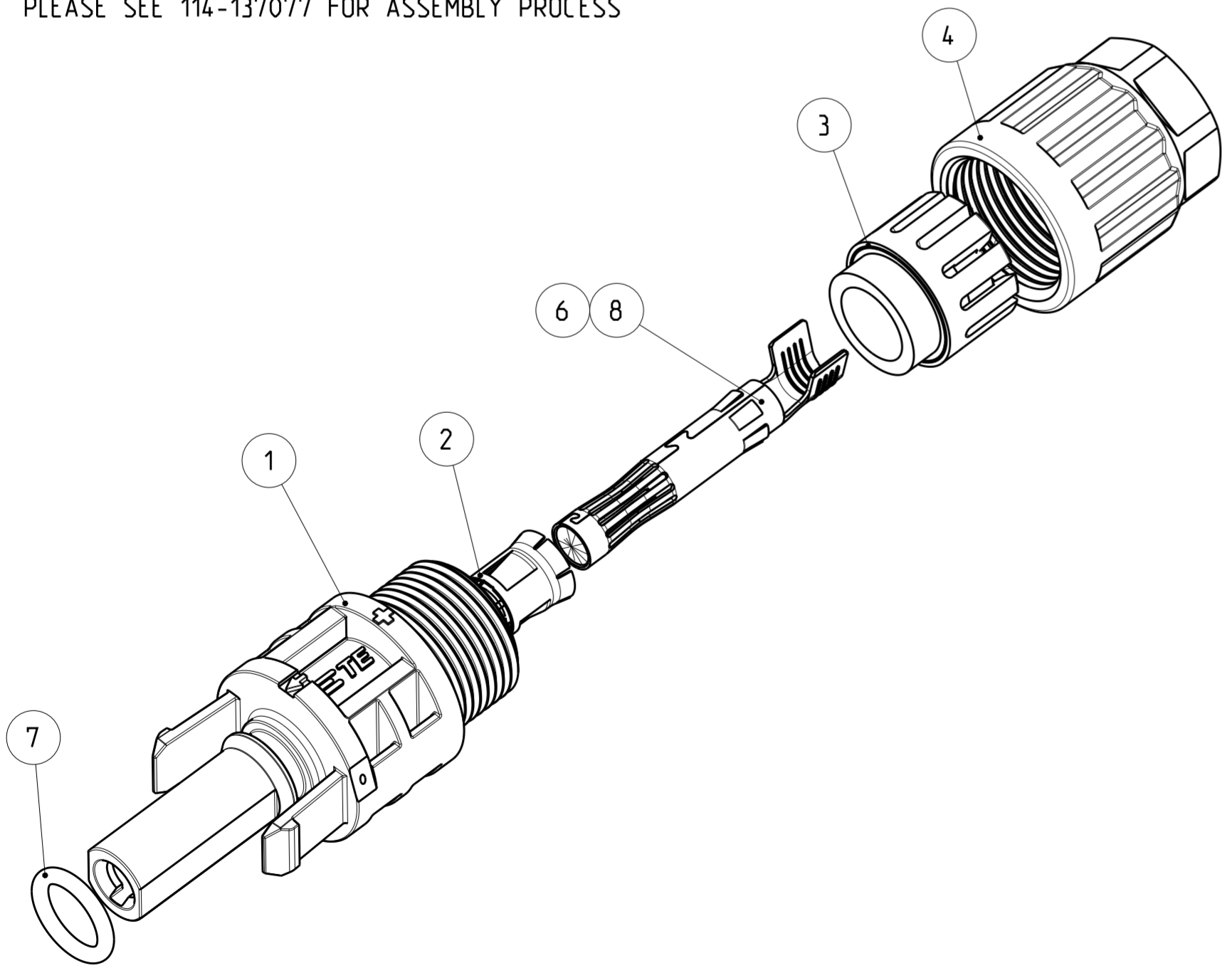
ASSEMBLED VIEW AS SHOWN



STRIP CONTACT COME OFF TO ASSEMBLY
 2000 PCS CONTACTS MOUNTED REEL
 REEL TYPE SUBJECT TO ALTERNATION -1 AS SHOWN

2 CONTACT SHOWN UNINSTALLED, FOR REFERENCE ONLY

- 3 USE ONLY CRIMPING TOOL OF TE CONNECTIVITY TO CRIMP CONTACT.
 A. CRIMPING TOOL PN 6-1579014-9 WILL BE USED FOR CRIMPING THE CONTACTS HAVING WIRE SIZE 2.5mm² AND 4.0mm².
 B. CRIMPING TOOL PN 6-1579014-8 WILL BE USED FOR CRIMPING THE CONTACTS HAVING WIRE SIZE 4.0mm² AND 6.0mm².
 4. PLEASE SEE 114-137077 FOR ASSEMBLY PROCESS



CONNECTOR ASSEMBLY SHOWN EXPLODED VIEW FOR REFERENCE ONLY

2- -4	1- -4	-4	2- -2	2- -1	1- -2	1- -1	-2	-1	PART NUMBER	
100	2000	1000	100	2000	1000				PACKAGING QTY.	
	5.5~6.0		5.5~6.0	6.0~7.8	5.5~6.0	6.0~7.8	5.5~6.0	6.0~7.8	CABLE JACKET DIAMETER in mm	
-	1	-	-	-	-	-	-	-	SOCKET CONTACT, 2.5mm ² /14AWG, STRIP	9
1	-	1	-	-	-	-	-	-	SOCKET CONTACT, 2.5mm ² /14AWG, LOOSE PIECE	8
1	1	1	1	1	1	1	1	1	O-RING, 7.1X1.55 (RED)	7
-	-	-	1	1	-	-	1	1	SOCKET CONTACT, 4~6mm ² /10~12AWG, LOOSE PIECE	6
-	-	-	-	-	1	1	-	-	SOCKET CONTACT, 4~6mm ² /10~12AWG, STRIP	5
1	1	1	1	1	1	1	1	1	CABLE SCREW JOINT	4
1	1	1	1	1	1	1	1	1	PINCH RING SEAL INMOLDED, ASSY	3
1	1	1	1	1	1	1	1	1	METAL CLIP	2
1	1	1	1	1	1	1	1	1	PV4-S SOCKET CONNECTOR, PLUS CODED	1
QUANTITY PER ASSEMBLY									DESCRIPTION	ITEM No

THIS DRAWING IS A CONTROLLED DOCUMENT.

DIMENSIONS: mm

TOLERANCES UNLESS OTHERWISE SPECIFIED:
 0 PLC ±
 1 PLC ±
 2 PLC ±
 3 PLC ±
 4 PLC ±
 ANGLES ±
 FINISH

MATERIAL: -

DWN: WANG LORRY 13JUN2014
 CHK: TAO DANIEL 13JUN2014
 APVD: PETER YIN 13JUN2014

PRODUCT SPEC: 108-137077
 APPLICATION SPEC: 114-137077

WEIGHT: -

CUSTOMER DRAWING

NAME: SOCKET CONNECTOR KITS
 PV4-S/S1 CONNECTOR, PV4-SF*/S1F*

SIZE: A2
 CAGE CODE: 00779
 DRAWING NO: C-2270025

RESTRICTED TO: -

SCALE: 1:1
 SHEET: 1 OF 1
 REV: A6