



Chipsmall Limited consists of a professional team with an average of over 10 year of expertise in the distribution of electronic components. Based in Hongkong, we have already established firm and mutual-benefit business relationships with customers from,Europe,America and south Asia,supplying obsolete and hard-to-find components to meet their specific needs.

With the principle of “Quality Parts,Customers Priority,Honest Operation,and Considerate Service”,our business mainly focus on the distribution of electronic components. Line cards we deal with include Microchip,ALPS,ROHM,Xilinx,Pulse,ON,Everlight and Freescale. Main products comprise IC,Modules,Potentiometer,IC Socket,Relay,Connector.Our parts cover such applications as commercial,industrial, and automotives areas.

We are looking forward to setting up business relationship with you and hope to provide you with the best service and solution. Let us make a better world for our industry!



Contact us

Tel: +86-755-8981 8866 Fax: +86-755-8427 6832

Email & Skype: info@chipsmall.com Web: www.chipsmall.com

Address: A1208, Overseas Decoration Building, #122 Zhenhua RD., Futian, Shenzhen, China



Miniature solid-state relay - SIM-EI-110DC/48DC/100 - 2271099

Please be informed that the data shown in this PDF Document is generated from our Online Catalog. Please find the complete data in the user's documentation. Our General Terms of Use for Downloads are valid (<http://phoenixcontact.com/download>)



Input solid-state relay, with protective circuit in input and output circuits, input: 110 V DC, output: 8 - 48 V DC/100 mA

The illustration shows version SIM-EI- 5DC/48DC/100



Key commercial data

Packing unit	1 pc
Weight per Piece (excluding packing)	20.4 GRM
Custom tariff number	85364900
Country of origin	Germany

Technical data

Dimensions

Width	13 mm
Height	29 mm
Depth	25 mm

Ambient conditions

Ambient temperature (operation)	-20 °C ... 50 °C
Ambient temperature (storage/transport)	-20 °C ... 70 °C

Input data

Nominal input voltage U_N	110 V DC ± 10 %
Input voltage range in reference to U_N	0.9 ... 1.1
Switching threshold "0" signal in reference to U_N	≤ 0.4
Switching threshold "1" signal in reference to U_N	≥ 0.8
Typical input current at U_N	2.4 mA
Type of protection	Protection against polarity reversal

Miniature solid-state relay - SIM-EI-110DC/48DC/100 - 2271099

Technical data

Input data

Protective circuit/component	Polarity protection diode
Transmission frequency	300 Hz

Output data

Output voltage range	8 V DC ... 48 V DC
Limiting continuous current	100 mA
Voltage drop at max. limiting continuous current	1 V
Output circuit	2-wire, floating
Type of protection	Protection against polarity reversal
Protective circuit/component	Polarity protection diode

General

Test voltage input/output	2.5 kV (50 Hz, 1 min.)
Mounting position	any
Assembly instructions	Can be aligned with 2 mm spacing
Operating mode	100% operating factor
Standards/regulations	DIN VDE 0110

Classifications

eCl@ss

eCl@ss 4.0	27371102
eCl@ss 4.1	27371102
eCl@ss 5.0	27371001
eCl@ss 5.1	27371001
eCl@ss 6.0	27371001
eCl@ss 7.0	27371001
eCl@ss 8.0	27371001

ETIM

ETIM 2.0	EC001504
ETIM 3.0	EC001504
ETIM 4.0	EC001504
ETIM 5.0	EC001504

UNSPSC

UNSPSC 6.01	30211916
UNSPSC 7.0901	39121542
UNSPSC 11	39121542

Miniature solid-state relay - SIM-EI-110DC/48DC/100 - 2271099

Classifications

UNSPSC

UNSPSC 12.01	39121542
UNSPSC 13.2	39121542

Approvals

Approvals

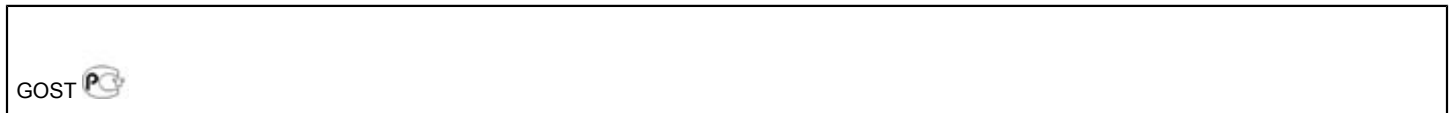
Approvals

GOST

Ex Approvals

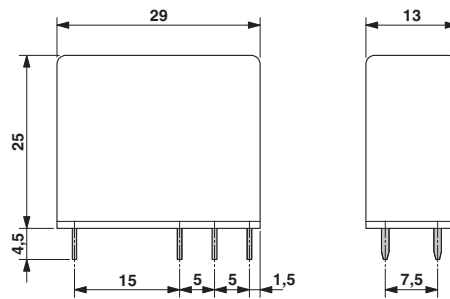
Approvals submitted

Approval details



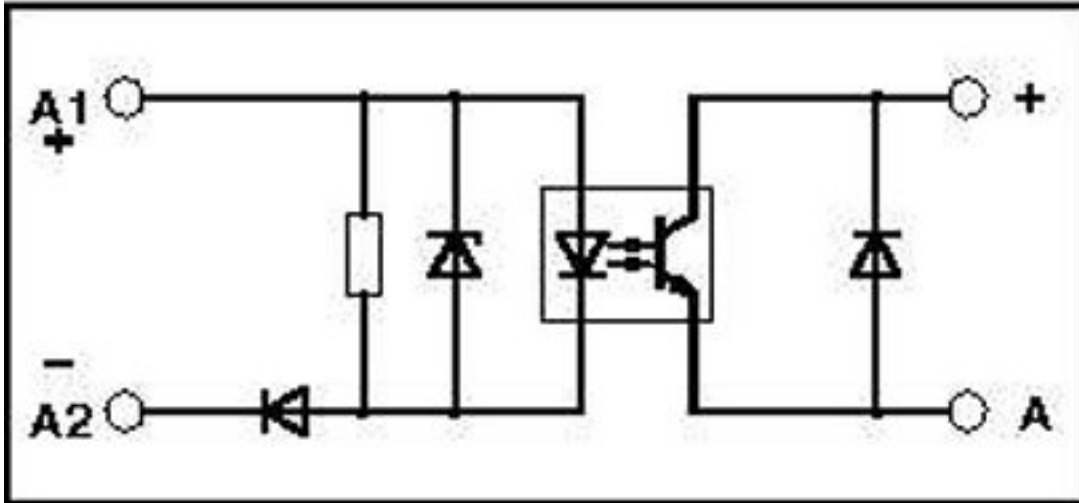
Drawings

Dimensioned drawing

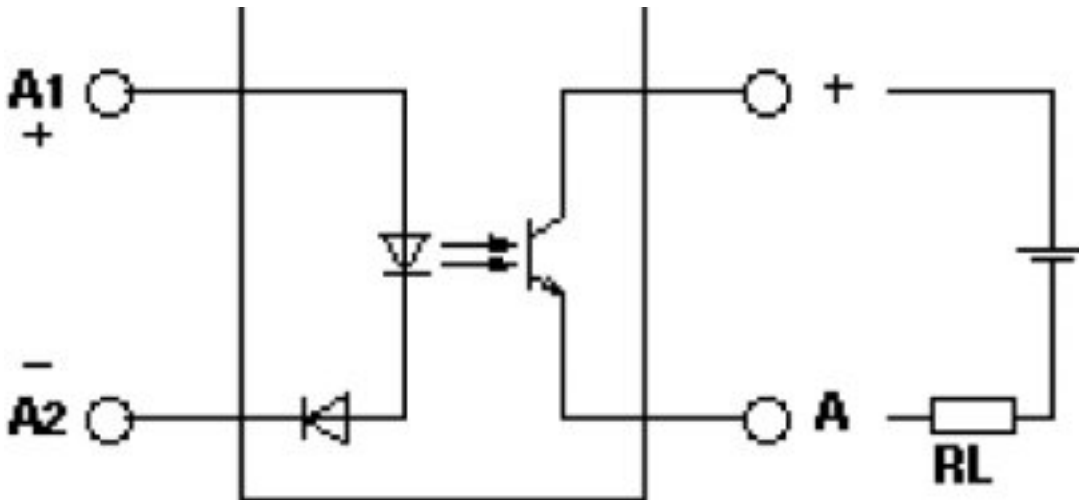


Miniature solid-state relay - SIM-EI-110DC/48DC/100 - 2271099

Circuit diagram



Circuit diagram



Miniature solid-state relay - SIM-EI-110DC/48DC/100 - 2271099

Schematic diagram

