



Chipsmall Limited consists of a professional team with an average of over 10 year of expertise in the distribution of electronic components. Based in Hongkong, we have already established firm and mutual-benefit business relationships with customers from,Europe,America and south Asia,supplying obsolete and hard-to-find components to meet their specific needs.

With the principle of “Quality Parts,Customers Priority,Honest Operation,and Considerate Service”,our business mainly focus on the distribution of electronic components. Line cards we deal with include Microchip,ALPS,ROHM,Xilinx,Pulse,ON,Everlight and Freescale. Main products comprise IC,Modules,Potentiometer,IC Socket,Relay,Connector.Our parts cover such applications as commercial,industrial, and automotives areas.

We are looking forward to setting up business relationship with you and hope to provide you with the best service and solution. Let us make a better world for our industry!



## Contact us

Tel: +86-755-8981 8866 Fax: +86-755-8427 6832

Email & Skype: info@chipsmall.com Web: www.chipsmall.com

Address: A1208, Overseas Decoration Building, #122 Zhenhua RD., Futian, Shenzhen, China



4

3

2

1

THIS DRAWING IS UNPUBLISHED.

RELEASED FOR PUBLICATION

20

© COPYRIGHT 20

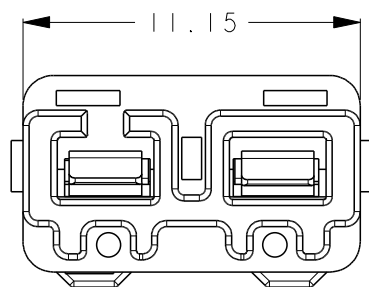
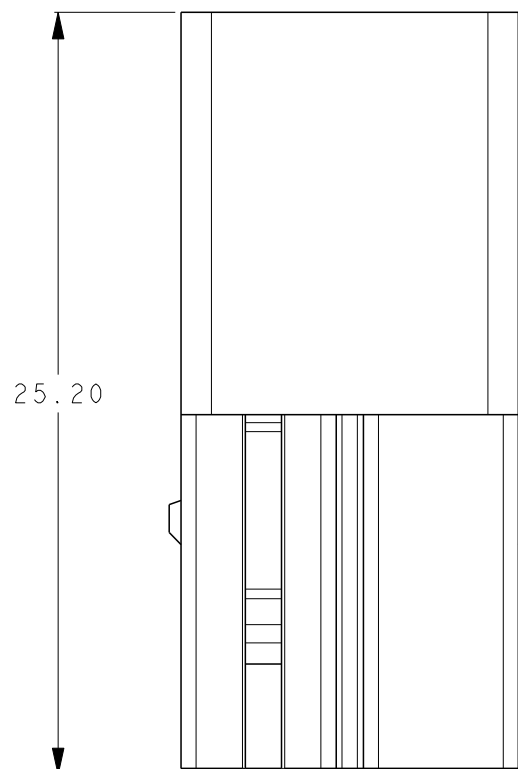
ALL RIGHTS RESERVED.

LOC  
ES

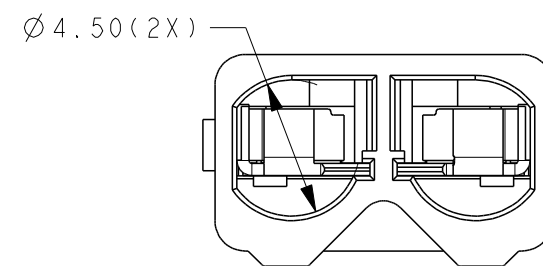
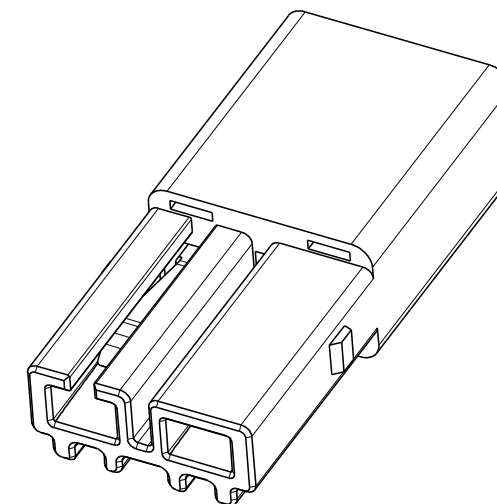
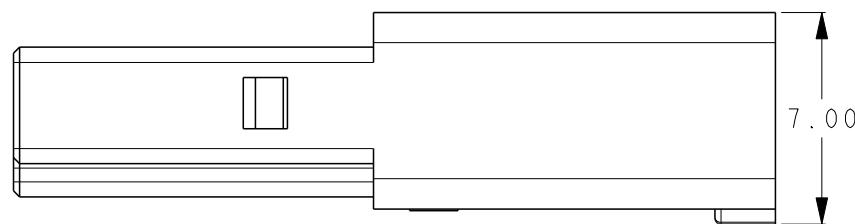
DIST

REVISIONS

P	LTR	DESCRIPTION	DATE	DWN	APVD
	A2	UDPATE PACKAGING INFORMATION	25JUN2014	M.S	X.X
	A3	NOTE 5, 6	05DEC2014	M.S	X.X
	A4	ADD NEW PN	14OCT2015	M.S	X.X
	B	ECR-16-007582	01JUN2016	M.S	X.X



SCALE 4:1



PART NUMBER	PART COLOR
2271180-1	ORANGE
2271180-2	BLACK
2271180-3	WHITE (NATURAL)

NOTES:

- 1. TE PART NUMBER: SEE TABLE.
- 2. MATERIAL: COPPER ALLOY.
- 3. HOUSING: NYLON, UL 94-V0. COLOR: ORANGE.
- 4. FINISH: TERMINAL: TIN PLATING OVERALL.
- 5. APPLICABLE MATING RECEPTACLE: 2271183 SERIES.
- 6. APPLICABLE WIRE: AWG18-22 SOLID OR TIN DIPPED STRANDED. (16 STRANDS MAX. FOR 18 AWG, 7 STRANDS MAX FOR 20-22 AWG. SEE RELATED APPLICATION SPECIFICATION AND PRODUCT SPECIFICATION)
- 7. STRIP LENGTH: 9.0-9.6mm.
- 8. PRODUCT COMPLIES TO UL 2459 REQUIREMENT AND QUALIFIED: ZMNA.E308110 ; ZMNA7.E308110

THIS DRAWING IS A CONTROLLED DOCUMENT.		DWN	18DEC2013	<b>STE</b> TE Connectivity
		CHK	SHI MING 18DEC2013	
		APVD	XU XIANG 18DEC2013	
		NAME	XU XIANG	
DIMENSIONS: mm		PRODUCT SPEC	108-137020	PLUG 2 PIN WIRE TO WIRE CONNECTOR
TOLERANCES UNLESS OTHERWISE SPECIFIED: ±0.5		APPLICATION SPEC	114-137020	
MATERIAL		WEIGHT	1.74g	SIZE
FINISH		A300779C-2271180		CAGE CODE
		CUSTOMER DRAWING		DRAWING NO
		SCALE 4:1		RESTRICTED TO
		SHEET 1 OF 3		-
		REV B		

4

3

2

1

THIS DRAWING IS UNPUBLISHED.

RELEASED FOR PUBLICATION

20

© COPYRIGHT 20

ALL RIGHTS RESERVED.

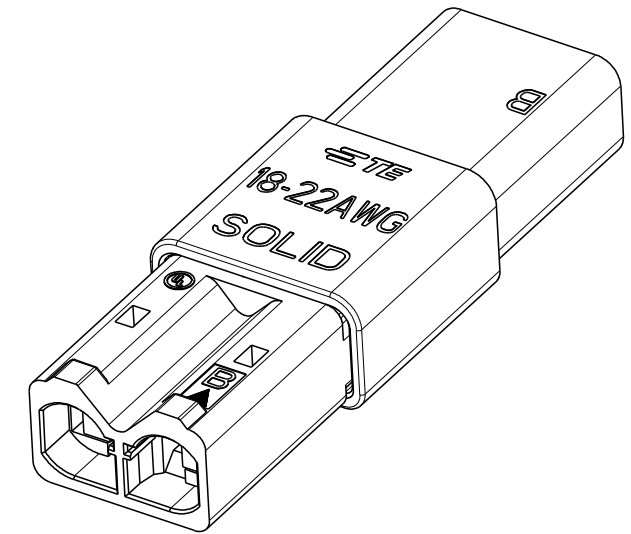
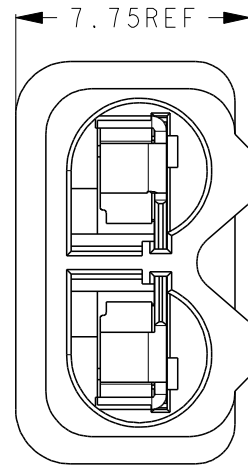
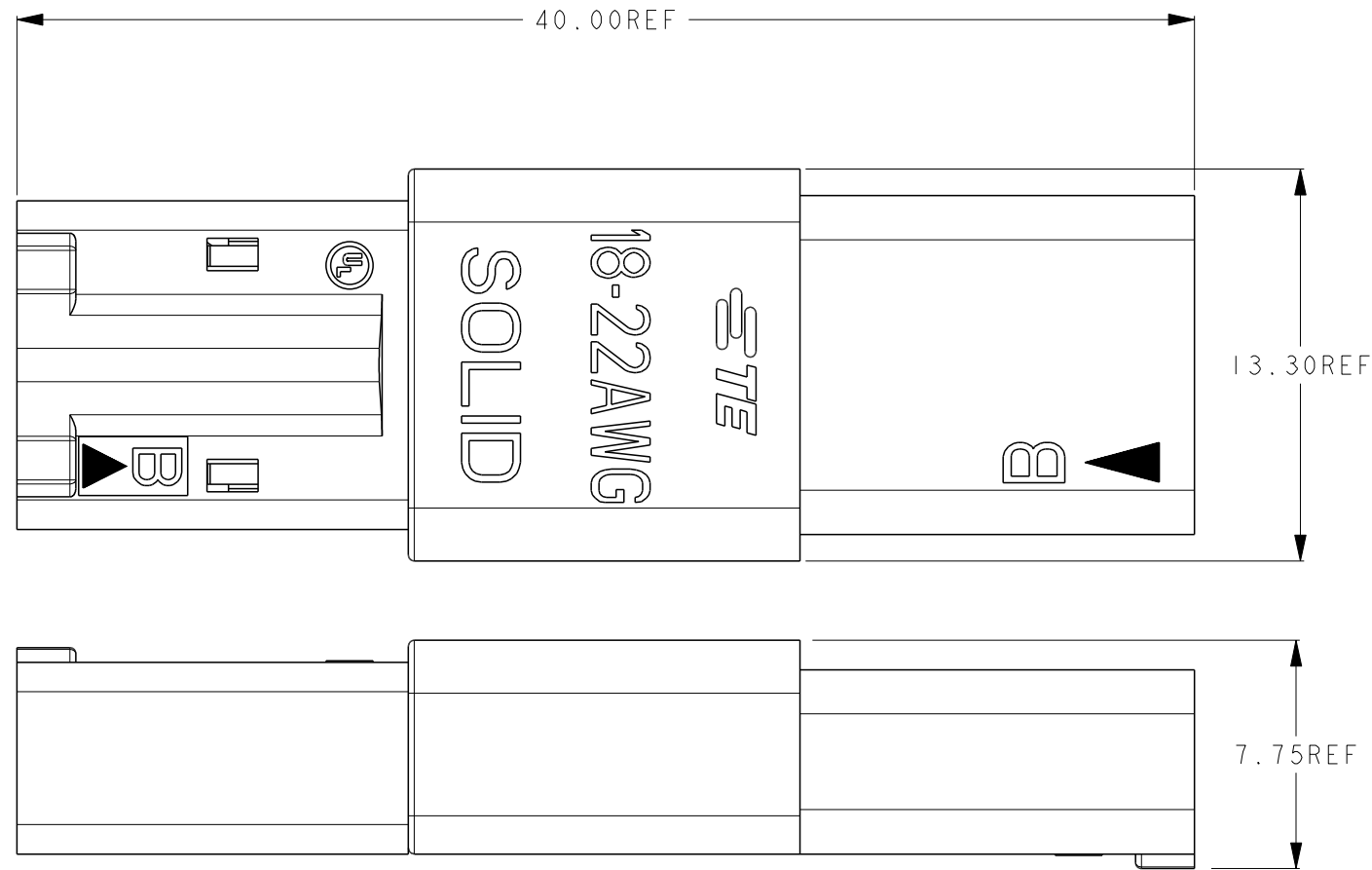
LOC  
ES



DIST

REVISIONS

P	LTR	DESCRIPTION	DATE	DWN	APVD

MATED WITH RECEPTACLE



THIS DRAWING IS A CONTROLLED DOCUMENT.		DWN	SHI MING	18DEC2013	 TE Connectivity
DIMENSIONS: mm		CHK	XU XIANG	18DEC2013	
		APVD	XU XIANG	18DEC2013	
TOLERANCES UNLESS OTHERWISE SPECIFIED: ± 0.50		PRODUCT SPEC	-		NAME
0-PLC ±		APPLICATION SPEC	-		PLUG
1-PLC ±		WEIGHT	-		2 PIN WIRE TO WIRE CONNECTOR
2-PLC ±		MATERIAL	FINISH	-	SIZE
3-PLC ±					CAGE CODE
4-PLC ±		A300779		C-2271180	-
ANGLES ±5°		CUSTOMER DRAWING		SCALE	4:1
MATERIAL		-		SHEET	2 OF 3
FINISH		-		REV	B

D  
C  
B  
A

4

3

2

1

THIS DRAWING IS UNPUBLISHED.

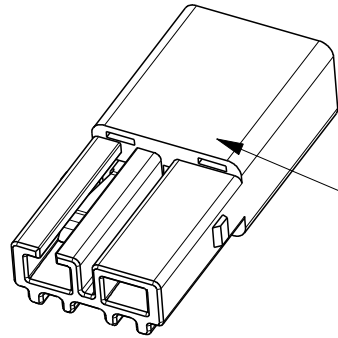
RELEASED FOR PUBLICATION

20

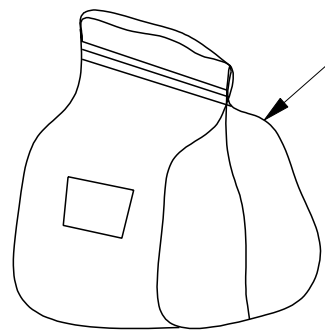
© COPYRIGHT 20

ALL RIGHTS RESERVED.

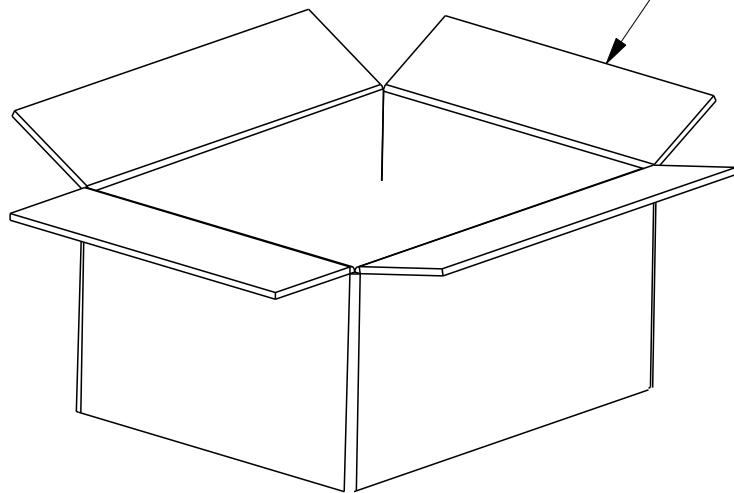
LOC	DIST	REVISIONS					
		P	LTR	DESCRIPTION	DATE	DWN	APVD
ES							



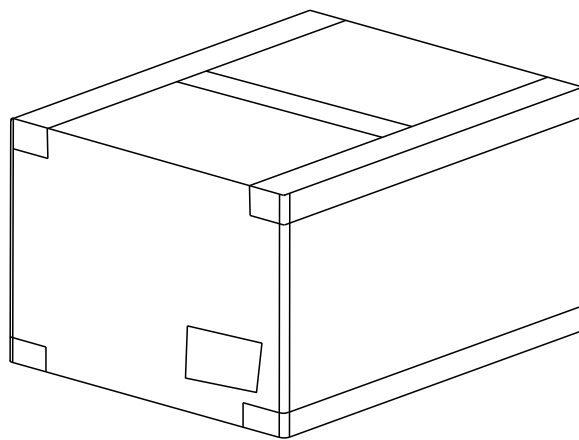
2271180-X



PLASTIC BAG



CARTON



NOTE:  
1. PACKAGING QUANTITY: SEE TABLE.

PARTS PER BAG	BAGS PER CARTON	PARTS PER CARTON
500 PCS	8	4000 PCS

THIS DRAWING IS A CONTROLLED DOCUMENT.

DIMENSIONS: mm	TOLERANCES UNLESS OTHERWISE SPECIFIED:
	0 PLC ± 1 PLC ±10 2 PLC ±5.0 3 PLC ± 4 PLC ± ANGLES ±5°
MATERIAL	FINISH
-	-

DWN	18DEC2013
CHK	SHI MING
APVD	XU XIANG
PRODUCT SPEC	XU XIANG
APPLICATION SPEC	-
WEIGHT	-
CUSTOMER DRAWING	

**STE** TE Connectivity

NAME				PLUG 2 PIN WIRE TO WIRE CONNECTOR	
SIZE	CAGE CODE	DRAWING NO	RESTRICTED TO		
A	300779	C-2271180	-		
SCALE 4:1			SHEET 3 OF 3	REV B	

D

C

B

A