



Chipsmall Limited consists of a professional team with an average of over 10 year of expertise in the distribution of electronic components. Based in Hongkong, we have already established firm and mutual-benefit business relationships with customers from,Europe,America and south Asia,supplying obsolete and hard-to-find components to meet their specific needs.

With the principle of “Quality Parts,Customers Priority,Honest Operation,and Considerate Service”,our business mainly focus on the distribution of electronic components. Line cards we deal with include Microchip,ALPS,ROHM,Xilinx,Pulse,ON,Everlight and Freescale. Main products comprise IC,Modules,Potentiometer,IC Socket,Relay,Connector.Our parts cover such applications as commercial,industrial, and automotives areas.

We are looking forward to setting up business relationship with you and hope to provide you with the best service and solution. Let us make a better world for our industry!



Contact us

Tel: +86-755-8981 8866 Fax: +86-755-8427 6832

Email & Skype: info@chipsmall.com Web: www.chipsmall.com

Address: A1208, Overseas Decoration Building, #122 Zhenhua RD., Futian, Shenzhen, China



4

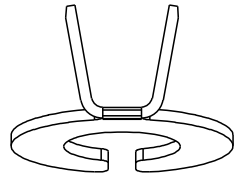
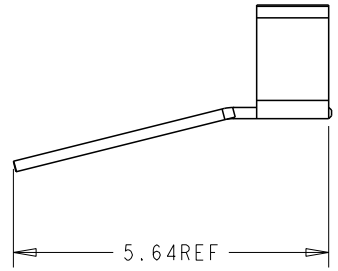
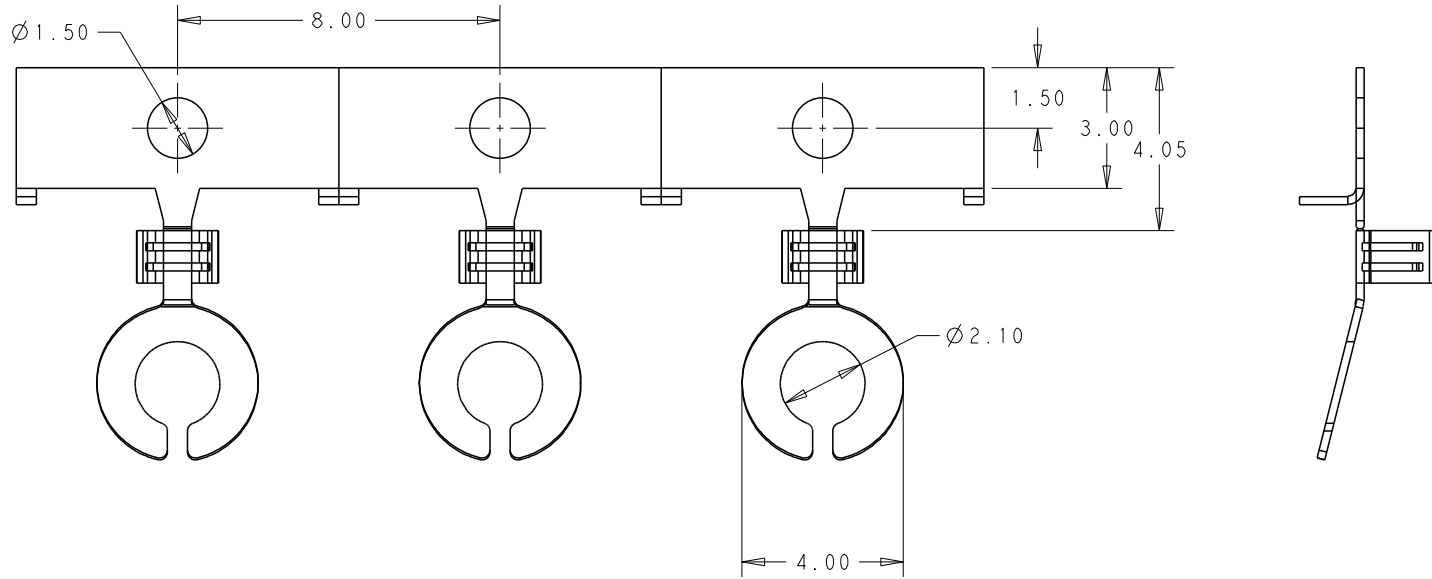
3

2

1

THIS DRAWING IS UNPUBLISHED. RELEASED FOR PUBLICATION 20
 © COPYRIGHT 20 BY - ALL RIGHTS RESERVED.

REVISIONS				
P	LTR	DESCRIPTION	DATE	DWN APVD
	A	INITIAL RELEASED	12JUN2015	W. N X. X



- NOTES
- 1 MATERIAL: STAINLESS STEEL, THICKNESS: 0.20±0.01mm
 - 2 WIRE SIZE: 22AWG~18AWG (0.32mm²~0.75mm²)

THIS DRAWING IS A CONTROLLED DOCUMENT.		DWN	19MAY2015		STE TE Connectivity
		CHK	19MAY2015		
		APVD	19MAY2015		
		NAME	Xiang Xu		
DIMENSIONS: mm		PRODUCT SPEC	108-137039		NAME CUSTOMER DRAWING FOR GROUDING CLIP
TOLERANCES UNLESS OTHERWISE SPECIFIED: 0 PLC ±- 1 PLC ±- 2 PLC ±0.20 3 PLC ±- 4 PLC ±- ANGLES ±-		APPLICATION SPEC	114-137039		
MATERIAL TBD		WEIGHT	-		SIZE A3
		FINISH	-		CAGE CODE -
					DRAWING NO C=2271285
					RESTRICTED TO -
					SCALE 8:1
					SHEET 1 OF 1
					REV A
					CUSTOMER DRAWING