



Chipsmall Limited consists of a professional team with an average of over 10 year of expertise in the distribution of electronic components. Based in Hongkong, we have already established firm and mutual-benefit business relationships with customers from,Europe,America and south Asia,supplying obsolete and hard-to-find components to meet their specific needs.

With the principle of “Quality Parts,Customers Priority,Honest Operation,and Considerate Service”,our business mainly focus on the distribution of electronic components. Line cards we deal with include Microchip,ALPS,ROHM,Xilinx,Pulse,ON,Everlight and Freescale. Main products comprise IC,Modules,Potentiometer,IC Socket,Relay,Connector.Our parts cover such applications as commercial,industrial, and automotives areas.

We are looking forward to setting up business relationship with you and hope to provide you with the best service and solution. Let us make a better world for our industry!



Contact us

Tel: +86-755-8981 8866 Fax: +86-755-8427 6832

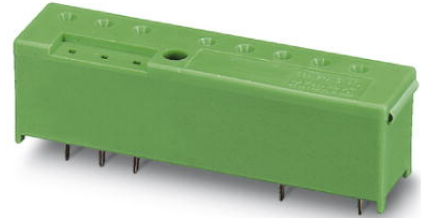
Email & Skype: info@chipsmall.com Web: www.chipsmall.com

Address: A1208, Overseas Decoration Building, #122 Zhenhua RD., Futian, Shenzhen, China



SIM-AMSC1

Order No.: 2271390

<http://eshop.phoenixcontact.de/phoenix/treeViewClick.do?UID=2271390>

Plug-in base for standard I/O modules, Generation 4 from Opto 22,
can be labeled with marker pins BN or BNB

Commercial data

EAN	4017918054274
Pack	50 pcs.
Customs tariff	85369010
Weight/Piece	0.00733 KG
Catalog page information	Page 313 (IF-2009)

Product notes

WEEE/RoHS-compliant since:
11/21/2006



<http://www.download.phoenixcontact.com>
Please note that the data given here has been taken from the online catalog. For comprehensive information and data, please refer to the user documentation. The General Terms and Conditions of Use apply to Internet downloads.

Technical data

General data

Nominal voltage U_N	250 V AC
	380 V AC
Nominal current I_N	5 A
Pin dimensions	1,1 x 0,5 mm

Hole diameter	1.4 mm
Color	green
Insulating material	PA
Standards/regulations	DIN VDE 0110b, Gr. C for 250 V DC

Certificates / Approvals



Certification GOST, UL

UL

Nominal voltage U_N	300 V
Nominal current I_N	5 A

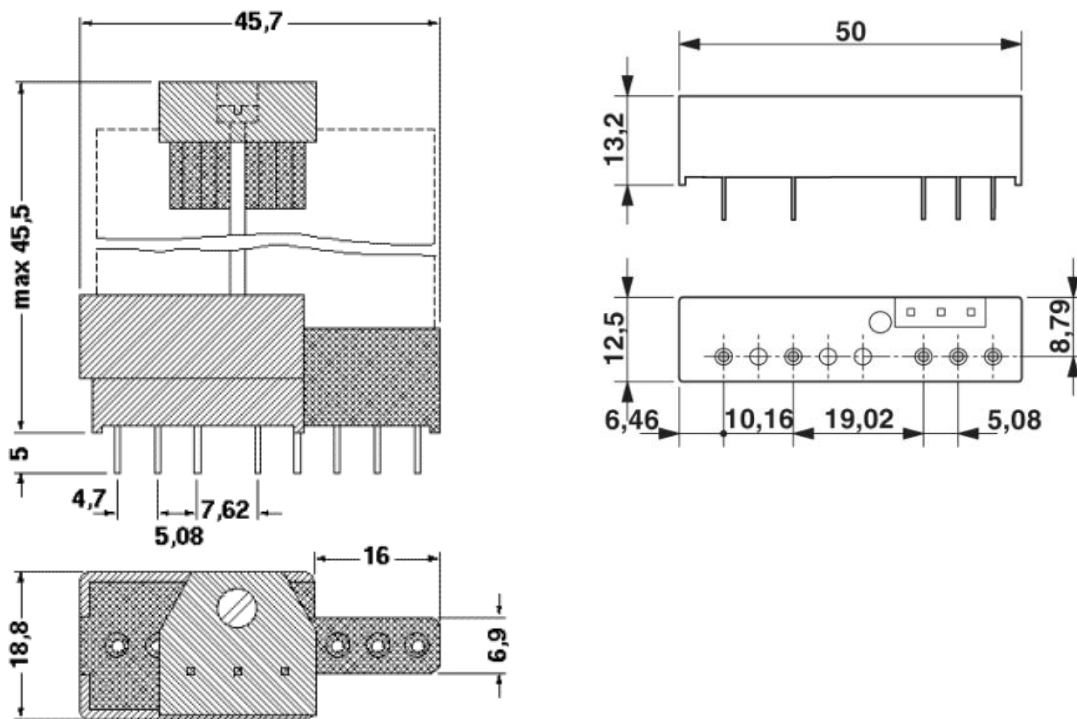
Accessories

Item	Designation	Description
Marking		
1051993	B-STIFT	Marker pen, for manual labeling of unprinted Zack strips, smear-proof and waterproof, line thickness 0.5 mm
1401404	BN WH	Marker pin, unprinted: for individual labeling with M-PEN, lettering field size: 4 x 4 mm
2701404	BN-TRK	Marker pin, lettering area 7.5 x 4 mm, unprinted for individual labeling with M-PEN
0810902	BNB WH:GROSSBUCHSTABEN	Marker pins, printed with up to 3 digits, 100 identically printed marker pins per package, printed with: Upper case letters A-Z
0810928	BNB WH:SO	Marker pins, printed with up to 3 digits, 100 identically printed marker pins per package, printed according to customer requirements
0810915	BNB WH:SYMBOLE	Marker pins, printed with up to 3 digits, 100 identically printed marker pins per package, printed with: symbols (+, -, /, ~, ERD, SERD, L1, L2, L3 PE, PEN)
0810892	BNB WH:ZAHLEN	Marker pins, printed with up to 3 digits, 100 identically printed marker pins per package, printed with: numbers 1-100
0810944	BNB- TRK:GROSSBUCHSTABEN	Marker pins, printed with up to 4 digits, 100 identically printed marker pins per package, lettering field size: 7.5 x 4 mm, printed with: Upper case letters A-Z
0810960	BNB-TRK:SO	Marker pins, printed with up to 4 digits, 100 identically printed marker pins per package, printed according to customer requirements

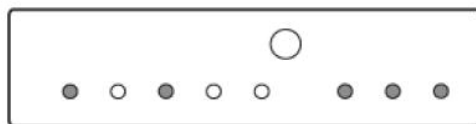
0810957	BNB-TRK:SYMBOLE	Marker pins, printed with up to 4 digits, 100 identically printed marker pins per package, lettering field size: 7.5 x 4 mm, printed with: symbols (+,-,~,/,ERD,SERD, L1,L2,L3,PE,PEN)
0810931	BNB-TRK:ZAHLEN	Marker pins, printed with up to 4 digits, 100 identically printed marker pins per package, lettering field size: 7.5 x 4 mm, printed with: numbers 0-1000
0811228	X-PEN 0,35	Marker pen without ink cartridge, for manual labeling of markers, labeling extremely wipe-proof, line thickness 0.35 mm

Diagrams/Drawings

Dimensioned drawing



Schematic diagram



Contacts in the plug-in socket:

A = with metal

B = without metal

Address

PHOENIX CONTACT Inc., USA
586 Fulling Mill Road
Middletown, PA 17057, USA
Phone (800) 888-7388
Fax (717) 944-1625
<http://www.phoenixcon.com>



© 2010 Phoenix Contact
Technical modifications reserved;