



Chipsmall Limited consists of a professional team with an average of over 10 year of expertise in the distribution of electronic components. Based in Hongkong, we have already established firm and mutual-benefit business relationships with customers from,Europe,America and south Asia,supplying obsolete and hard-to-find components to meet their specific needs.

With the principle of “Quality Parts,Customers Priority,Honest Operation,and Considerate Service”,our business mainly focus on the distribution of electronic components. Line cards we deal with include Microchip,ALPS,ROHM,Xilinx,Pulse,ON,Everlight and Freescale. Main products comprise IC,Modules,Potentiometer,IC Socket,Relay,Connector.Our parts cover such applications as commercial,industrial, and automotives areas.

We are looking forward to setting up business relationship with you and hope to provide you with the best service and solution. Let us make a better world for our industry!



Contact us

Tel: +86-755-8981 8866 Fax: +86-755-8427 6832

Email & Skype: info@chipsmall.com Web: www.chipsmall.com

Address: A1208, Overseas Decoration Building, #122 Zhenhua RD., Futian, Shenzhen, China



Retaining bracket - SIM-ERSN-HB-MR/MET - 2271510

Please be informed that the data shown in this PDF Document is generated from our Online Catalog. Please find the complete data in the user's documentation. Our General Terms of Use for Downloads are valid (<http://phoenixcontact.com/download>)

Retainer, for miniature relay



Key commercial data

Packing unit	1 pc
Minimum order quantity	10 pc
Weight per Piece (excluding packing)	1.88 GRM
Custom tariff number	85389099
Country of origin	Germany

Technical data

Dimensions

Hole diameter	1.3 mm
Pitch	5 mm

Classifications

eCl@ss

eCl@ss 4.0	27371190
eCl@ss 4.1	27371190
eCl@ss 5.0	27371692
eCl@ss 5.1	27371692
eCl@ss 6.0	27371001
eCl@ss 7.0	27371001
eCl@ss 8.0	27371001

Retaining bracket - SIM-ERSN-HB-MR/MET - 2271510

Classifications

ETIM

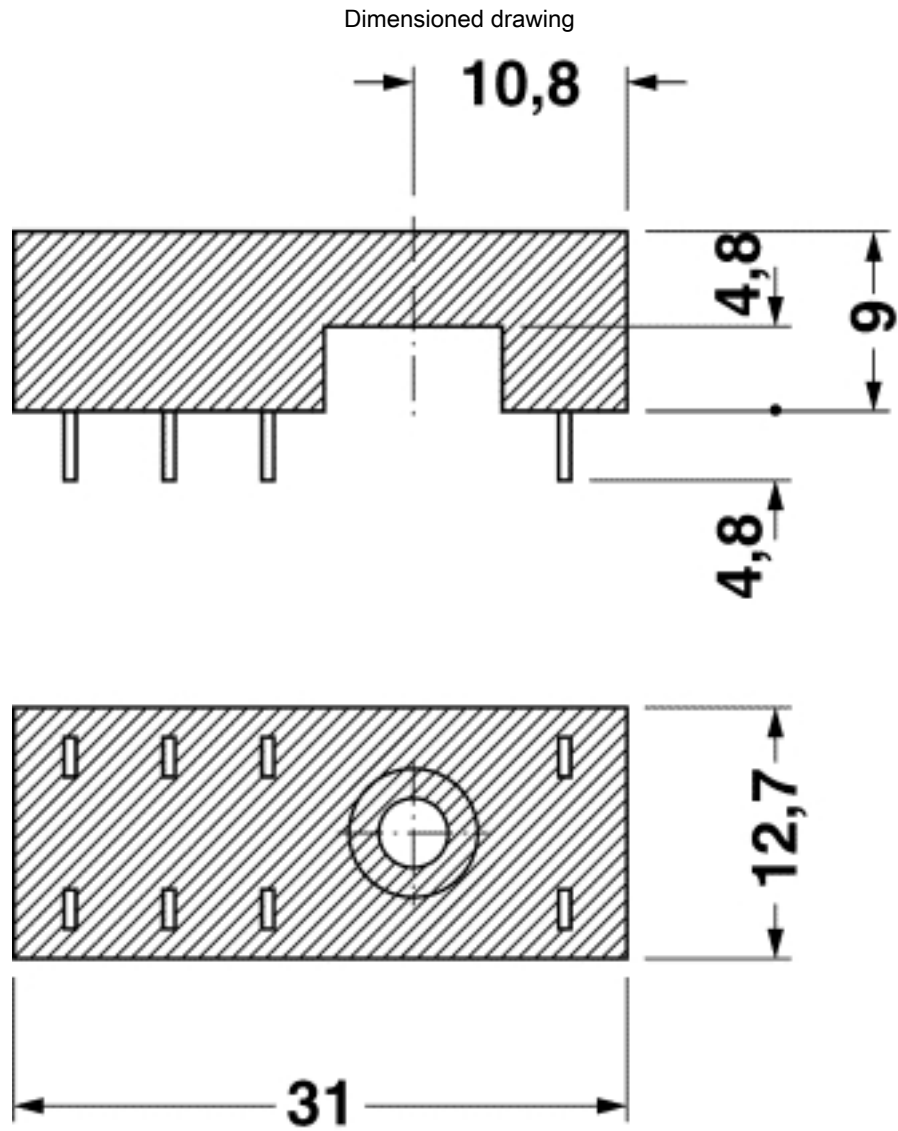
ETIM 2.0	EC000196
ETIM 3.0	EC000196
ETIM 4.0	EC002586
ETIM 5.0	EC002586

UNSPSC

UNSPSC 6.01	30211916
UNSPSC 7.0901	39121515
UNSPSC 11	39121515
UNSPSC 12.01	39121515
UNSPSC 13.2	39121515

Drawings

Retaining bracket - SIM-ERSN-HB-MR/MET - 2271510



Retaining bracket - SIM-ERSN-HB-MR/MET - 2271510

Drilling diagram

