



Chipsmall Limited consists of a professional team with an average of over 10 year of expertise in the distribution of electronic components. Based in Hongkong, we have already established firm and mutual-benefit business relationships with customers from,Europe,America and south Asia,supplying obsolete and hard-to-find components to meet their specific needs.

With the principle of “Quality Parts,Customers Priority,Honest Operation,and Considerate Service”,our business mainly focus on the distribution of electronic components. Line cards we deal with include Microchip,ALPS,ROHM,Xilinx,Pulse,ON,Everlight and Freescale. Main products comprise IC,Modules,Potentiometer,IC Socket,Relay,Connector.Our parts cover such applications as commercial,industrial, and automotives areas.

We are looking forward to setting up business relationship with you and hope to provide you with the best service and solution. Let us make a better world for our industry!



Contact us

Tel: +86-755-8981 8866 Fax: +86-755-8427 6832

Email & Skype: info@chipsmall.com Web: www.chipsmall.com

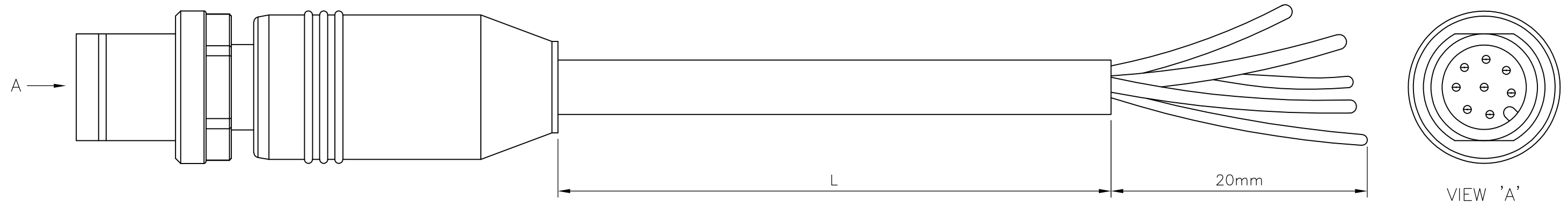
Address: A1208, Overseas Decoration Building, #122 Zhenhua RD., Futian, Shenzhen, China



THIS DRAWING IS UNPUBLISHED. RELEASED FOR PUBLICATION
 © COPYRIGHT - By - ALL RIGHTS RESERVED.

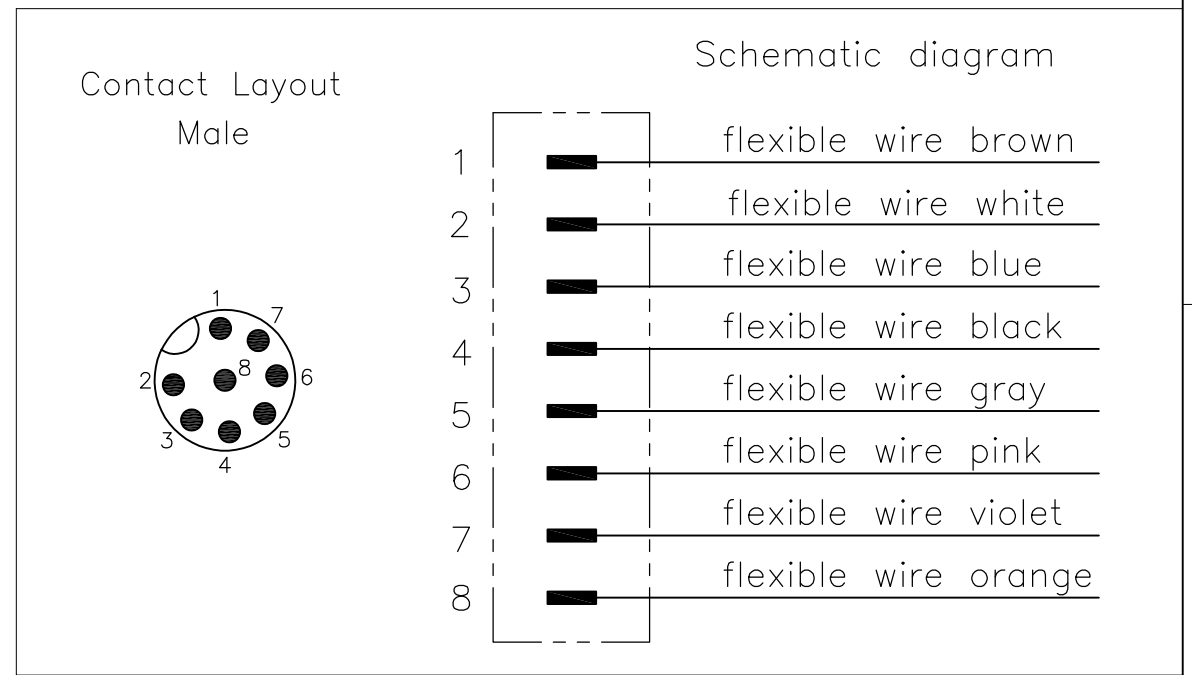
| LOC | DIST | REVISIONS | | | | |
|-----|------|-------------|-----------------|-----------|------|-----|
| P | LTR | DESCRIPTION | DATE | DWN | APVD | |
| H | - | A | INITIAL RELEASE | 15NOV2013 | YC | BvH |
| | | A1 | ECR-14-011671 | 16AUG2014 | GSK | BvH |

NOTES:
 Tolerances cable lengths:
 0m to 0.5m +30mm
 0.5m to 1.0m +50mm
 1.0m to 3.0m +100mm
 < 3.0m +1.5%



| TECHNICAL DATA | |
|-------------------------------|---|
| Operating voltage | max. 30 V AC/DC |
| Operating current per contact | max. 2 A |
| Locking of ports | Screw thread M12 x 1 mm (recommended torque 0.6 Nm) self-securing |
| Protection | IP65 and IP67 when plugged and screwed down (EN 60529) |

| PUR CABLE | |
|----------------------------|-------------------------------------|
| No./diameter of wires | 8 x 0.25 mm ² |
| Wire isolation | PP (br, wh, bl, bk, gr, pk, vi, or) |
| C-track properties | 2 million |
| Jacket | PUR (UL/CSA) |
| Outer diameter | approx. 6.0 mm |
| Bend radius (moving) | 10 x outer diameter |
| Temperature range (fixed) | -40...+80 °C |
| Temperature range (mobile) | -20...+80 °C |



| 8 pos | LENGTH "L" | MATERIAL | JACKET COLOR | TE PN | DESCRIPTION | ITEM |
|-------|------------|----------|--------------|-----------|-------------------|------|
| | 10mtr | PUR | Grey | 2273040-4 | 8x24AWG PUR 10.0m | 4 |
| | 5mtr | | | 2273040-3 | 8x24AWG PUR 5.0m | 3 |
| | 3mtr | | | 2273040-2 | 8x24AWG PUR 3.0m | 2 |
| | 1.5mtr | | | 2273040-1 | 8x24AWG PUR 1.5m | 1 |

| | | | | | |
|--|--|--------------------------------|-------------------------------------|-------------------------------|----------------------|
| THIS DRAWING IS A CONTROLLED DOCUMENT. | | DWN YATHISH.C 15NOV2013 | STE TE Connectivity | | |
| | | CHK B.VELDHOVEN 15NOV2013 | | | |
| | | APVD A.VAN ZANDVOORT 15NOV2013 | NAME M12 X 1.0 STRAIGHT PLUG PIGT A | | |
| DIMENSIONS: mm | | PRODUCT SPEC 108-19483 | RESTRICTED TO | | |
| TOLERANCES UNLESS OTHERWISE SPECIFIED: | | APPLICATION SPEC 114-32127 | SIZE A3 | CAGE CODE 00779 | DRAWING NO C-2273040 |
| MATERIAL - | | FINISH - | WEIGHT - | SCALE NTS SHEET 1 OF 1 REV A1 | |
| CUSTOMER DRAWING | | | | | |