



Chipsmall Limited consists of a professional team with an average of over 10 year of expertise in the distribution of electronic components. Based in Hongkong, we have already established firm and mutual-benefit business relationships with customers from,Europe,America and south Asia,supplying obsolete and hard-to-find components to meet their specific needs.

With the principle of "Quality Parts,Customers Priority,Honest Operation,and Considerate Service",our business mainly focus on the distribution of electronic components. Line cards we deal with include Microchip,ALPS,ROHM,Xilinx,Pulse,ON,Everlight and Freescale. Main products comprise IC,Modules,Potentiometer,IC Socket,Relay,Connector.Our parts cover such applications as commercial,industrial, and automotives areas.

We are looking forward to setting up business relationship with you and hope to provide you with the best service and solution. Let us make a better world for our industry!



Contact us

Tel: +86-755-8981 8866 Fax: +86-755-8427 6832

Email & Skype: info@chipsmall.com Web: www.chipsmall.com

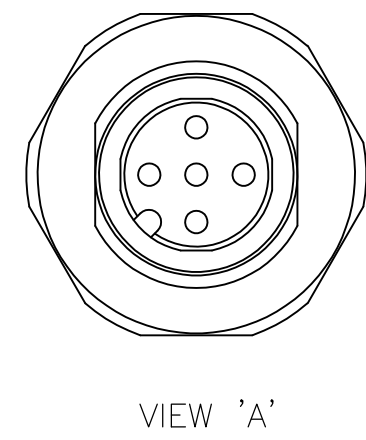
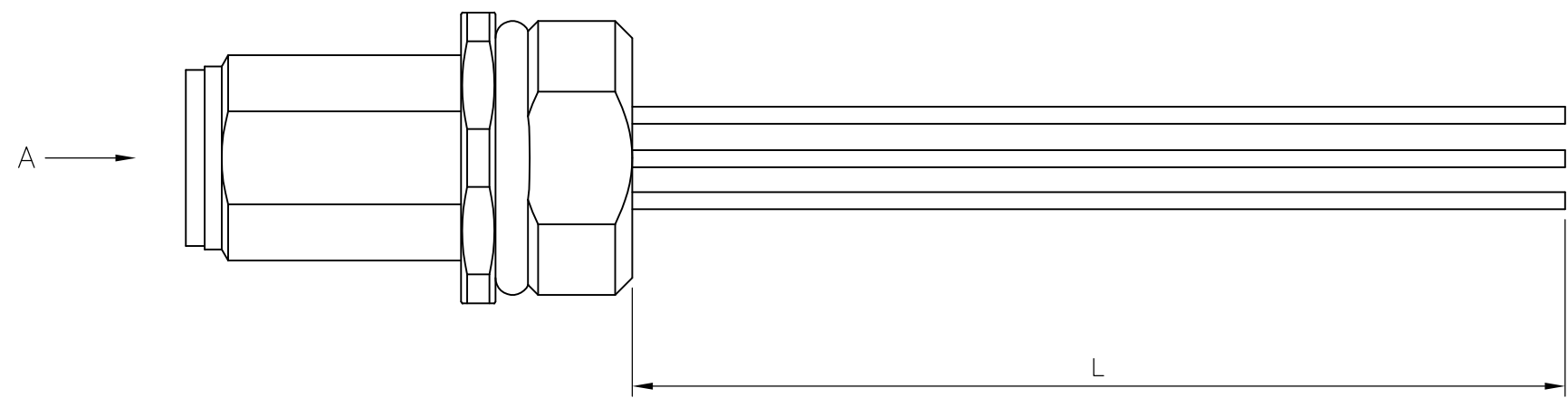
Address: A1208, Overseas Decoration Building, #122 Zhenhua RD., Futian, Shenzhen, China



THIS DRAWING IS UNPUBLISHED. RELEASED FOR PUBLICATION
 © COPYRIGHT - By - ALL RIGHTS RESERVED.

LOC	DIST	REVISIONS					
		P	LTR	DESCRIPTION	DATE	DWN	APVD
H	-		A	INITIAL RELEASE	15NOV2013	YC	BvH
			A1	ECR-14-002932	04MAR2014	YC	BvH
			A2	ECR-15-003371	04MAR2015	GSK	BvH

NOTES:
 Tolerances cable lengths:
 0m to 0.5m +30mm
 0.5m to 1.0m +50mm
 1.0m to 3.0m +100mm
 < 3.0m +1.5%



TECHNICAL DATA	
Operating voltage	max. 125 V AC/DC
Operating current per contact	max. 4 A
Locking of ports	Screw thread M12 x 1 mm (recommended torque 0.6 Nm) self-securing
Protection	IP65 and IP67 when plugged and screwed down (EN 60529)

PUR CABLE	
No./diameter of wires	5 x 0.34 mm ²
Wire isolation	PP (br, wh, bl, bk, gr) (UL/CSA)
C-track properties	
Outer diameter	approx. 3.4 mm
Bend radius (moving)	10 x outer diameter
Temperature range (fixed)	-40...+80 °C

5 pos	0.2mtr	2273052-1	5X22AWG PANELMOUNT 0.2m WIRES	1
	LENGTH "L"	TE PN	DESCRIPTION	ITEM

THIS DRAWING IS A CONTROLLED DOCUMENT.		DWN YATHISH.C 15NOV2013	STE TE Connectivity	
		CHK B.VELDHOVEN 15NOV2013		
		APVD A.VAN ZANDVOORT 15NOV2013	NAME M12 MALE PNL MLD REAR Mt PG9/M16 PIGT A	
DIMENSIONS: mm		PRODUCT SPEC 108-19483		
TOLERANCES UNLESS OTHERWISE SPECIFIED:		APPLICATION SPEC 114-32127		
0 PLC ± - 1 PLC ± - 2 PLC ± - 3 PLC ± - 4 PLC ± - ANGLES ± -		WEIGHT -	SIZE A3	CAGE CODE 00779
MATERIAL -		FINISH -	DRAWING NO C-2273052	RESTRICTED TO -
CUSTOMER DRAWING			SCALE NTS	SHEET 1 OF 1
			REV A2	